

TESLA

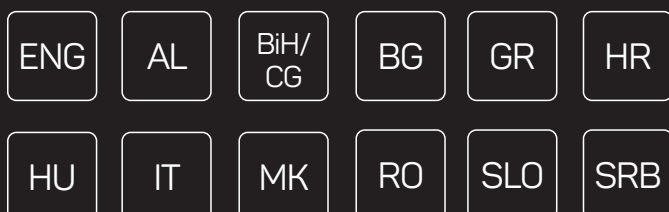
REFRIGERATOR

RD2100ME

RD2100MSE

RD2100MBE

User Manual


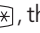





Product images are for illustrative purposes only and may differ from the actual product.

SAFETY WARNINGS



Warning: risk of fire / flammable materials

- THIS appliance is intended to be used in household and similar applications such as staff kitchen areas in shops, offices and other working environments; farm houses and by clients in hotels, motels and other residential type environments; bed and breakfast type environments; catering and similar non-retail applications.
- THIS appliance is not intended for use by persons (including children) with reduced physical, sensory or mental capabilities, or lack of experience and knowledge, unless they have been given supervision or instruction concerning use of the appliance by a person responsible for their safety.)
- Children should be supervised to ensure that they do not play with the appliance.
- IF the supply cord is damaged, it must be replaced by the manufacturer, its service agent or similarly qualified persons in order to avoid a hazard.
- DO not store explosive substances such as aerosol cans with a flammable propellant in this appliance.
- THE appliance has to be unplugged after use and before carrying out user maintenance on the appliance.
- WARNING: Keep ventilation openings, in the appliance enclosure or in the built-in structure, clear of obstruction.
- WARNING: Do not use mechanical devices or other means to accelerate the defrosting process, other than those recommended by the manufacturer.
- WARNING: Do not damage the refrigerant circuit.
- WARNING: Do not use electrical appliances inside the food storage compartments of the appliance, unless they are of the type recommended by the manufacturer.
- WARNING: Please abandon the refrigerator according to local regulators for its use of flammable blowing gas and refrigerant.
- WARNING: When positioning the appliance, ensure the supply cord is not trapped or damaged.
- WARNING: Do not locate multiple portable socket-outlets or portable power supplies at the rear of the appliance.
- DO not use extension cords or ungrounded (two prong) adapters.
- DANGER: Risk of child entrapment. Before you throw away your old refrigerator or freezer:
 - Take off the doors.
 - Leave the shelves in place so that children may not easily climb inside.
- THE refrigerator must be disconnected from the source of electrical supply before attempting the installation of accessory.
- REFRIGERANT and cyclopentane foaming material used for the appliance are flammable. Therefore, when the appliance is scrapped, it shall be kept away from any fire source and be recovered by a special recovering company with corresponding qualification other than be disposed by combustion, so as to prevent damage to the environment or any other harm.
- FOR EN standard: This appliance can be used by children aged from 8 years and above and persons with reduced physical sensory or mental capabilities or lack of experience and knowledge if they have been given supervision or instruction concerning use of the appliance in a safe way and understand the hazards involved. Children shall not play with the appliance. Cleaning and user maintenance shall not be made by children without supervision. Children aged from 3 to 8 years are allowed to load and unload refrigerating appliances.
- TO avoid contamination of food, please respect the following instructions:
 - Opening the door for long periods can cause a significant increase of the temperature in the compartments of the appliance.
 - Clean regularly surfaces that can come in contact with food and accessible drainage systems.
 - Clean water tanks if they have not been used for 48 h; flush the water system connected to a water supply if water has not been drawn for 5 days. (note 1)
 - Store raw meat and fish in suitable containers in the refrigerator, so that it is not in contact with or drip onto other food.
 - Two-star  frozen-food compartments are suitable for storing pre-frozen food, storing or making ice-cream and making ice cubes. (note 2)
 - One , two , three-star  -and four-star  compartments are not suitable for the freezing of fresh food. (note 3)
 - If the refrigerating appliance is left empty for long periods, switch off, defrost, clean, dry, and leave the door open to prevent mould developing within the appliance.
 - For appliances without a 4-star compartment: this refrigerating appliance is not suitable for freezing foodstuffs. (note 4)

Note 1,2,3,4: Please confirm whether it is applicable according to your product compartment type.

- FOR a freestanding appliance: this refrigerating appliance is not intended to be used as a built-in appliance.
- ANY replacement or maintenance of the LED lamps is intended to be made by the manufacturer, its service agent or similar qualified person. The energy efficiency class of the lamp is grade G.

INSTALLATION

Location

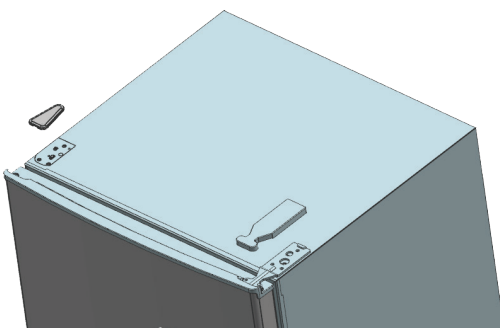
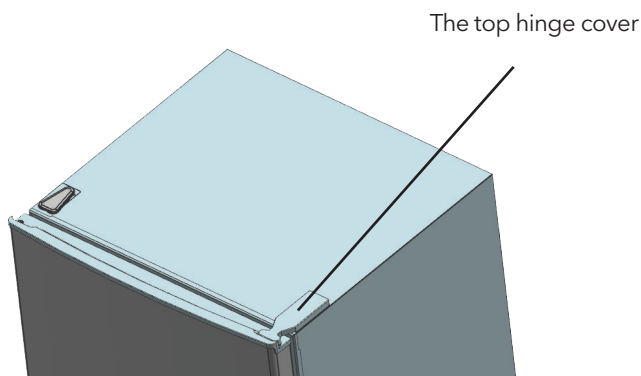
When selecting a position for your unit you should make sure the floor is flat and firm, and the room is well ventilated. Avoid locating your unit near a heat source, e.g. cooker, boiler or radiator. Also avoid direct sunlight as it may increase the electrical consumption. Extreme cold ambient temperatures may also cause the unit not to perform properly. This unit is not

designed for use in a garage or outdoor installation. Do not drape the unit with any covering. When installing the unit, ensure that 10 cm of free space is left at both sides, 10 cm at the rear and 30 cm at the top of the unit. This will allow cold air to circulate around the wine cooler and improve the efficiency of the cooling process.

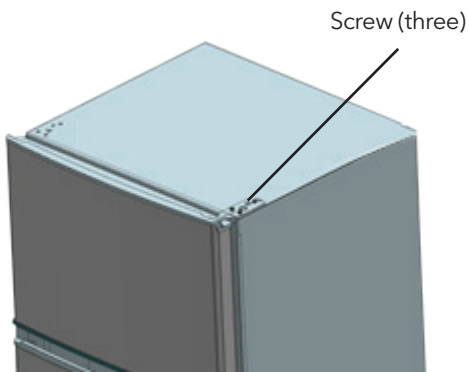
Reversing the Door Swing (optional)

Tools Required: Phillips style screwdriver / Flat blated screwdriver / Hexagonal spanner.

1. Remove the top hinge cover .



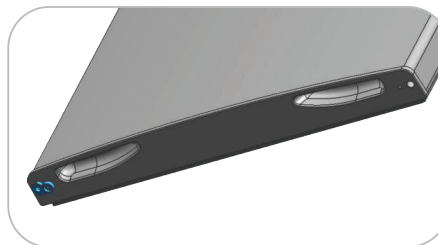
2. Remove the screws fixed the top-hinge with cross-slot screwdriver.



B. Remove the door limit block

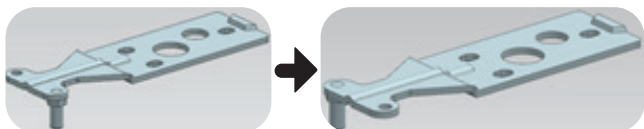


C. Please taking out another door limit block, with screw mounting to the door

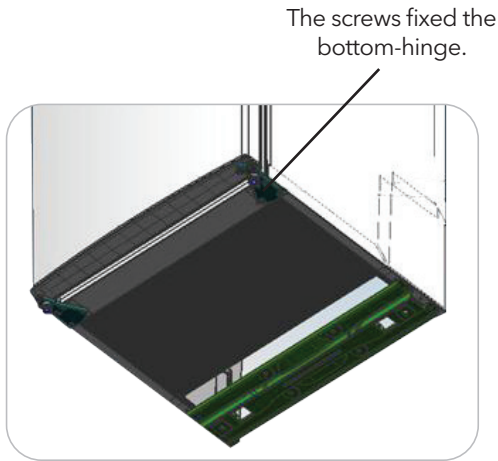


3. Replace the top-hinge and the top-door limit block and the door bearing bush to the other side.

A. Remove the nut with sleeve. Take off the washer then remove the axes to the other side and fixed.

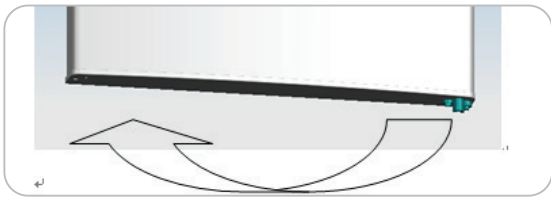


4. Disassemble the screws fixed the bottom-hinge with cross-slot screwdriver.

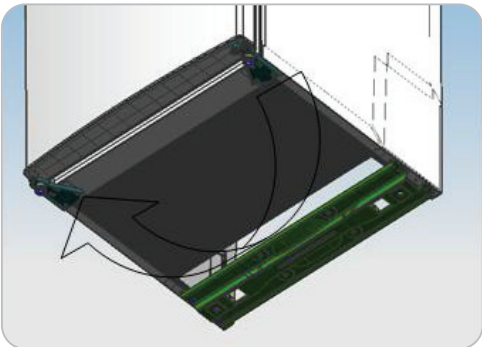


Note: the refrigerator-freezer incline angle less 45°.

5. Replace the bottom door bearing bush and the limit block.



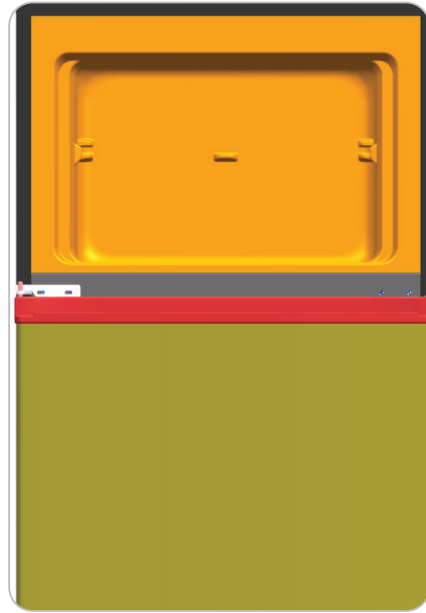
6. Replace the bottom hinge to the other side then fix it with screws.



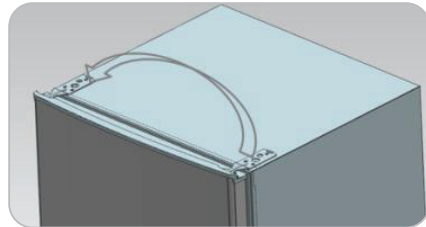
7. Replace the mid-hinge.



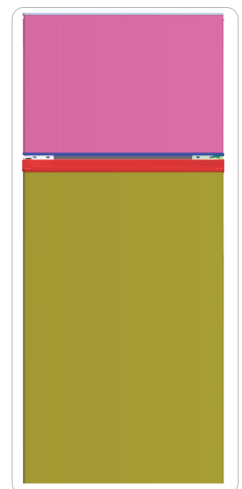
8. Set the bottom door right position, fix the mid-hinge.



9. Replace the top-hinge.

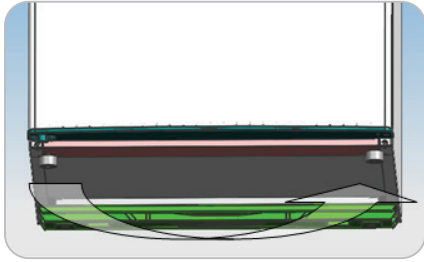


10. Set the top door right position, fix the top-hinge and the cover.



11. Install the four screw caps and two catches to corresponding position.
 - Ensure the Appliance is unplugged and empty.
 - Adjust the two leveling feet to their highest position.
 - We recommend you have someone to assist you.

12. Replace the leveler to the other side and adjust it to make sure the cabinet level.

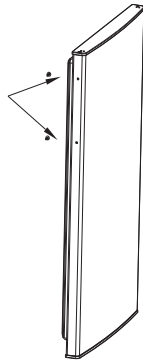


The picture above is only for reference. The actual configuration will depend on the physical product or statement by the distributor

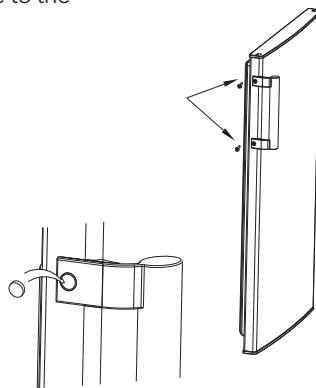
Door Handle Install Illumination (optional)

Note: Figures in the user manual are only for reference. The actual product may differ slightly. The refrigerator must be disconnected from the source of electrical supply before attempting the installation of accessory.

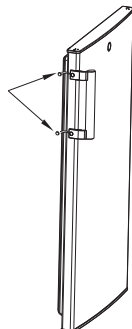
Step 1: take out two plug pins from the door (Side of door open)



Step 2: Install the door handle to the door and fasten it with screws



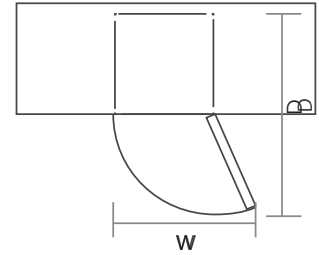
Step 3: Cover screw caps of the handle into screw holes



*The picture above is only for reference. The actual configuration will depend on the physical product or statement by the distributor.

Door Space Requirements

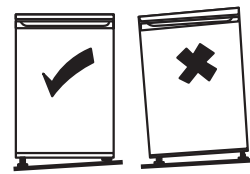
The unit's door must be able to open fully as shown. $W \times D \geq 902 \times 1052 \text{mm}$



Levelling the Unit

To do this adjust the two levelling feet at the front of the unit. If the unit is not level, the door and magnetic seal alignments will not be covered properly.

Make sure that the foot touches the ground before use. Look down from the top, clockwise and counterclockwise loosening, tightening.



Cleaning Before Use

Wipe the inside of the unit with a weak solution of bicarbonate soda. Then rinse with warm water using a 'Wrung-out' sponge or cloth. Wash the shelves and salad bin in warm soapy water and dry completely before replacing in the unit. Clean the exterior of the unit with a damp cloth. If you require more information refer to the Cleaning section.

Before Using Your Unit

Do not damage the power cord under any condition so as to ensure safety use, do not use when the power cord is damaged or the plug is worn.

Do not put flammable, explosive, volatile and highly corrosive items in the refrigerator to prevent damages to the product or fire accidents.

Do not place flammable items near the refrigerator to avoid fires.

This product is household refrigerators and shall be only suitable for the storage of foods. According to national standards, household refrigerators shall not be used for other purposes, such as storage of blood, drugs or biological products.

Do not place items such as bottled or sealed container of fluid such as bottled beers and beverages in the freezer to prevent bursts and other losses.

Before placing any food in your unit, turn it on and wait for 24 hours, to make sure it is working properly and to allow it time to fall to the correct temperature. Your unit should not be overfilled.



• Before Plugging in

You must check that you have a socket which is compatible with the plug supplied with the unit.

• Before Turning On!

Do not turn on until two hours after moving the unit.

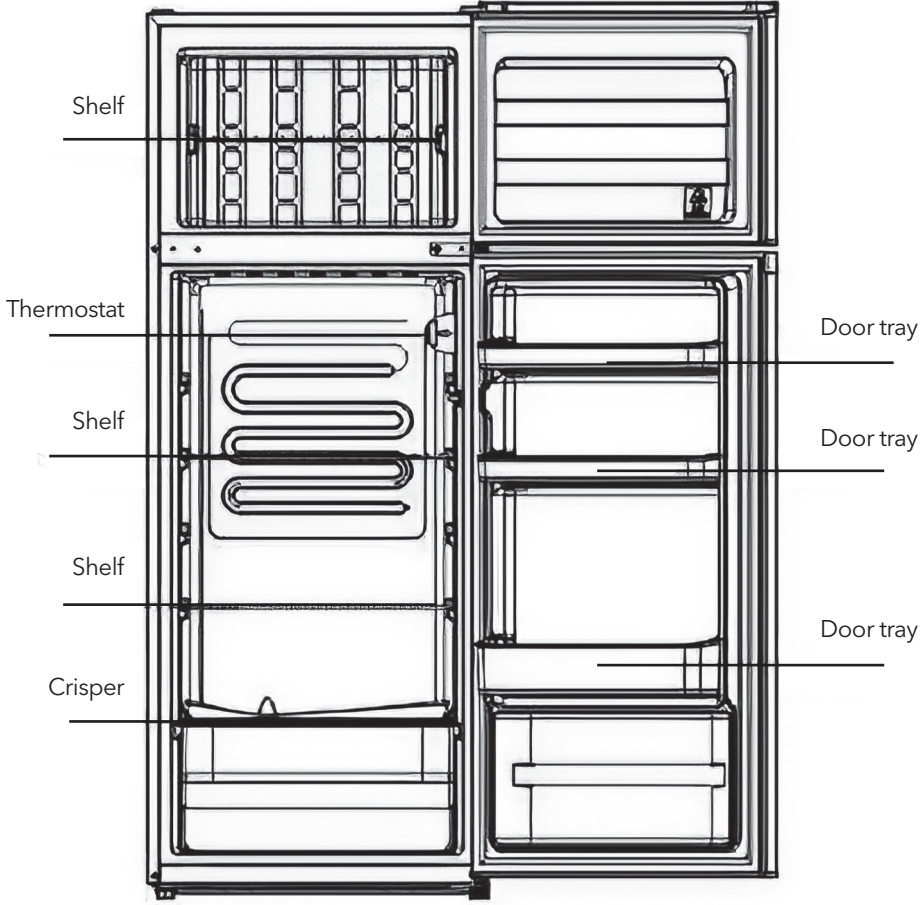
Interior Accessories

Various glass or plastic storage shelves are included with your appliance - different models have different combinations. You should always slide one of the full size glass storage shelves into the lowest set of guides, above the fruit and vegetable containers, and keep it in this position. To do this, pull the storage shelf forward until it can be swivelled upwards or downwards and removed. Please do the same in reverse to insert the shelf at a different height.



In order to make the most of the volume of the fresh food storage compartment and frozen-food storage compartment, the user can remove one or more shelves, drawers, out of the appliance, according to your daily use.

PRODUCT OVERVIEW



Drawers, food boxes, shelves, etc. placed according to the position in the picture above are the most energy efficient.

*The picture above is only for reference. The actual configuration will depend on the physical product or statement by the distributor

OPERATION

Switching On Your Unit

Setting "Off": Unit Off Setting "Min": Less Cool Temperature
Setting "Med" or "MID": Normal Operation (adequate for most situations)
Setting "Max": Coolest Temperature

- During high ambient temperatures e.g. on hot summer days. It may be necessary to set the thermostat to the Coolest setting (position "Max"). This may cause the compressor running continuously in order to maintain a low temperature in the cabinet.
- For the first time you install your refrigerator, set the thermostat knob at "Med". Give your refrigerator time to cool down completely before adding food. It is the best to wait 24 hours before adding food. The thermostat knob controls the temperature. When the thermostat control knob is set to OFF, the refrigerator will not be running.

Noise Inside the Unit!

You may notice that your unit makes some unusual noises. Most of these are perfectly normal, but you should be aware of them!

These noises are caused by the circulation of the refrigerant liquid in the cooling system. It has become more pronounced since the introduction of CFC free gases. This is not a fault

and will not affect the performance of your unit. This is the compressor motor working, as it pumps the refrigerant around the system.

Tips for Keeping Food in the Unit

- Cooked meats/fishes should always be stored on a shelf above raw meats/fishes to avoid bacterial transfer. Keep raw meats/fishes in a container which is large enough to collect juices and cover it properly. Place the container on the lowest shelf.
- Leave space around your food, to allow air to circulate inside the unit. Ensure all parts of the unit are kept cool.
- To prevent transfer of flavours and drying out, pack or cover the food separately. Fruit and vegetables do not need to be wrapped.
- Always let pre-cooked food cool down before you put in the unit. This will help to maintain the internal temperature of the unit.
- To prevent cold air escaping from the unit, try to limit the number of times you open the door. We recommend that you only open the door when you need to put food in or take food out.

Change the Light Bulb

Lamp replacement by professionals

CLEANING

Defrosting

NOTE THIS UNIT DOES NOT HAVE AN AUTO DEFROST SYSTEM.

Please use a plastic ice shovel when clearing the frosting of the evaporator. Do not use metal sharp objects.

Cleaning the Interior and the Exterior of the Unit

- Dusts behind the refrigerator and on the ground shall be timely cleaned to improve the cooling effect and energy saving.
- Check the door gasket regularly to make sure there are no debris. Clean the door gasket with a soft cloth dampened with soapy water or diluted detergent.
- The interior of the refrigerator should be cleaned regularly to avoid odor.
- Please turn off the power before cleaning interior, remove all foods, drinks, shelves, drawers, etc.
- Use a soft cloth or sponge to clean the inside of the refrigerator, with two tablespoons of baking soda and a quart of warm water. Then rinse with water and wipe clean. After cleaning, open the door and let it dry naturally before turning on the power.
- For areas that are difficult to clean in the refrigerator (such as narrow sandwiches, gaps or corners), it is recommended to wipe them regularly with a soft rag, soft brush, etc. and

when necessary, combined with some auxiliary tools (such as thin sticks) to ensure no contaminants or bacterials accumulation in these areas.

- Do not use soap, detergent, scrub powder, spray cleaner, etc., as these may cause odors in the interior of the refrigerator or contaminated food.
- Clean the bottle frame, shelves and drawers with a soft cloth dampened with soapy water or diluted detergent. Dry with a soft cloth or dry naturally.
- Wipe the outer surface of the refrigerator with a soft cloth dampened with soapy water, detergent, etc., and then wipe dry.
- Do not use hard brushes, clean steel balls, wire brushes, abrasives (such as toothpastes), organic solvents (such as alcohol, acetone, banana oil, etc.), boiling water, acid or alkaline items, which may damage the fridge surface and interior. Boiling water and organic solvents such as benzene may deform or damage plastic parts.
- Do not rinse directly with water or other liquids during cleaning to avoid short circuits or affect electrical insulation after immersion.

Cleaning Tips

Condensation may appear on the outside of the unit. This may be due to a change in room temperature. Wipe off any moisture residue. If the problem continues, please contact a qualified technician for assistance.

MAINTENANCE

Changing the Internal Light

Lamp replacement by professionals.

Care When Handling / Moving Your Unit

Hold the unit around its sides or base when moving it. Under no circumstances should it be lifted by holding the edges of the top surface.

Servicing

The unit should be serviced by an authorized engineer and only genuine spare parts should be used. Under

no circumstances should you attempt to repair the unit yourself. Repairs carried out by inexperienced persons may cause injury or serious malfunction. Contact a qualitatively technician.

Switching Of for Long Periods of Time

When the unit is not in use for a long period of time, disconnect it from the mains supply, empty all food and clean the appliance, leaving the door ajar to prevent unpleasant smells.

TROUBLESHOOTING

The following simple issues can be handled by the user. Please call the after-sale service department if the issues are not settled.

Inoperation	Whether the freezer is plugged and connected to power; Low voltage; Failure power or tripping circuit
Odor	Odorous foods should closely wrapped; Whether foods are rotten; Whether the interior shall be cleaned.
Long-term operation of compressor	It is normal that refrigerator operates for longer time in summer when the ambient temperature is higher; Do not put too much food in the freezer at one time; Do not put foods until they are cooled; Frequent opening of refrigerator door.
Illuminating light does not shine	Whether the refrigerator is connected to power, whether the illuminating light is damaged
The refrigerator door cannot be properly closed.	The freezer door is stuck by food packages; Too much food; Tilt refrigerator.
Loud noises	Whether the food is leveled, whether the refrigerator is balanced; Whether the refrigerator parts are properly placed.

Tips

- The refrigerator enclosure may emit heat during operation specially in summer, this is caused by the radiation of the condenser, and it is a normal phenomenon.
- Condensation: condensation phenomenon will be detected on the exterior surface and door seals of the freezer when the ambient humidity is large, this is a normal phenomenon, and the condensation can be wiped away with a dry towel.
- Buzz: Buzz will be generated by running compressor specially when starting up or shutting down.

TIPS FOR ENERGY SAVING


Warning for energy

1. Refrigerating appliances might not operate consistently (possibility of defrosting of contents or temperature becoming too warm in the frozen food compartment) when sited for an extended period of time below the cold end of the range of temperatures for which the refrigerating appliance is designed.
2. The fact that effervescent drinks should not be stored in food freezer compartments or cabinets or in low-temperature compartments or cabinets, and that some products such as water ices should not be consumed too cold;
3. The need to not exceed the storage time(s) recommended by the food manufacturers for any kind of food and particularly for commercially quick-frozen food in food-freezer and frozen-food storage compartments or cabinets;
4. The precautions necessary to prevent an undue rise in the temperature of the frozen food while defrosting the refrigerating appliance, such as wrapping the frozen food in several layers of newspaper.
5. The fact that a rise in temperature of the frozen food during manual defrosting, maintenance or cleaning could

- shorten the storage life.
6. The necessity that, for doors or lids fitted with locks and keys, the keys be kept out of the reach of children and not in the vicinity of the refrigerating appliance, in order to prevent children from being locked inside.
 7. Opening the door for long periods can cause a significant increase of the temperature in the compartments of the appliance.
 8. Clean regularly surfaces that can come in contact with food and accessible drainage systems.
 9. Clean water tanks if they have not been used for 48 h; flush the water system connected to a water supply if water has not been drawn for 5 days.
 10. Store raw meat and fish in suitable containers in the refrigerator, so that it is not in contact with or drip onto other food.
 11. If the refrigerating appliance is left empty for long periods, switch off, defrost, clean, dry, and leave the door open to prevent mould developing within the appliance.

DISPOSAL

Old units still have some residual value. An environmentally friendly method of disposal will ensure that valuable raw materials can be recovered and used again. The refrigerant used in your unit and insulation materials require special disposal procedures. Ensure that none of the pipes on the back of the unit are damaged prior to disposal. Up to date information concerning options of disposing of your old unit and packaging from the new one can be obtained from your local council office. When disposing of an old unit break of any old locks or latches and remove the door as a safeguard.

Correct Disposal of this product	
	<p>Correct Disposal of this product</p> <p>This marking indicates that this product should not be disposed with other household wastes throughout the EU. To prevent possible harm to the environment or human health from uncontrolled waste disposal, recycle it responsibly to promote the sustainable reuse of material resources. To return your used device, please use the return and collection systems or contact the retailer where the product was purchased. They can take this product for environmental safe recycling.</p>

For more information, please contact the local authority or your retailer where you purchased the product.

Table 1 Climate classes

Class	Symbol	Ambient temperature range °C
Extended temperate	SN	+10 to +32
Temperate	N	+ 16 to +32
Subtropical	ST	+16 to + 38
Tropical	T	+ 16 to + 43

Extended temperate: 'this refrigerating appliance is intended to be used at ambient temperatures ranging from 10 °C to 32 °C';
 temperate: 'this refrigerating appliance is intended to be used at ambient temperatures ranging from 16 °C to 32 °C';
 Subtropical: 'this refrigerating appliance is intended to be used at ambient temperatures ranging from 16 °C to 38 °C';
 Tropical: 'this refrigerating appliance is intended to be used at ambient temperatures ranging from 16 °C to 43 °C';

PARALAJMËRIME TË SIGURISË



Paralajmërim: rrezik zjarri / materiale të ndezshme

- KJO pajisje është menduar për përdorim në amvisëri dhe mjedise të ngjashme si kuzhinat e punonjësve në dyqane, zyra dhe ambiente të tjera pune, amvisëri bujqësore dhe hotele, motele dhe objekte të tjera të tipit rezidencial, ku vihen në përdorim nga klientët; ambiente që ofrojnë një natë me mëngjes; catering dhe për qëllime të ngjashme jo shitje.
 - Kjo pajisje NUK synohet të përdoret nga persona (përfshirë fëmijët) me aftësi të reduktuara fizike, shqisore ose mendore, ose me mungesë përvoja dhe njohuri, përveç rasteve kur ata janë nën mbikëqyrjen e një personi përgjegjës për sigurinë e tyre ose nëse personi në fjalë ka u dha atyre një shpjegim në lidhje me përdorimin e pajisjes.
 - Fëmijët duhet të mbikëqyren për t'u siguruar që të mos luajnë me pajisjen.
 - NËSE kordoni i rrymës është i dëmtuar, ai duhet të zëvendësohet nga shitësi, një agjent shërbimi i autorizuar ose një person i kualifikuar në mënyrë të ngjashme për të shmangur një rrezik.
 - MOS ruani substanca shpërthyes në këtë pajisje, të tilla si kanaçe aerosol me gaz të ngjeshur të ndezshëm.
 - Është e nevojshme ta shkëputni PAJISJEN nga priza pas përdorimit dhe përpara mirëmbajtjes së përdoruesit.
 - PARALAJMËRIM: Kujdesuni që vrimat e ventilimit të mos bllokohen brenda pjesës së instalimit ose në strukturën e instalimit të pajisjes.
 - PARALAJMËRIM: Mos përdorni mjete mekanike ose procedura të tjera për të përsheptuar procesin e shkrirjes, përveç nëse rekomandohet nga prodhuesi.
 - PARALAJMËRIM: Mos e dëmtoni instalimin e ftohësit.
 - PARALAJMËRIM: Mos përdorni pajisje elektrike brenda dhomës së ruajtjes së ushqimit të kësaj pajisjeje, me përjashtim të llojeve të pajisjeve të rekomanduara nga prodhuesi.
 - PARALAJMËRIM: Ruajeni frigoriferin në përputhje me rregulloret lokale sepse për funksionimin e tij përdoren gaz të ekspozuar ndaj ndezshëm dhe ftohës.
 - PARALAJMËRIM: Kur konfiguroni pajisjen, kontrolloni nëse kordoni i rrymës është i mbërthyer ose i dëmtuar.
 - PARALAJMËRIM: Mos instaloni kablllo zgjatuese me shumë priza ose bateri portative pas pajisjes.
 - Mos përdorni kordona zgjatues ose përshtatës pa tokëzim (me dy krahë).
 - RREZIK: Rreziku i bllokimit të fëmijëve brenda pajisjes Përpara se të hiqni frigoriferin ose ngrirësin tuaj të vjetër:
 - Nxirre derën.
 - Lëri raftet brenda pajisjes në mënyrë që fëmijët të mos futen lehtësisht brenda.
 - PARA fillimit të instalimit të ndonjë elementi shtesë, frigoriferi duhet të shkëputet nga burimi i energjisë.
 - FTOHËSI dhe agjenti shkumues i ciklopentanit të përdorur në frigorifer janë të ndezshëm.
 - Prandaj, kur e hiqni frigoriferin, mbajeni larg burimeve të flakës dhe në vend që ta hiqni duke e djegur, t'ia dorëzojë një kompanie të kualifikuar riciklimi me kualifikimet e duhura për të parandaluar ripërdorimin e tij, duke parandaluar kështu efektet e dëmshme në mjedis ose rreziqe të tjera.
 - Standardi FOR EN: Kjo pajisje mund të përdoret nga fëmijët e moshës 8 vjeç e lart dhe personat me aftësi të reduktuara fizike-shqisore ose mendore ose me mungesë përvoja dhe njohuri, nëse ata mbikëqyren ose udhëzohen për përdorimin e sigurt të pajisjes dhe kuptojnë rreziku i përdorimit të tij Fëmijët nuk duhet të luajnë me pajisjen. Fëmijët nuk duhet të kryejnë pastrimin dhe mirëmbajtjen e pajisjes pa mbikëqyrje. Fëmijët e moshës 3 deri në 8 vjeç mund të vendosin ushqim ose ta nxjerrin atë nga pajisja ftohëse.
 - PËR të shmangur kontaminimin e ushqimit, zbatoni udhëzimet e mëposhtme:
 - Mbajtja e derës së pajisjes hapur për një kohë të gjatë mund të çojë në një rritje të papritur të temperaturës në pjesët e brendshme të pajisjes.
 - Pastrim i rregullt i sipërfaqeve që mund të vijnë në kontakt me ushqimin, si dhe pjesëve të aksesueshme të sistemit të kullimit.
 - Pastroni enët e ujit nëse nuk i keni përdorur për një periudhë prej 48 orësh; nëse nuk keni marrë ujë nga pajisja për një periudhë prej 5 ditësh, shpëlajeni sistemin e rrjedhës së ujit të lidhur me furnizimin me ujë (shënimi 1)
 - Ruani mishin dhe peshkun e papërpunuar në frigorifer në enë të përshtatshme, në mënyrë që të mos bie në kontakt me ushqime të tjera ose që të mos pikojë mbi pjesën tjetër të ushqimit.
 - Ndarjet e ushqimeve të ngrira të shënuara me dy yje ☒☒ ato janë të përshtatshme për ruajtjen e ushqimeve të ngrira paraprakisht, mbajtjen ose përgatitjen e akullores dhe prodhimin e kubeve të akullit. (shënimi 2)
 - Pjesët e shënuara me një ☒-, dy ☒☒-, tre ☒☒☒- ose katër ☒☒☒☒ yje nuk janë të përshtatshme për ngrirjen e ushqimeve të freskëta. (shënimi 3)
 - Nëse pajisja ftohëse duhet të lihet bosh për një periudhë të gjatë kohore, fikeni, shkruini, pastroni dhe thajeni dhe më pas lëreni derën e pajisjes të hapur për të parandaluar rritjen e mykut brenda pajisjes.
 - Për pajisjet që nuk kanë një ndarje të shënuar me katër yje: kjo pajisje ftohëse nuk është e përshtatshme për ngrirjen e ushqimeve. (shënimi 4)
- Shënimet 1, 2, 3, 4: Kontrolloni nëse informacioni i dhënë është i zbatueshëm për llojet e pjesëve të produktit tuaj.
- PËR PAJISJE TË VETËM: Kjo pajisje ftohëse nuk është menduar të përdoret si pajisje e integruar.
 - Çdo zëvendësim ose mirëmbajtje e llambave LED synohet të kryhet nga prodhuesi, agjenti i tij i autorizuar i shërbimit ose një person me kualifikime të ngjashme. Llamba i përket klasës së efikasitetit të energjisë G.

INSTALIMI

Vendndodhja

Kur zgjidhni një vend për pajisjen tuaj, sigurohuni që sipërfaqja të jetë e sheshtë dhe e fortë dhe që ajrimi në dhomë të jetë i mirë. Shmangni vendosjen e pajisjes pranë burimeve të nxehtësisë, p.sh. soba, ngrohës uji ose radiatorë. Gjithashtu, shmangni ekspozimin e drejtpërdrejtë në diell, pasi kjo mund të çojë në rritjen e konsumit të energjisë elektrike. Temperaturat jashtëzakonisht të ulëta të dhomës mund të shkaktojnë gjithashtu mosfunksionim të pajisjes.

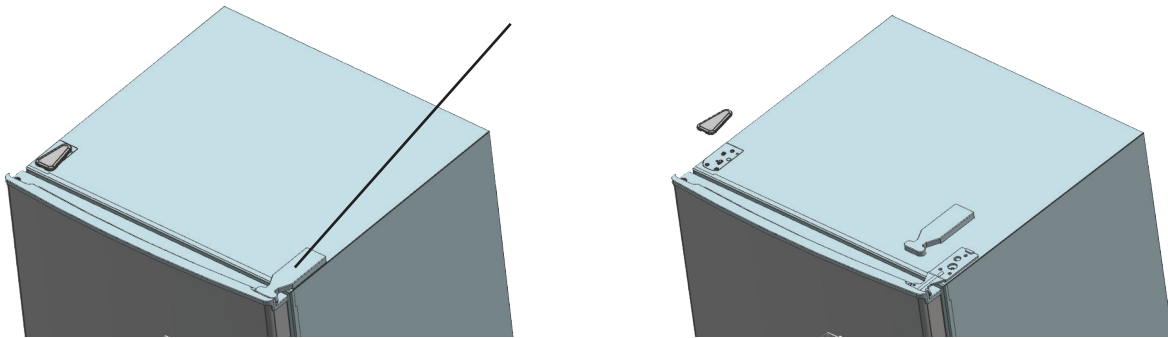
Kjo pajisje nuk është menduar për përdorim në garazhe, as për instalim në natyrë. Mos e mbuloni pajisjen. Gjatë instalimit, sigurohuni që të lihet një distancë prej 10 cm në të dy anët e pajisjes, si dhe 10 cm nga pjesa e pasme dhe 30 cm nga sipërfaqja e sipërme e pajisjes. Në këtë mënyrë do të mundësoni qarkullimin e ajrit të ftohtë rreth vitrinave të verës dhe do të përmirësoni efikasitetin e procedurës së ftohjes.

Ndryshimi i drejtimit të hapjes së derës (opsionale)

Mjetet e nevojshme: Kaçavidë Phillips / kaçavidë e sheshtë / çelësi gjashtëkëndor

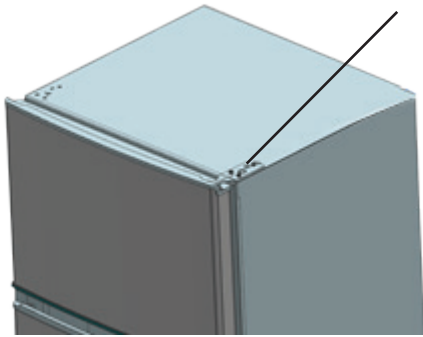
1. Hiqni kapakun e menteshës së sipërme.

Mbulesa e menteshës së sipërme

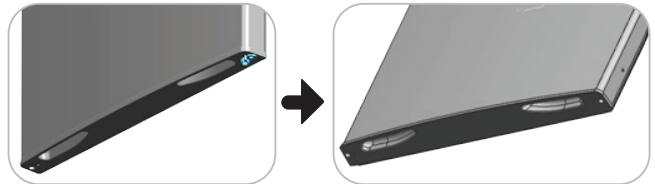


2. Duke përdorur një kaçavidë Phillips, hiqni vidhat që fiksojnë menteshën e sipërme.

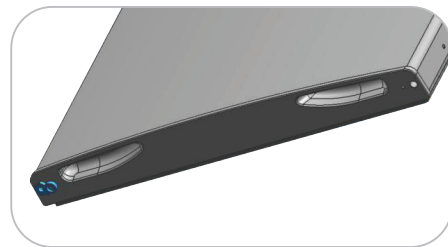
Vidë (tre)



B. Hiqni ndalesën e derës

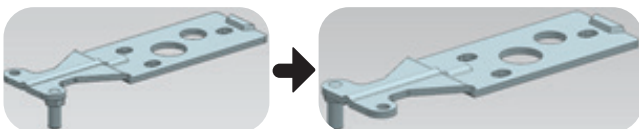


C. Ju lutemi përgatitni rojen tjetër kufitare dhe fiksoni në derë me vida.



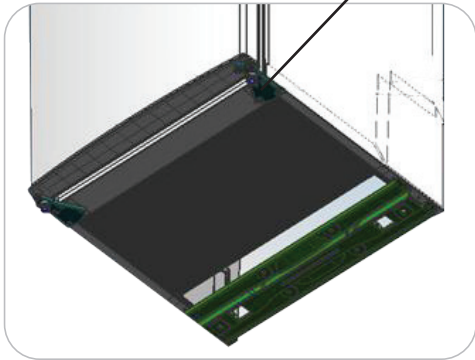
3. Lëvizni menteshën e sipërme dhe kufirin e sipërm të derës, si dhe mbajtësin e derës në anën tjetër.

A. Hiqni arrën me zgarë. Hiqni rrotalet, më pas zhvendoseni boshtin në anën tjetër dhe sigurojeni.



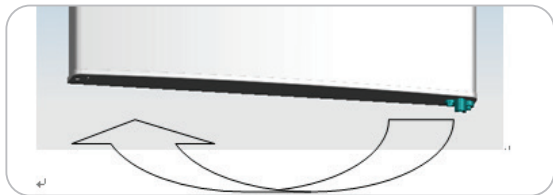
4. Hiqni vidhat që fiksojnë menteshën e poshtme duke përdorur një kaçavidë Phillips.

Vida me të cilat është ngjitur mentesha e poshtme.

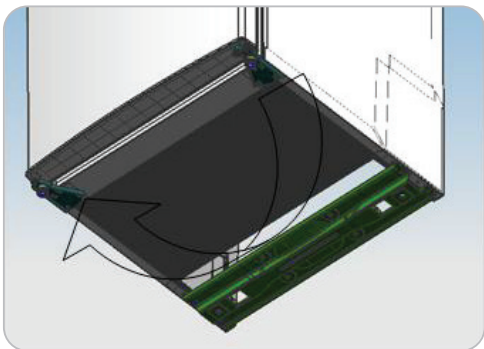


Shënim: këndi i prirjes së frigorifer-frigoriferit është më i vogël se 45°.

5. Ndryshoni anën e kllapës së poshtme të derës dhe ndaloni.



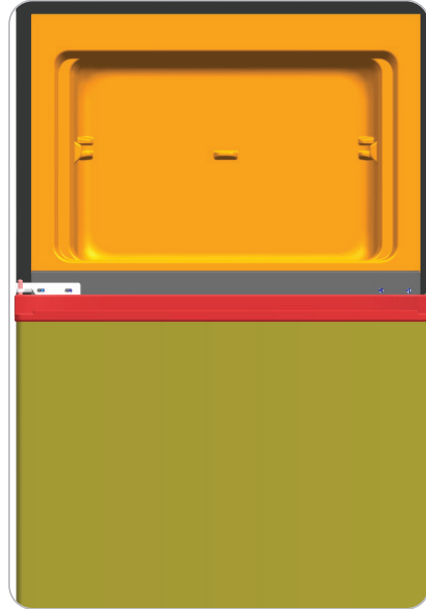
6. Zhvendoseni menteshën e poshtme në anën tjetër dhe fiksoni me vida.



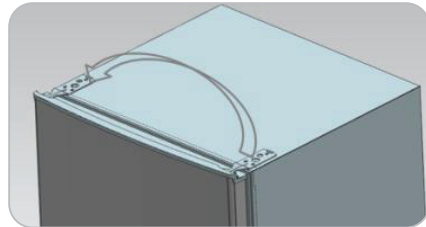
7. Lëvizni menteshën qendrore.



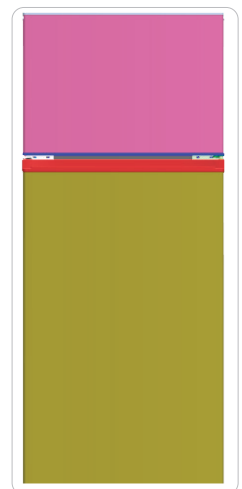
8. Vendoseni derën e poshtme në pozicionin e duhur, lidhni menteshën qendrore.



9. Lëvizni menteshën e sipërme.

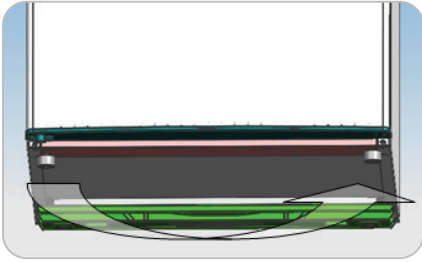


10. Vendoseni derën e sipërme në pozicionin e duhur, lidhni menteshën e sipërme dhe kapakun.



11. Vendosni katër skedat e vidhave dhe dy shulat në vend.
 - Sigurohuni që pajisja të jetë shkëputur dhe shkarkuar nga priza.
 - Vendosni dy këmbët e nivelimit në pozicionin më të lartë.
 - Ne ju rekomandojmë që të mos e bëni këtë vetëm.

12. Kaloni niveluesin në anën tjetër dhe sigurohuni që pajisja të jetë në nivel.

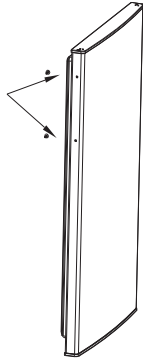


Imazhi i mësipërm është paraqitur vetëm për qëllime ilustruese. Konfigurimi aktual do të varet nga vetë pajisja ose deklaratat e shpërndarësit.

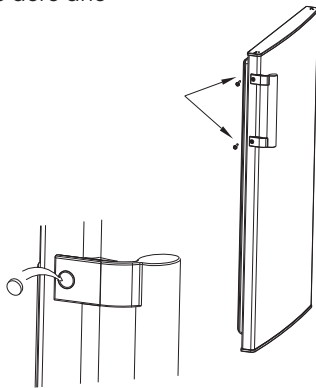
Instalimi i një doreze dere në pajisje (opsionale)

Shënim: Imazhet në këtë udhëzues janë vetëm për qëllime ilustruese. Produkti aktual mund të ndryshojë pak. Pajisja duhet të shkëputet nga furnizimi me energji elektrike përpara instalimit të elementeve shoqëruese.

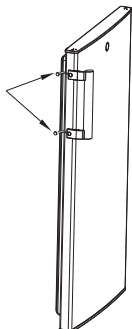
Hapi 1: Hiqni dy kunjat (në anën e derës së hapur)



Hapi 2: Vendosni dorezën në derë dhe sigurojeni me vida



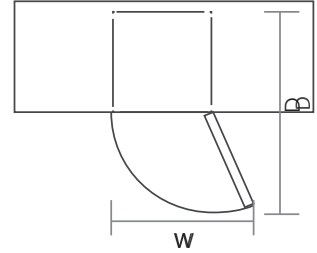
Hapi 3: Vendosni skedat e vidhave të dorezës kushinetat e vidhave



*Imazhi i mësipërm është paraqitur vetëm për qëllime ilustruese. Konfigurimi aktual do të varet nga vetë pajisja ose deklaratat e shpërndarësit.

Kërkohet hapësira e derës

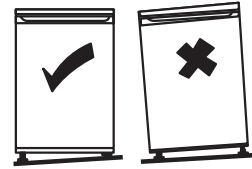
Është e nevojshme të lini hapësirë të mjaftueshme për të hapur plotësisht derën e pajisjes siç tregohet në foto. $W \times D \geq 902 \times 1052 \text{mm}$



Nivelimi i pajisjes

Bëhet duke rregulluar dy këmbët niveluese, të cilat ndodhen në pjesën e përparme të pajisjes. Nëse njësia nuk është e niveluar, dera dhe garnicioni magnetik nuk do të bashkohen siç duhet.

Para përdorimit, kontrolloni që këmbët të prekin dyshtemenë. Shikuar nga lart, rrotullojeni në drejtim të akrepave të orës ose në të kundërt për t'u liruar ose shtrënguar.



Pastrimi para përdorimit

Fshijeni pjesën e brendshme të pajisjes me një zgjidhje të dobët sode buke. Më pas shpëlajeni me ujë të ngrohtë duke përdorur një sfunjjer ose një leckë të dredhur. Lani raftet dhe ndarjen e sallatës në ujë të ngrohtë dhe me sapun dhe thajini plotësisht përpara se t'i vendosni sërish në pajisje. Pastroni pjesën e jashtme të pajisjes me një leckë të lagur. Nëse keni nevojë për më shumë informacion, shihni seksionin Pastrimi.

Përpara përdorimit të pajisjes

Për të garantuar sigurinë gjatë përdorimit, në asnjë rrethanë mos e dëmtoni kordonin e rrymës dhe mos e përdorni pajisjen nëse kordoni është i dëmtuar ose spina është e konsumuar. Për të parandaluar dëmtimin ose zjarrin e produktit, mos vendosni në frigorifer sende të ndezshme, shpërthyes, me avull ose që gërryhen lehtësisht. Për të shmangur zjarrin, mos vendosni objekte të ndezshme pranë frigoriferit.

Ky produkt është një frigorifer i destinuar për përdorim shtëpiak dhe është i përshtatshëm vetëm për ruajtjen e ushqimeve. Sipas standardeve kombëtare, frigoriferët e destinuar për përdorim shtëpiak nuk duhet të përdoren për asnjë qëllim tjetër, siç është ruajtja e gjakut, ilaçeve ose produkteve biologjike.

Mos vendosni objekte të tilla si lëngje në një shishe ose në enë të mbyllura, si birra ose pije në shishe, në frigorifer, për të shmangur plasjen e tyre dhe dëmtime të tjera.

Përpara se të vendosni ndonjë ushqim në pajisje, ndizeni atë dhe prisni 24 orë për t'u siguruar që po funksionon siç duhet dhe për t'i dhënë kohë të mjaftueshme për të temperaturat e bjerë në vlerat e duhura. Pajisja nuk duhet të mbingarkohet.



• Përpara se të lidheni me furnizimin me energji elektrike

Duhet të kontrolloni nëse ka një prizë që është e përputhshme me spinën e dhënë me pajisjen.

• Përpara se të ndizni pajisjen!

Mos e ndizni pajisjen për të paktën dy orë pas transferimit të saj.

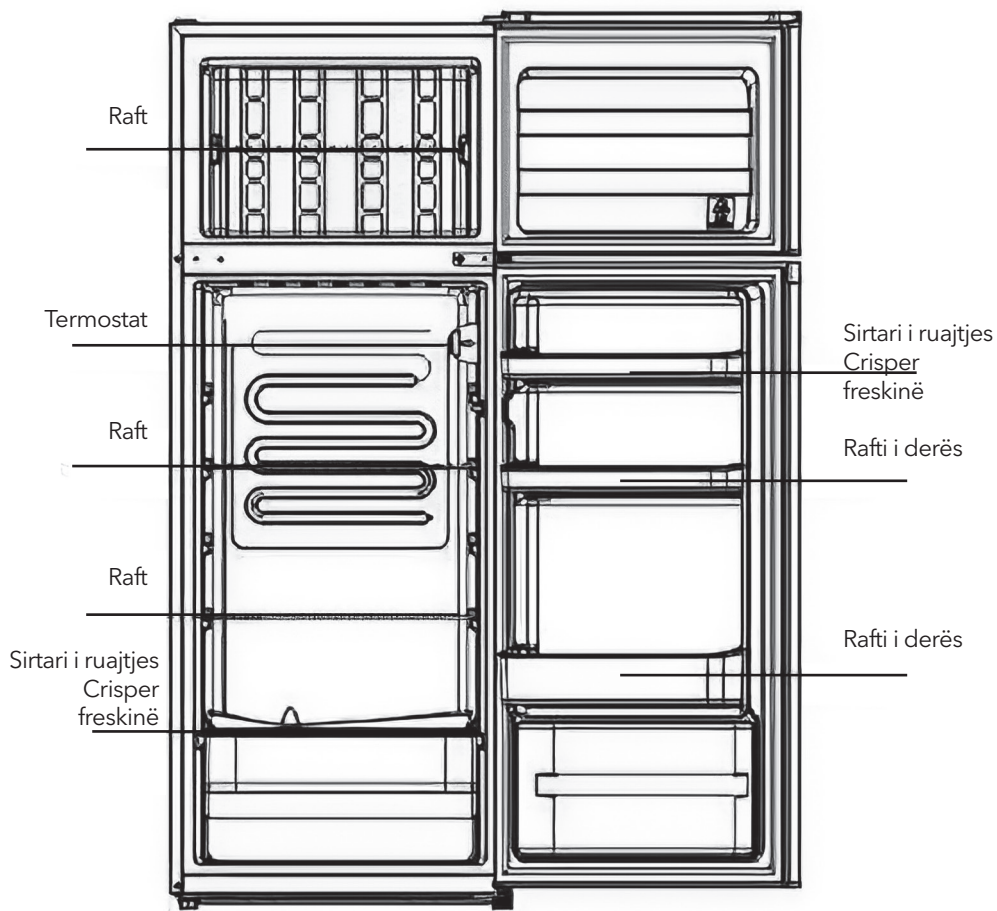
Elementet shoqëruese të brendshme

Pajisja juaj përmban një sërë raftesh magazinimi prej qelqi ose plastike - kombinimet ndryshojnë sipas modelit. Një nga raftet e ruajtjes së qelqit, i cili zë të gjithë sipërfaqen e pajisjes, duhet të rrëshqasë gjithmonë në nivelin më të ulët, mbi ndarjen e frutave dhe perimeve dhe të lihet aty. Bëjeni këtë duke e tërhequr raftin e ruajtjes përpara, derisa një pozicion në të cilin mund të rrotullohet lart ose poshtë dhe të hiqet. Për të vendosur raftin në një lartësi të ndryshme, ndiqni hapat e mësipërm në rend të kundërt.



Për të shfrytëzuar sa më shumë hapësirën në ndarjen për ruajtjen e ushqimeve të freskëta dhe në ndarjen për ruajtjen e ushqimeve të ngrira, mund të hiqni një ose më shumë rafte dhe sirtarë nga pajisja, në varësi të nevojave tuaja ditore.

SHPALLJA E PRODUKTIT



Shtrirja e sirtarit, kutia e ruajtjes së ushqimit, rafti, etj. i organizuar sipas imazhit të mësipërm, kontribuon më së shumti në efikasitetin energjetik të pajisjes.

*Imazhi i mësipërm është paraqitur vetëm për qëllime ilustruese. Konfigurimi aktual do të varet nga vetë pajisja ose deklaratat e shpërndarësit.

FUNKSIONIMI I PAJISJES

Duke ndezur pajisjen

Vendosja në "Off": Pajisja është e fikur Cilësimi në "Min": Më pak fuqi ftohëse

Vendosja në "Med" ose "MID": Funkcionim normal (i përshtatshëm në shumicën e situatave. Cilësimi "Max": Ftohja më e forte

- Në temperatura të larta të dhomës, p.sh. gjatë ditëve të nxehta të verës, mund të jetë e nevojshme të vendosni termostatit në ftohjen më të fortë (pozicioni "Max"). Kjo mund të çojë në funksionimin e vazhdueshëm të kompresorit për të mbajtur një temperaturë të ulët në pajisje.
- Gjatë konfigurimit fillestar të pajisjes, vendosni çelësin e termostatit në "Med". Përpara se të filloni të shtoni ushqim, lëreni frigoriferin të ftohet plotësisht. Është mirë të prisni 24 orë para se të vendosni ushqimin në frigorifer. Temperatura kontrollohet me butonin e termostatit.

Zhurma brenda pajisjes!

Mund të vëreni se pajisja juaj lëshon disa tinguj të pazakontë.

Shumica e zhurmave të përmendura janë normale, por ju duhet të jeni të vetëdijshëm për to!

Tingujt shfaqen kur ftohësi i lëngshëm qarkullon brenda

PASTRIMI

Shkrirja

JU LUTEM KUJDES SE KJO PAJISJE NUK KA NJË SISTEM AUTOMATIKO SHKRIRJES.

Kur hiqni akullin nga avulluesi, përdorni një shpatull plastike për të hequr akullin. Mos përdorni objekte metalike të mprehta.

Pastrimi i pjesës së brendshme dhe të jashtme të njesisë

- Për të përmirësuar efektin e ftohjes dhe për të kursyer energji, pastroni rregullisht pluhurin pas frigoriferit dhe bazës.
- Kontrolloni rregullisht vulën e derës për t'u siguruar që nuk ka papastërti mbi të. Pastroni vulën e derës me një leckë të butë të lagur me ujë me sapun ose detergjent të holluar.
- Për të shmangur aromat e pakëndshme, pastroni rregullisht pjesën e brendshme të frigoriferit.
- Përpara se të filloni të pastroni pjesën e brendshme të frigoriferit, shkëputeni nga priza, hiqni të gjitha ushqimet, pijet, raftet, sirtarët etj.
- Për të pastruar pjesën e brendshme të frigoriferit, përdorni një leckë të butë ose sfungjer me dy lugë gjelle sodë buke dhe një çerek litër ujë të ngrohtë. Më pas shpëlajeni me ujë dhe fshijeni të thatë. Pas pastrimit, hapeni derën dhe lëreni të thahet natyrshëm përpara se të ndizni pajisjen.
- Për pastrimin e pjesëve të vështira për t'u arritur të frigoriferit (si hapjet, hapjet ose qoshet e ngushta),

sistemit të ftohjes. Kjo është një fenomen më i theksuar pas futjes së gazrave që nuk përmbajnë klorofluorokarbone (CFC). Ky nuk është një gabim dhe nuk ka asnjë për të ndikuar në funksionimin e pajisjes tuaj. Ky është tingulli i motorit të kompresorit që funksionon ndërsa pompon ftohësin nëpër sistem.

Këshilla për ruajtjen e ushqimit në pajisje

- Mishi/peshku i gatuar duhet të ruhet gjithmonë në raftin sipër mishit/peshkut të papërpunuar për të shmangur përhapjen e bakteve. Mbani mishin/peshkun e papërpunuar në një enë mjaft të madhe për të mbajtur lëngjet e mishit. Mbulojeni tasin në përputhje me rrethanat dhe vendoseni në raftin më të ulët.
- Lini një distancë midis ushqimit për të lejuar që ajri të qarkullojë në pajisje. Sigurohuni që të gjitha pjesët e pajisjes të jenë ftohur.
- Për të parandaluar kalimin e aromave dhe tharjen, paketoni ushqimin veç e veç ose mbulojeni. Frutat dhe perimet nuk kanë nevojë të mbështillen.
- Ushqimi që është përpunuar më parë termikisht duhet të lihet gjithmonë të ftohet përpara se të futet në pajisje. Në këtë mënyrë ju ndihmoni në ruajtjen e temperaturës së brendshme të pajisjes.
- Për të parandaluar humbjen e ajrit të ftohtë nga pajisja, përpiquni të kufizoni numrin e hapjeve të dyerve. Ne ju rekomandojmë që të hapni derën vetëm kur është e nevojshme të futni ose nxirrni ushqimin.

Ndërrimi i llambave

Llambat duhet të zëvendësohen nga një profesionist.

rekomandohet fshijeni rregullisht me një leckë të butë, furçë të butë, etj., nëse është e nevojshme në kombinim me disa mjete ndihmëse (si shkopiinj të hollë), duke parandaluar kështu grumbullimin e ndotësve ose bakteve.

- Mos përdorni sapun, detergjent, pluhur pastrimi, pastrues me spërkatje, etj., pasi këta agjentë mund të krijojnë erëra të pakëndshme në frigorifer ose të kontaminojnë ushqimin.
- Pastroni raftin e shisheve, raftet dhe sirtarët me një leckë të butë të lagur me ujë me sapun ose detergjent të holluar. Thajeni me një leckë të butë ose lëreni të thahet natyrshëm.
- Fshijeni pjesën e jashtme të frigoriferit me një leckë të butë të lagur me sapun, detergjent etj., më pas thajeni me një leckë.
- Mos përdorni furça të forta, furça me tela çeliku, furça teli, gërryes (si pasta e dhëmbëve), tretës organikë (si alkooli, acetoni, vaji i bananes etj.), ujë të valë ose agjentë acidë ose alkaline, të cilët mund t'i dëmtojnë sipërfaqet dhe brendësia e frigoriferit. Ujë të vluar dhe tretësit organikë si benzeni mund të deformojnë ose dëmtojnë pjesët plastike.
- Gjatë pastrimit, mos e shpëlani pajisjen direkt me ujë ose lëngje të tjera për të shmangur një qark të shkurtër ose dëmtim të materialeve që ofrojnë izolim elektrik pas zhytjes.

Këshilla për pastrim

Kondensimi mund të krijohet në pjesën e jashtme të pajisjes. Arsyeja për këtë mund të jetë ndryshimi i vlerave të temperaturës së dhomës. Fshini ato të lagurat pjesët. Nëse problemi vazhdon, kontaktoni një teknik të kualifikuar për ndihmë.

MIRËMBAJTJA

Zëvendësimi i ndriçimit të brendshëm
Llambat duhet të zëvendësohen nga një profesionist.

Kujdes kur përdorni / transportoni
pajisjen tuaj

Gjatë transportit, mbajeni pajisjen nga anët ose nga baza. Në asnjë rast nuk duhet të ngrihet pajisja duke e mbajtur nga skajet e sipërfaqes së sipërme.

Servisimi

Servisimi i pajisjes duhet të kryhet nga një person teknik i

autorizuar, i cili do të përdorë vetëm ato origjinale pjesë këmbimi. Mos e riparoni vetë pajisjen në asnjë rrethanë. Riparimet e kryera nga një person pa përvojë mund të rezultojnë në lëndime ose dëmtime serioze. Kontaktoni një teknik të kualifikuar.

Fikja e pajisjes për periudha të gjata
kohore

Kur pajisja nuk është në përdorim për një periudhë të gjatë kohore, hiqeni nga priza, zbrazni dhe pastroni dhe hapni pjesërisht derën për të parandaluar krijimin e një ere të pakëndshme.

ZGJIDHJA E PROBLEMEVE

Përdoruesi mund t'i zgjidhë vetë problemet e thjeshta të renditura më poshtë në tekst. Nëse nuk jeni në gjendje t'i zgjidhni problemet, telefononi departamentin e shërbimit të mirëmbajtjes.

Pajisja nuk punon	Sigurohuni që ngrirësi të jetë në prizë; Tension i ulët; Mungesa e energjisë ose siguresa e djegur.
Erë	Ushqimi që lëshon erëra të forta duhet të mbështillet mirë; Kontrolloni nëse ushqimi është i prishur; Kontrolloni nëse pjesa e brendshme e pajisjes duhet të pastrohet.
Funksionimi afatgjatë i kompresorit	Është normale që frigoriferi të funksionojë më gjatë gjatë verës, kur temperatura e jashtme është më e lartë; Mos vendosni shumë ushqime në frigorifer menjëherë; Mos e vendosni ushqimin derisa të jetë ftohur më parë; Hapja e shpeshtë e derës së frigoriferit.
Drita nuk ndizet	Sigurohuni që frigoriferi të jetë në prizë; Kontrolloni nëse llamba është e dëmtuar.
Dera e frigoriferit nuk mbyllet siç duhet	Paketimi i ushqimit bllokoi derën e ngrirësit; Sasia e tepërt e ushqimit; Frigoriferi është i anuar.
Zhurma të forta	Kontrolloni që ushqimi të jetë i niveluar dhe që frigoriferi të jetë i ekuilibruar; Kontrolloni që pjesët të jenë vendosur në mënyrën e duhur.

Këshilla

- Gjatë funksionimit, veçanërisht në muajt e verës, kutia e frigoriferit mund të lëshojë nxehtësi të krijuar nga rrezatimi i kondensatorit, i cili është një fenomen i zakonshëm.
- Kondensimi: Kondensimi do të formohet në sipërfaqet e jashtme dhe në guarnicionet e dyerve të ngrirësit kur
 - lagështia e lartë në dhomë. Është një dukuri normale dhe kondensata mund të fshihet me një leckë të thatë.
 - Zhurme: Gjatë funksionimit, kompresori do të zhurmtojë, veçanërisht kur ndizet dhe fiket.

INFORMACION MBI KURSIMITIN E ENERGJISË

Paralajmërimet për energjinë

- Frigoriferët mund të bëhen jo të besueshëm gjatë funksionimit (shkrirja e mundshme e përmbajtjes ose zhvillimi i temperaturës së tepërt në ndarjen e ushqimit të ngrirë) nëse ruhen për periudha të gjata kohore në temperatura nën intervalin e temperaturës së funksionimit të specifikuar për një frigorifer të caktuar.
- Pijet e gazuara nuk duhet të ruhen në ndarje ose dhoma ngrirëse ose në ndarje ose dhoma me vlera të ulëta të temperaturës, ndërsa disa produkte, si akulli, nuk duhet të konsumohen kur janë shumë të ftohtë.
- Duhet pasur kujdes kur ruhet çdo lloj ushqimi që mbahet në frigorifer ose ndarje ose dhoma për ngrirjen e ushqimeve, dhe veçanërisht ushqimet komerciale për ngrirje të shpejtë, jetëgjatësia e rekomanduar nga prodhuesi i ushqimit të të mos kapërcehet.
- Duhet të merren masa paraprake për të parandaluar rritjen e panevojshme të temperaturës në ushqimet e ngrira gjatë shkrirjes së frigoriferëve, si p.sh. mbështjellja e ushqimit të ngrirë në disa shtresa gazete.
- Rritja e temperaturave në ushqimin e ngrirë gjatë shkrirjes manuale, mirëmbajtjes ose pastrimit mund të shkurtojë jetëgjatësinë e tij.

6. Është e rëndësishme t'i mbani çelësat e derës ose kapakët e pajisur me bravë dhe çelësa jashtë mundësive të fëmijëve dhe larg njësisë së ftohjes, në mënyrë që të parandaloni që fëmijët të mbyllën brenda njësisë.
7. Mbajtja e derës hapur për një kohë të gjatë mund të çojë në një rritje të konsiderueshme të temperaturës në ndarjet e pajisjes.
8. Pastroni rregullisht sipërfaqet që mund të hyjnë kontakti me ushqimin, si dhe pjesët e aksesueshme të sistemeve të kullimit.
9. Pastroni rezervuarët e ujit të freskët nëse nuk janë përdorur për një periudhë prej 48 orësh; nëse nuk keni marrë ujë nga pajisja për një periudhë prej 5 ditësh, shpëlajeni sistemin e rrjedhës së ujit të lidhur me furnizimin me ujë.
10. Ruani mishin e papërpunuar dhe peshkun në frigorifer në kontejnerë të përshtatshëm në mënyrë që të mos bien në kontakt me ushqimin dhe të pikojnë mbi ushqime të tjera.
11. Nëse frigoriferi do të jetë bosh për një periudhë të gjatë kohore, hiqeni nga priza, shkruani, pastroni dhe thani, më pas lëreni derën e pajisjes hapur për të parandaluar rritjen e mykut brenda pajisjes.

SHTYRJE

Pajisjet e vjetra kanë ende një vlerë të mbetur. Duke aplikuar metodat e asgjësimit që mbrojnë mjedisin, do të mundësoni ripërdorimin dhe përdorimin e lëndëve të para me vlerë. Materialet ftohëse dhe izoluese në pajisjen tuaj kërkojnë procedura të veçanta asgjësimi. Përpara se ta vendosni, sigurohuni që asnjë nga tubat në pjesën e pasme të pajisjes të mos jetë i dëmtuar. Mund të merrni informacione të përditësuara për asgjësimin për pajisjen tuaj të vjetër nga zyra e autoritetit lokal. Kur hidhni pajisjen e vjetër, thyni çdo bravë të vjetër ose dorezë dere dhe hiqni derën si masë paraprake.

Hedhja e duhur e këtij produkti



Hedhja e duhur e këtij produkti

Kjo shenjë tregon se në BE ky produkt nuk duhet të hidhet së bashku me mbeturinat e tjera shtëpiake. Si do të parandaloni dëmtimin e mundshëm të mjedisit apo të shëndetit e njeriut të shkaktuar nga asgjësimi i pakontrolluar i mbetjeve, ricikloni ato me përgjegjësi, gjë që do të nxiste ripërdorimin e qëndrueshëm të burimeve materiale. Ve ju lutemi kthejeni pajisjen tuaj të përdorur nëpërmjet sistemit të kthimit dhe grumbullimit të mbeturinave ose duke kontaktuar dyqanin ku e keni blerë. Kështu, produkti mund të riciklohet në një mënyrë të sigurt për mjedisin.

Për informacione të mëtejshme, kontaktoni autoritetet tuaja lokale ose dyqanin ku keni blerë produktin.

Tabela 1 Klasat klimatike






Klasat	Simbolet	Gama e temperaturës së ambientit ° C
Zgjeruar në mënyrë të moderuar	SN	+10 to +32
E moderuar	N	+ 16 to +32
Subtropikale	ST	+16 to + 38
Tropikal	T	+ 16 to + 43

Moderimi i zgjatur: "kjo pajisje ftohëse është menduar për përdorim në temperaturat e ambientit nga 10 °C deri në 32 °C"; E moderuar: "kjo njësi ftohëse është menduar për përdorim në temperaturat e ambientit nga 16 °C deri në 32 °C"; Subtropikale: "kjo njësi ftohëse është menduar për përdorim në temperaturat e ambientit nga 16 °C deri në 38 °C"; Tropical: "kjo njësi ftohëse është menduar për përdorim në temperaturat e ambientit nga 16°C deri në 43°C";

BEZBJEDNOSNA UPOZORENJA



Upozorenje: rizik od požara / zapaljivi materijali

- OVAJ uređaj je namjenjen za upotrebu u domaćinstvima i sličnom okruženju poput kuhinja za osoblje u prodavnicama, kancelarijama i drugom radnom okruženju; poljoprivrednih domaćinstava i hotela, motela i ostalih objekata rezidencijalnog tipa, gdje se stavlja na raspolaganje klijentima; objekata koji pružaju uslugu noćenja sa doručkom; kateringa i u slične neprodajne namjene.
 - NIJE predviđeno da ovaj uređaj koriste osobe (uključujući djecu) sa umanjnim fizičkim, senzornim ili mentalnim sposobnostima, ili sa nedostatkom iskustva i znanja, osim ukoliko su pod nadzorom osobe odgovorne za njihovu bezbjednost ili ukoliko im je pomenuta osoba pružila objašnjenje u vezi sa upotrebom uređaja.
 - Djecu je potrebno nadgledati kako biste bili sigurni da se ne igraju uređajem.
 - UKOLIKO je kabal za napajanje oštećen, potrebno je da njegovu zamjenu obavi proizvođač, njegov ovlašteni serviser ili lica sa sličnim kvalifikacijama kako bi se izbjegao nastanak opasnosti.
 - NEMOJTE držati eksplozivne supstance poput aerosol boca sa zapaljivim potisnim gasom u ovom uređaju.
 - UREĐAJ je potrebno iskopčati iz utičnice nakon upotrebe, a prije njegovog korisničkog održavanja.
 - UPOZORENJE: Povedite računa da ventilacioni otvori ne budu blokirani unutar ugradbenog dijela ili ugradbene konstrukcije za uređaj.
 - UPOZORENJE: Ne upotrebljavajte mehanička sredstva ili druge postupke za ubrzanje procesa otapanja, ukoliko nisu preporučeni od strane proizvođača.
 - UPOZORENJE: Ne oštećujte instalacije za rashladno sredstvo.
 - UPOZORENJE: Ne upotrebljavajte električne uređaje unutar odjeljaka za držanje hrane ovog uređaja, osim ukoliko su u pitanju tipovi uređaja preporučeni od strane proizvođača.
 - UPOZORENJE: Frižider odložite u skladu sa lokalnim propisima jer se za njegov rad upotrebljavaju zapaljivi eksplozivni gas i rashladno sredstvo.
 - UPOZORENJE: Prilikom pozicioniranja uređaja, uvjerite se da kabal za napajanje nije pritisnut ili oštećen.
 - UPOZORENJE: Nemojte postavljati prenosive produžne kablove sa više utičnica ili prenosive akumulatore iza uređaja.
 - NE upotrebljavajte produžne kablove ili neuzemljene (sa dva kraka) adaptore.
 - OPASNOST: Rizik od zatvaranja djece unutar uređaja. Prije nego što odbacite svoj stari frižider ili zamrzivač:
 - Skinite vrata.
 - Ostavite police unutar uređaja kako djeca ne bi mogla da se lako uvuku unutra.
 - PRIJE nego što se započne sa postupkom instalacije nekog pratećeg elementa, frižider je potrebno iskopčati sa izvora napajanja.
 - RASHLADNO sredstvo i pjenušavo sredstvo ciklopentan, koji se upotrebljavaju u okviru frižidera, su zapaljivi.
 - Stoga, prilikom odlaganja frižidera, držite ga dalje od izvora plamena i, umjesto da ga odložite sagorjevanjem, predajte ga nekoj od specijalizovanih kompanija za recikliranje sa odgovarajućim kvalifikacijama kako bi se omogućilo njegovo ponovno iskorištenje, jer ćete na taj način spriječiti štetne efekte po životnu sredinu ili druge opasnosti.
 - ZA EN standard: Ovaj uređaj mogu upotrebljavati djeca starosti od 8 ili više godina i osobe sa umanjnim fizičko-senzornim ili mentalnim sposobnostima ili nedostatkom iskustva i znanja ukoliko su pod nadzorom ili su upućeni u bezbjedno korištenje uređaja i shvataju opasnosti koje njegova upotreba nosi. Djeca se ne smiju igrati uređajem. Djeca ne smiju da obavljaju čišćenje i korisničko održavanje uređaja bez nadzora. Djeca starosti od 3 do 8 godina mogu stavljati hranu u ili je uzimati iz uređaja za rashlađivanje.
 - KAKO biste izbjegli kontaminiranje hrane, pridržavajte se sljedećih uputstava:
 - Dugo držanje vrata uređaja otvorenim može da dovede do značajnog rasta temperature unutar odjeljaka uređaja.
 - Redovno čistite površine koje mogu da dođu u dodir sa hranom, kao i pristupačne dijelove odvodnog sistema.
 - Očistite posude za vodu ukoliko ih niste koristili tokom vremenskog perioda od 48 h; ukoliko tokom vremenskog perioda od 5 dana niste uzimali vodu iz uređaja, isperite sistem za protok vode povezan na dovod vode. (napomena 1)
 - Sirovo meso i ribu unutar frižidera držite u odgovarajućim posudama kako ove namirnice ne bi došle u dodir sa ili kako ne bi kapale po ostaloj hrani.
 - Odjeljci za smrznutu hranu označeni sa dvije zvjezdicama  pogodni su za držanje prethodno smrznute hrane, za držanje ili pravljenje sladoleda i za pravljenje kockica leda. (napomena 2)
 - Odjeljci označeni jednom , sa dvije , sa tri  ili četiri zvjezdice  nisu pogodni za zamrzavanje svježih hrane. (napomena 3)
 - Ukoliko će uređaj za rashlađivanje biti prazan tokom dužeg vremenskog perioda, isključite ga, odledite, očistite i osušite, a zatim ostavite vrata uređaja otvorenim kako biste spriječili razvoj buđi u unutrašnjosti uređaja.
 - Kod uređaja koji nemaju odjeljak označen sa četiri zvjezdice: ovaj uređaj za rashlađivanje nije pogodan za zamrzavanje namirnica. (napomena 4)
- Napomene 1, 2, 3, 4: Proverite da li su navedene informacije primjenjive na tipove odjeljaka Vašeg proizvoda.
- ZA samostojeće uređaje: nije predviđeno da se ovaj uređaj za rashlađivanje upotrebljava kao ugradbeni uređaj.
 - PREDVIĐENO je da svaki postupak zamjene ili održavanja LED lampica obavlja proizvođač, njegov ovlašteni serviser ili lica sa sličnim kvalifikacijama. Lampica pripada klasi G energetske efikasnosti.

INSTALACIJA

Lokacija

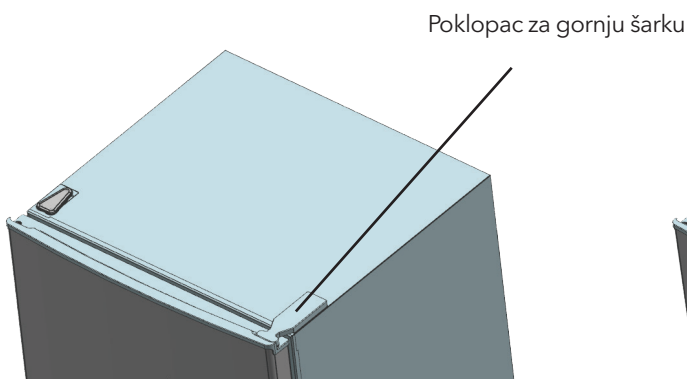
Prilikom izbora lokacije za Vaš uređaj, uvjerite se da je podloga ravna i čvrsta, kao i da je provjetrenost u prostoriji dobra. Izbjegavajte postavljanje uređaja u blizini izvora toplote, npr. šporeta, bojlera ili radijatora. Također, izbjegavajte direktno izlaganje suncu, jer ovo može da dovede do povećane potrošnje električne energije. Izuzetno niske sobne temperature također mogu prouzrokovati loš rad

uređaja. Ovaj uređaj nije namjenjen za upotrebu u garažama, kao ni za postavljanje na otvorenom. Ne prekrivajte uređaj. Prilikom postavljanja, provjerite da li je sa obje strane uređaja ostavljen razmak širine 10 cm, kao i 10 cm od zadnje i 30 cm od gornje površine uređaja. Na ovaj način ćete omogućiti cirkulisanje hladnog vazduha oko vinske vitrine i poboljšati efikasnost postupka hlađenja.

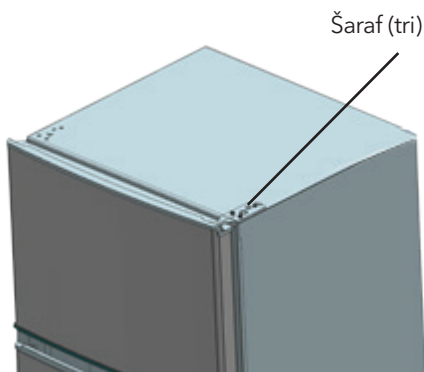
Promjena smjera otvaranja vrata (opcionalno)

Potreban alat: Krstasti odvijač / ravni odvijač / šestougaoni ključ

1. Uklonite poklopac sa gornje šarke.

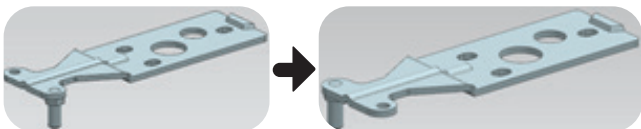


2. Pomoću krstastog odvijača, uklonite šarafe kojima je pričvršćena gornja šarka.

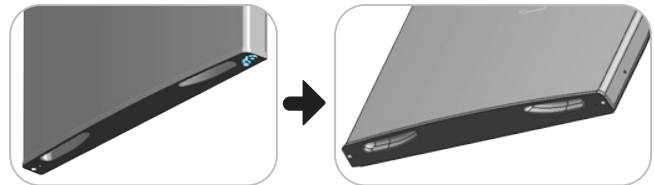


3. Premestite gornju šarku i gornji graničnik za vrata, kao i nosač vrata na drugu stranu.

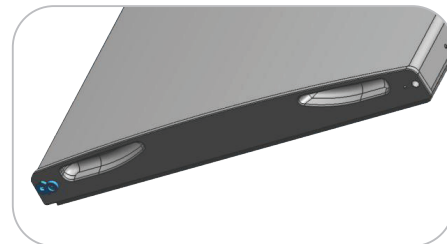
A. Uklonite navrtaj zajedno sa nosačem. Skinite podlošku, a zatim premjestite osovine na drugu stranu i pričvrstite ih.



B. Skinite graničnik za vrata

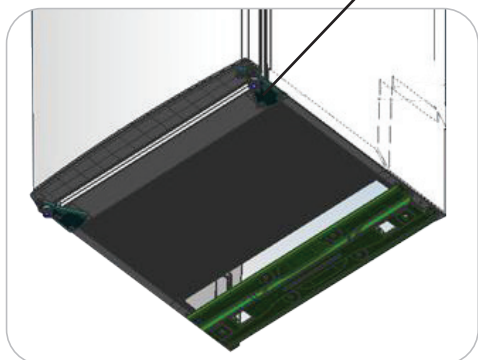


C. Molimo Vas da pripremite drugi graničnik za vrata i da ga šarafima pričvrstite za vrata



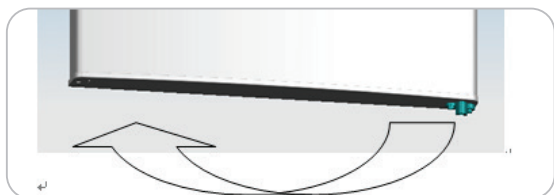
4. Skinite šarafe kojima je pričvršćena donja šarka pomoću krstastog odvijača.

Šarafi kojima je pričvršćena donja šarka

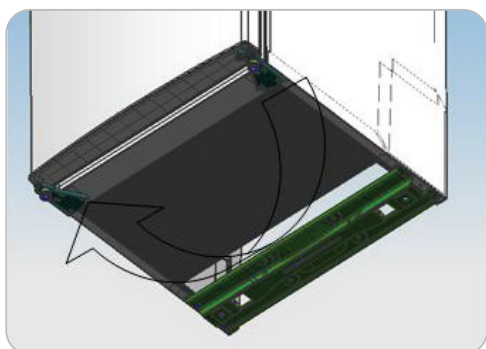


Napomena: ugao naginjanja frižidera-zamrzivača je manje od 45°.

5. Promijenite mjesto donjem nosaču vrata i graničniku.



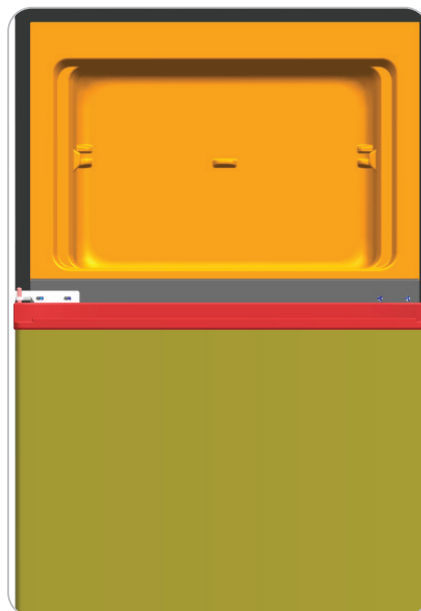
6. Premjestite donju šarku na drugu stranu, a zatim je pričvrstite šarafima.



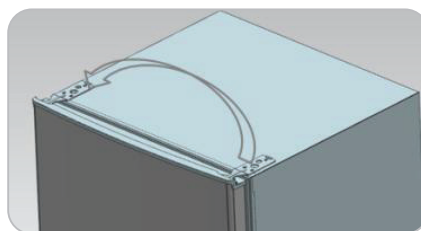
7. Premjestite središnju šarku.



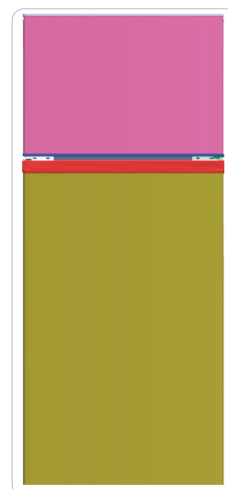
8. Postavite donja vrata u odgovarajuću poziciju i pričvrstite središnju šarku.



9. Premjestite gornju šarku.

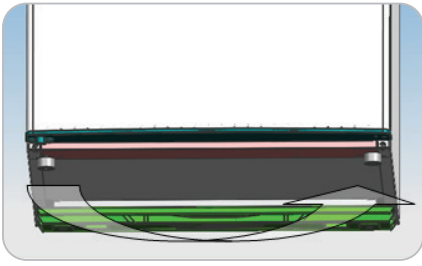


10. Podesite desnu gornju poziciju vrata, pričvrstite gornju šarku i poklopac.



11. Postavite četiri kapice za šarafe i dvije reze na odgovarajuća mesta.
- Uvjerite se da je uređaj isključen iz struje i ispražnjen.
 - Dvije nožice za nivelisanje podesite na najvišu poziciju.
 - Prepoučujemo Vam da ovo ne radite sami.

12. Prebacite nivelator na drugu stranu i podesite ga tako da budete sigurni da je uređaj iznivelisan.

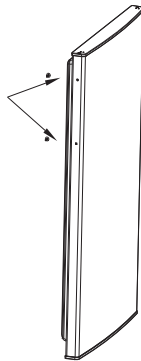


*Slika iznad je prikazana isključivo u ilustrativne svrhe. Realna konfiguracija zavisiće od samog uređaja ili izjave distributera

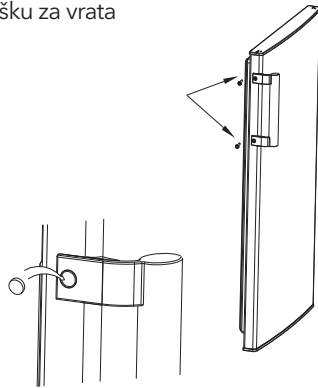
Postavljanje ručke za vrata (opciono)

Napomena: Slike u uputstvu za upotrebu prikazane su isključivo u ilustrativne svrhe. Realni proizvod se može donekle razlikovati. Prije nego to pokušate da instalirate neki prateći element, frižider morate isključiti iz struje.

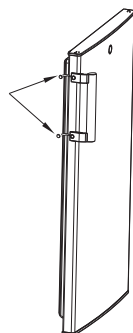
Korak 1: izvucite dva čepa iz vrata (Bočna strana vrata, koja se otvara)



Korak 2: Na vrata postavite dršku za vrata i pričvrstite je šarafima



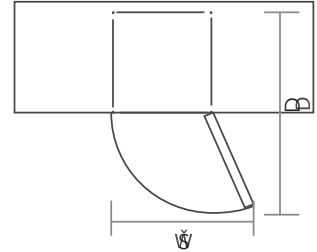
Korak 3: Otvore šarafa na ručki pokrijite kpicama za šarafe



*Slika iznad je prikazana isključivo u ilustrativne svrhe. Realna konfiguracija zavisiće od samog uređaja ili izjave distributera

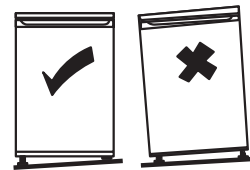
Potreban prostor za vrata

Potrebno je ostaviti dovoljno prostora za potpuno otvaranje vrata uređaja na način prikazan na slici. ŠxD ≥ 902 × 1052 mm



Nivelisanje uređaja

Obavlja se podešavanjem dvije nožice za nivelisanje, koje se nalaze na prednjoj strani uređaja. Ukoliko uređaj nije iznivelisan, vrata i magnetna zaptivka neće pravilno prijanjati. Prije upotrebe provjerite da li nožica dodiruje podlogu. Gledano odozgo, okrenite u smjeru kretanja kazaljke na satu ili u smjeru suprotnom od kretanja kazaljke na satu radi otpuštanja ili zatezanja.



Čišćenje prije upotrebe

Unutrašnjost uređaja prebrišite slabim rastvorom sode bikarbone. Zatim isperite toplom vodom pomoću spužve ili krpe koju je moguće cijediti. Police i odjeljak za salate operite toplom vodom sa sapunicom i potpuno ih osušite prije ponovnog postavljanja u uređaj. Spoljašnji dio uređaja očistite vlažnom krpom. Ukoliko Vam je potrebno više informacija, pogledajte odjeljak Čišćenje.

Pre upotrebe uređaja

Kako biste osigurali bezbjednost prilikom upotrebe, ni pod kojim uslovima ne oštećujte kabl za napajanje i ne upotrebljavajte uređaj ukoliko je kabl za napajanje oštećen ili ukoliko je utikač istrošen. Da biste spriječili oštećenja proizvoda ili pojavu požara, ne stavljajte u frižider zapaljive, eksplozivne i isparljive predmete, kao ni predmete koji lako koroziraju.

Da biste izbjegli pojavu požara, ne stavljajte zapaljive predmete blizu frižidera.

Ovaj proizvod je namijenjen za upotrebu u domaćinstvima i pogodan je isključivo za čuvanje hrane. Prema nacionalnim standardima, frižideri namijenjeni za upotrebu u domaćinstvima se ne smiju koristiti ni u kakve druge svrhe, kao što su skladištenje krvi, lijekova ili bioloških proizvoda. Ne stavljajte u zamrzivač predmete kao što su flaširane tečnosti ili tečnosti u zatvorenom posudu, poput flaširanih piva i pića, kako biste izbjegli njihovo pucanje i drugu štetu. Prije nego što u svoj uređaj stavite bilo kakvu hranu, uključite ga i sačekajte 24 sata, kako biste bili sigurni da radi na odgovarajući način i kako biste mu ostavili dovoljno vremena da temperaturu spusti na odgovarajuće vrijednosti. Uređaj ne treba prepunjavati.



• Prije povezivanja na struju

Morate proveriti da li imate utičnicu kompatibilnu sa utikačem dostavljenim uz uređaj.

• Prije nego što uključite uređaj!

Uređaj ne uključujte bar dva sata nakon njegovog prenošenja.

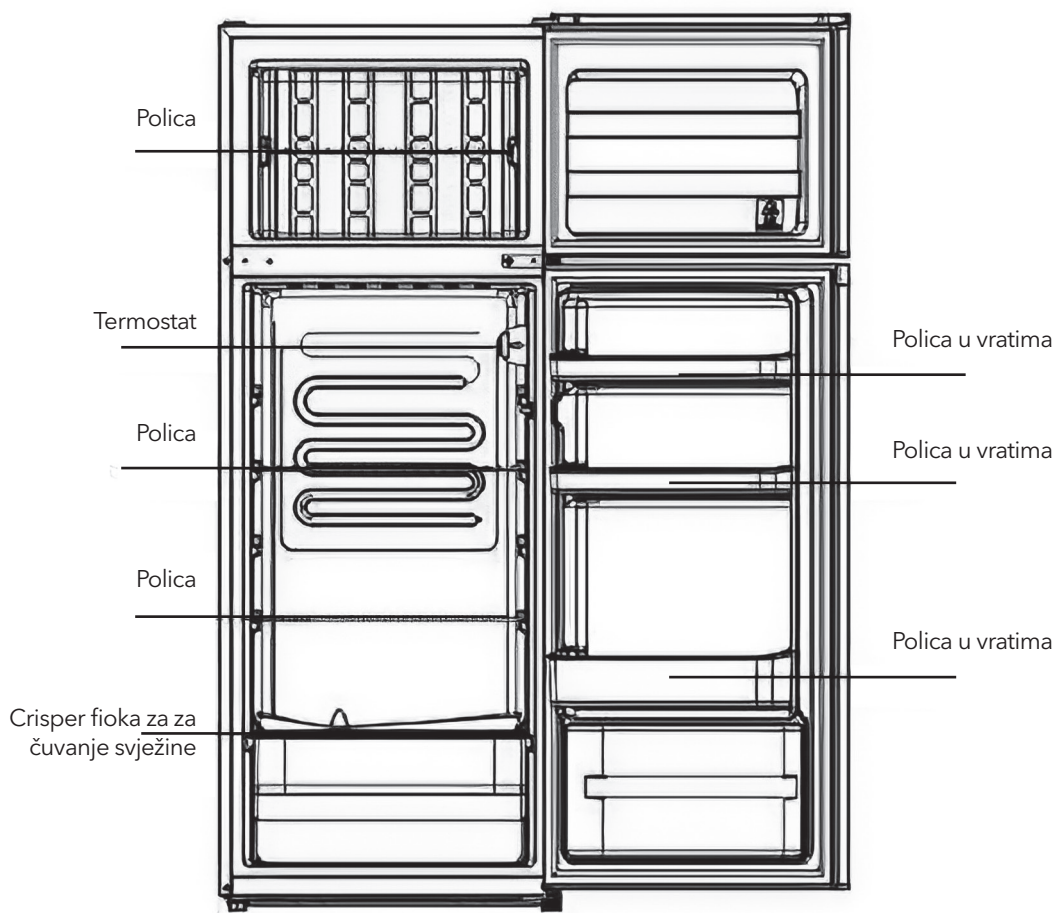
Unutrašnji prateći elementi

Vaš uređaj sadrži različite staklene ili plastične police za odlaganje - kombinacije se razlikuju zavisno od modela. Jednu od staklenih policu za odlaganje, koja zahvata kompletnu površinu uređaja, treba uvijek kliznim pokretom ubaciti u najniže vodice, iznad odjeljaka za voće i povrće, i ostaviti je na tom mjestu. Ovo uradite tako što ćete povući policu za odlaganje ka naprijed, do položaja u kome je moguće njeno rotiranje ka gore ili dole i uklanjanje. Da policu postavite na neku drugu visinu, pratite gore navedene korake, samo obrnutim redoslijedom.



Kako biste maksimalno iskoristili zapreminu odjeljka za čuvanje svježe hrane i odjeljka za čuvanje smrznute hrane, možete ukloniti jednu ili više policu i fioka iz uređaja, zavisno od Vaših svakodnevnih potreba.

PRIKAZ PROIZVODA



Raspored fioka, kutija za odlaganje hrane, policu itd. organizovan prema slici iznad u najvećoj mjeri doprinosi energetskej efikasnosti uređaja.

*Slika iznad je prikazana isključivo u ilustrativne svrhe. Realna konfiguracija zavisice od samog uređaja ili izjave distributera

RAD UREĐAJA

Uključivanje uređaja

Podešavanje "Isključeno" (Off): Uređaj je isključen

Podešavanje "Min": Manja jačina hlađenja

Podešavanje "Med" ili "MID" Normalan rad (odgovara većini situacija)

Podešavanje "Max" Najjače hlađenje

- Pri visokim sobnim temperaturama, npr. tokom vrelih ljetnih dana. Može biti potrebno da se termostat podesi na Najjače hlađenje (pozicija „Max“). Ovo za rezultat može imati neprekidan rad kompresora u cilju održavanja niske temperature u uređaju. Prilikom inicijalnog postavljanja frižidera, dugme termostata podesite na „Med“.
- Prije nego što počnete da ubacujete hranu, ostavite frižider da se potpuno ohladi. Najbolje je sačekati 24 sata prije stavljanja hrane u frižider. Dugmetom termostata se kontroliše temperatura. Ukoliko je dugme za kontrolu termostata podešeno na ISKLJUČENO (OFF), frižider neće raditi.

Buka unutar uređaja!

Možda ćete primjetiti da Vaš uređaj pravi određene neobične zvuke. Većina pomenutih zvukova je savršeno normalna, ali je potrebno da ih budete svjesni!

Zvukovi nastaju usljed cirkulisanja tečnog rashladnog sredstva unutar sistema za hlađenje. Ovo je postalo izraženije nakon

uvođenja gasova koji ne sadrže hloroflorougljenike (HFU). Ovo ne predstavlja grešku i neće uticati na rad Vašeg uređaja. Radi se o zvuku rada motora kompresora tokom pumpanja rashladnog sredstva kroz sistem.

Savjeti za čuvanje hrane u uređaju

- Termički obrađeno meso/ribu treba uvijek odlagati na polici iznad sirovog mesa/ribe kako bi se izbjeglo prenošenje bakterija. Sirovo meso/ribu držite u posudi koja je dovoljno velika da zadrži sokove mesa i adekvatno je poklopite. Posudu stavite na najnižu policu.
- Ostavite razmak između hrane kako biste omogućili cirkulisanje vazduha unutar uređaja. Uvjerite se da su svi dijelovi uređaja rashlađeni.
- Kako biste spriječili poprimanje mirisa i sušenje, hranu zasebno pakujte ili poklapajte. Voće i povrće nije potrebno uvijati.
- Hranu koja je prethodno termički obrađena uvijek ostavite da se ohladi prije nego što je stavite u uređaj. Na ovaj način potpomažete održavanju unutrašnje temperature uređaja.
- Kako biste spriječili rasipanje hladnog vazduha iz uređaja, pokušajte da ograničite broj otvaranja vrata uređaja. Preporučujemo Vam da vrata otvarate samo kada je potrebno staviti hranu u uređaj ili je izvaditi iz njega.
- Vam da vrata otvarate samo kada je potrebno staviti hranu u uređaj ili je izvaditi iz njega.

Zamjena sijalice

Zamjenu sijalice treba da obave stručne osobe.

ČIŠĆENJE

Otapanje

IMAJTE U VIDU DA OVAJ UREĐAJ NEMA AUTOMATSKI SISTEM ZA OTAPANJE

Prilikom uklanjanja leda sa isparivača, koristite plastičnu lopaticu za uklanjanje leda. Nemojte upotrebljavati oštre metalne predmete.

Čišćenje unutrašnjosti i spoljašnjosti jedinice

- Da biste unaprijedili efekat hlađenja i uštedu energije, redovno čistite prašinu iza frižidera i sa podloge.
- Redovno provjeravajte zaptivku na vratima kako biste bili sigurni da na njoj nema prljavštine. Očistite zaptivku na vratima mekanom krpom navlaženom vodom sa sapunicom ili razblaženim deterdžentom.
- Da izbjegnute stvaranje neprijatnih mirisa, redovno čistite unutrašnjost frižidera.
- Prije nego što započnete sa čišćenjem unutrašnjosti frižidera, isključite ga iz struje, uklonite svu hranu, pića, police, fioke, itd.
- Za čišćenje unutrašnjosti frižidera koristite mekanu krpu ili spužvu sa dvije supene kašike sode bikarbone i četvrtinu litre tople vode. Zatim isperite vodom i obrišite. Nakon čišćenja, otvorite vrata i, prije nego što uređaj priključite na napajanje, ostavite ga da se prirodno osuši.
- Za čišćenje teško dostupnih dijelova frižidera (poput uskih otvora, proreza ili uglova), preporučuje se redovno brisanje mekanom krpom, mekanom četkom, itd., po potrebi u kombinaciji sa nekim pomoćnim alatom (poput tankih štapića), čime se na pomenutim mjestima spriječava akumuliranje kontaminanata ili bakterija.
- Ne upotrebljavajte sapun, deterdžent, prah za čišćenje,

sredstva za čišćenje u spreju, itd., jer pomenuta sredstva mogu dovesti do stvaranja neprijatnih mirisa u unutrašnjosti frižidera ili kontaminiranja hrane.

- Policu za flaše, police i fioke očistite pomoću mekane krpe navlažene vodom sa sapunicom ili razblaženim deterdžentom. Osušite mekanom krpom ili ostavite da se prirodno osuši.
- Spoljašnje površine frižidera prebrišite mekanom krpom navlaženom vodom sa sapunicom, deterdžentom, itd., a zatim osušite krpom.
- Ne upotrebljavajte tvrde četke, čelične žice za čišćenje, žičane četke, abrazivna sredstva (poput pasta za zube), organske rastvarače (poput alkohola, acetona, ulja banane itd.), ključalu vodu ili kisela ili alkalna sredstva, koja mogu da oštete površine i unutrašnjost frižidera. Ključala voda i organski rastvarači, poput benzina, mogu da deformišu ili oštete dijelove od plastike.
- Tokom čišćenja, uređaj nemojte direktno ispirati vodom ili drugim tečnostima, kako biste izbjegli nastanak kratkog spoja ili oštećenja na materijalima koji pružaju električnu izolaciju nakon potapanja.

Savjeti za čišćenje

Na spoljašnjosti uređaja može doći do formiranja kondenza. Razlog ovome može biti promjena vrijednosti sobne temperature. Vlažne dijelove obrišite. Ukoliko ovaj problem nastavi da se javlja, za pomoć se obratite kvalifikovanom tehničkom licu.

ODRŽAVANJE

Zamjena unutrašnjeg osvjetljenja

Zamjenu sijalice treba da obave stručne osobe.

Oprez prilikom rukovanja / prenošenja Vašeg uređaja

Prilikom prenošenja, uređaj pridržavajte oko bočnih strana ili za osnovu. Uređaj ni pod kojim uslovima ne treba podizati držeći ga za ivice gornje površine.

Servisiranje

Servisiranje uređaja treba da obavi ovlašteno tehničko lice,

koje će tom prilikom koristiti isključivo originalne rezervne dijelove. Popravku uređaja ni pod kojim uslovima ne pokušavajte da obavljate sami. Popravke koje obavljaju osobe bez iskustva za rezultat mogu imati povređivanje ili ozbiljan kvar. Obratite se kvalifikovanom tehničkom licu.

Isključivanje uređaja tokom dužeg vremenskog perioda

Kada uređaj ne upotrebljavate tokom dužeg vremenskog perioda, isključite ga iz struje, ispraznite ga od hrane i očistite, a vrata djelimično otvorite kako biste spriječili stvaranje neprijatnih mirisa.

OTKLANJANJE PROBLEMA

Korisnik može da sam riješi jednostavne probleme navedene dalje u tekstu. Ukoliko probleme ne uspijete da razriješite, pozovite sektor za usluge održavanja.

Uređaj ne radi	Provjerite da li je zamrzivač uključen u struju; Nizak napon; Nestanak struje ili iskakanje osigurača
Mirisi	Hranu koja odaje jače mirise treba dobro uviti; Provjerite da li se hrana pokvarila; Provjerite da li je potrebno očistiti unutrašnjost uređaja.
Dugotrajan rad kompresora	Normalno je da frižider duže radi tokom ljeta, kada je spoljašnja temperatura viša; Ne stavljajte u zamrzivač previše hrane odjednom; Ne stavljajte hranu u uređaj dok se prethodno ne ohladi; Često otvaranje vrata frižidera.
Lampica ne svijetli	Provjerite da li je frižider priključen na struju, provjerite da li je lampica oštećena.
Vrata frižidera se ne mogu zatvoriti na odgovarajući način.	Ambalaža sa hranom blokira vrata zamrzivača; Prevelika količina hrane; Frižider je nagnut.
Glasni zvukovi	Provjerite da li hrana stoji ravno i da li je frižider uravnotežen; Provjerite da li su dijelovi frižidera postavljeni na odgovarajući način.

Savjeti

- Tokom rada, naročito u ljetnim mjesecima, kućište frižidera može da emituje toplotu nastalu usljed zračenja kondenzatora, što predstavlja uobičajeni fenomen.
- Kondenzacija: kondenz će se formirati na spoljašnjim površinama i zaptivkama na vratima zamrzivača pri uslovima

visokog stepena vlage u prostoriji. U pitanju je normalni fenomen, a kondenz se može obrisati suhom krpom.

- Zujanje: U toku rada, kompresor će zujati, posebno prilikom uključivanja ili isključivanja.

INFORMACIJE U VEZI SA UŠTEDOM ENERGIJE

Energetska upozorenja

1. Uređaji za rashlađivanje mogu postati nepouzdana tokom rada (moguće otapanje sadržaja ili razvijanje previsoke temperature u odjeljku za smrznutu hranu) ukoliko se tokom dužeg vremenskog perioda drže na temperaturama nižim od vrijednosti radnog temperaturnog opsega navedenog za dati uređaj za rashlađivanje.
2. Gazirana pića ne treba držati u odjeljcima ili komorama za zamrzavanje ili u odjeljcima ili komorama sa niskim temperaturnim vrijednostima, dok određene proizvode, poput leda, ne treba konzumirati kada su pretjerano

hladni;

3. Neophodno je povesti računa da se prilikom čuvanja bilo kog tipa hrane koja se drži u zamrzivaču ili odjeljcima ili komorama za zamrzavanje hrane, a posebno komercijalne brzo smrznute hrane, ne prekorači rok trajanja preporučen od strane proizvođača hrane.
4. Neophodno je preduzeti mjere predostrožnosti radi sprječavanja nepotrebnog rasta temperature unutar smrznute hrane prilikom otapanja uređaja za rashlađivanje, poput uvijanja smrznute hrane u nekoliko slojeva novinske hartije.

5. Porast temperature unutar smrznute hrane tokom ručnog otapanja, održavanja ili čišćenja može da skрати njen rok trajanja.
6. Ključeve za vrata ili poklopce opremljene ključaonicama i ključevima je važno držati van domašaja djece i dalje od uređaja za rashlađivanje, kako bi se spriječilo zaključavanje djece unutar uređaja.
7. Držanje otvorenih vrata tokom dužih vremenskih perioda može da dovede do značajnog porasta temperature unutar odjeljaka uređaja.
8. Redovno čistite površine koje mogu da dođu u dodir sa hranom, kao i pristupačne dijelove odvodnih sistema.
9. Očistite posude za vodu ukoliko ih niste koristili tokom vremenskog perioda od 48 h; ukoliko tokom vremenskog perioda od 5 dana niste uzimali vodu iz uređaja, isperite sistem za protok vode povezan na dovod vode.
10. Sirovo meso i ribu unutar frižidera držite u odgovarajućim posudama kako ove namirnice ne bi došle u dodir sa ili kako ne bi kapale po ostaloj hrani.
11. Ukoliko će uređaj za rashlađivanje biti prazan tokom dužeg vremenskog perioda, isključite ga, odledite, očistite i osušite, a zatim ostavite vrata uređaja otvorenim kako biste spriječili razvoj buđi u unutrašnjosti uređaja.

ODLAGANJE

Stari uređaji i dalje imaju određenu rezidualnu vrijednost. Primjenom načina odlaganja kojim se štiti životna sredina omogućit ćete ponovno iskorištavanje i upotrebu vrijednih sirovina. Rashladno sredstvo koje se upotrebljava u okviru Vašeg uređaja i izolacioni materijali zahtijevaju primjenu posebnih procedura za odlaganje. Prije nego što ga odložite, uvjerite se da nijedna cijev na zadnjem dijelu uređaja nije oštećena. Ažurirane podatke o opcijama za odlaganje Vašeg starog uređaja i ambalaže novog uređaja možete dobiti u kancelarijama Vaših lokalnih vlasti.

Prilikom odlaganja starog uređaja, slomite sve stare brave ili kvake i uklonite vrata kao mjeru predostrožnosti.

Pravilno odlaganje ovog proizvoda



Pravilno odlaganje ovog proizvoda

Ova oznaka ukazuje da u EU ovaj proizvod ne treba odlagati zajedno sa ostalim otpadom iz domaćinstva. Kako biste spriječili potencijalnu štetu po životnu sredinu ili zdravlje ljudi nastalu nekontrolisanim odlaganjem otpada, odgovorno ga reciklirajte kako biste promovisali održivu ponovnu upotrebu materijalnih resursa. Molimo Vas da svoj polovni uređaj vratite putem sistema za vraćanje i prikupljanje otpada ili da kontaktirate prodavnicu u kojoj ste proizvod kupili. Ovim putem se proizvod može reciklirati na način bezbjedan po životnu sredinu.

Za dodatne informacije, kontaktirajte svoje lokalne vlasti ili prodavnicu u kojoj ste proizvod kupili.

Tabela 1. Klimatske klase

Klasa	Simbol	Opseg ambijentalne temperature °C
Prošireno umjerena	SN	+ 10 do + 32
Umjerena	N	+ 16 do +32
Suptropska	ST	+ 16 do + 38
Tropska	T	+ 16 do + 43

Prošireno umjerena: „ovaj uređaj za rashlađivanje je namjenjen za upotrebu pri ambijentalnim temperaturama koje se kreću u opsegu od 10°C do 32°C“;

Umjerena: „ovaj uređaj za rashlađivanje je namjenjen za upotrebu pri ambijentalnim temperaturama koje se kreću u opsegu od 16°C do 32°C“;

Suptropska: „ovaj uređaj za rashlađivanje je namjenjen za upotrebu pri ambijentalnim temperaturama koje se kreću u opsegu od 16°C do 38°C“;

Tropska: „ovaj uređaj za rashlađivanje je namjenjen za upotrebu pri ambijentalnim temperaturama koje se kreću u opsegu od 16°C do 43°C“;

ПРЕДУПРЕЖДЕНИЯ ЗА БЕЗОПАСНОСТ



Предупреждение: Риск от пожар/запалими материали

- Този уред е предназначен за битова употреба и подобни приложения, като кухненски помещения за персонала в магазини, офиси и други професионални помещения; селскостопански къщи и от клиенти в хотели, мотели и други помещения, предназначени за временно пребиваване; - места, които предоставят услуга нощувка със закуска; кетъринг и подобни нетърговски приложения.
 - Този уред не е предназначен за употреба от лица (включително деца) с намалени физически, сетивни или умствени способности или липса на опит и познания, освен ако те не са под надзор или не са им били дадени инструкции преди това по отношение на използването на уреда от лице, което да е отговорно за тяхната безопасност
 - Децата трябва да бъдат наблюдавани, за да се уверите, че те не си играят с уреда.
 - Ако охраняващият кабел е повреден, той трябва да бъде заменен от производителя, негов сервизен агент или от лица с подобна квалификация, за да се избегне опасност.
 - Не съхранявайте взривоопасни вещества, като аерозолни опаковки със запалими газове в това устройство.
 - Уредът трябва да бъде изключван от контакта когато не е в употреба и преди извършване на поддръжка на уреда от потребителя.
 - **ПРЕДУПРЕЖДЕНИЕ:** Пазете вентилационните отвори в корпуса на хладилника или вградената конструкция от запушване или покриване.
 - **ПРЕДУПРЕЖДЕНИЕ:** Не използвайте механични устройства или други устройства, за да ускорите процеса на размразяване, различни от тези, препоръчани от производителя на устройството.
 - **ПРЕДУПРЕЖДЕНИЕ:** Внимавайте да не повредите охладителната система.
 - **ПРЕДУПРЕЖДЕНИЕ:** Не използвайте електрически уреди във вътрешността на отделенията за съхранение на храна, освен ако те не са от типа, препоръчан от производителя.
 - **ПРЕДУПРЕЖДЕНИЕ:** Моля, отстранявайте хладилника от употреба в съответствие с местните разпоредби, тъй като той съдържа запалим газ и хладилен агент
 - **ПРЕДУПРЕЖДЕНИЕ:** Когато монтирате устройството, уверете се, че нищо не притиска охраняващия кабел и той не е повреден.
 - **ПРЕДУПРЕЖДЕНИЕ:** Не поставяйте няколко преносими разклонители или преносими охраняващи устройства зад устройството.
 - Не използвайте удължаващи кабели или незаземени (с два щифта) адаптера.
 - **ОПАСНОСТ:** Опасност от заклещване на деца. Преди да отстраните от употреба стария си хладилник или фризер:
 - - Отстранете вратите.
 - - Оставете рафтовете на място, така че децата да не могат да влязат лесно вътре.
 - Хладилникът трябва да бъде изключен от източника на електрическо захранване, преди да се опитате да монтирате аксесоар.
 - Хладилният агент и циклопентановият разпенващ агент, използвани в хладилника, са запалими. Следователно, когато уредът се отстранява от употреба, той трябва да се държи далеч от източници на пожар и да бъде рециклиран от специализирано дружество за рециклиране със съответна квалификация, различно от отстраняване от употреба чрез изгаряне, за да се предотврати увреждане на околната среда или каквато и да е друга вреда.
 - За стандарт EN: Този уред може да се използва от деца на възраст от 8 и повече години и лица с намалени физически, сетивни или психически способности или с недостатъчно опит и познания, ако те са под наблюдение или са инструктирани относно използването на уреда по безопасен начин и осъзнават опасностите, свързани неговата експлоатация. Децата не трябва да си играят с уреда. Почистването и поддръжката не следва да се извършват от децата без надзор. Деца на възраст между 3 и 8 години може да поставят предмети и да вземат предмети от хладилни уреди.
 - За да избегнете замърсяване на храните, спазвайте следните инструкции:
 - Отварянето на вратата за по-продължително време може да доведе до значително повишаване на температурата в отделенията на уреда.
 - Почиствайте редовно повърхностите, които влизат в контакт с храната, както и достъпните части на дренажната система.
 - Почиствайте резервоарите за вода, ако не са били използвани в продължение на 48 часа; промийте водната система, свързана към водопровода, ако водата не е била сменяна в продължение на 5 дни. (Забележка 1)
 - Съхранявайте суровото месо и риба в хладилника в подходящи съдове, така че да не влиза в контакт с останалата храна или да капе върху нея.
 - Отделенията за замразени храни, маркирани с две звезди **[**]**, са подходящи за съхранение на предварително замразени храни, за съхранение или приготвяне на сладолед и за приготвяне на кубчета лед. (Забележка 2)
 - - Отделенията, маркирани с една **[*]**, две **[**]** и три звезди **[***]**, не са подходящи за замразяване на пресни храни. (Забележка 3)
 - Ако хладилният уред няма да бъде ползван за продължителен период от време, изключете го, размразете, почистете и го подсушете, а след това оставете вратата на уреда отворена, за да предотвратите появата на мухъл в уреда.
 - За уреди, които нямат отделение, обозначено с четири звезди **[****]**: този хладилен уред не е подходящ за замразяване на храни. (Забележка 4)
- Забележки 1, 2, 3,4: Уверете се, че изброената информация е за типа устройство, което сте закупили.
- За свободностоящ уред: този хладилен уред не е предназначен да се използва като вграден уред.
 - ВСЯКА подмяна или поддръжка на светодиодните лампи е предвидено да бъде извършва от производителя, неговия оторизирани сервизен център или подобно квалифицирано лице. Класът на енергийна ефективност на лампата е Клас G.

МОНТИРАНЕ

Местоположение

Когато избирате място, на което да поставите уреда, уверете се, че подът е равен и здрав, а помещението е добре проветриво. Избягвайте да поставяте уреда близо до източник на топлина, напр. печка, бойлер или радиатор.

Освен това избягвайте прякото излагане на слънчева светлина, тъй като това може да доведе до увеличена консумация на електричество. Изключително ниските стайни температури също могат да доведат до неизправност на уреда.

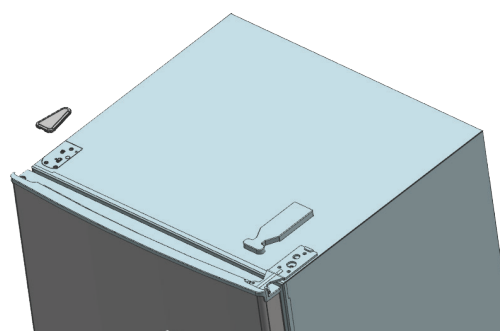
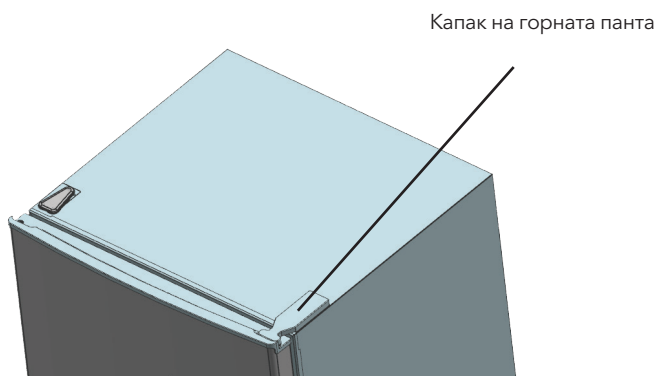
Това устройство не е предназначено за използване в гаражи или за монтиране навън. Не покривайте уреда.

Когато монтирате уреда, уверете се, че има отстояние от 10 cm от двете страни на устройството, както и 10 cm от задната страна и 30 cm над горната повърхност на устройството. Това ще позволи на студения въздух да циркулира около охладителя за вино и ще подобри ефективността на процеса на охлаждане.

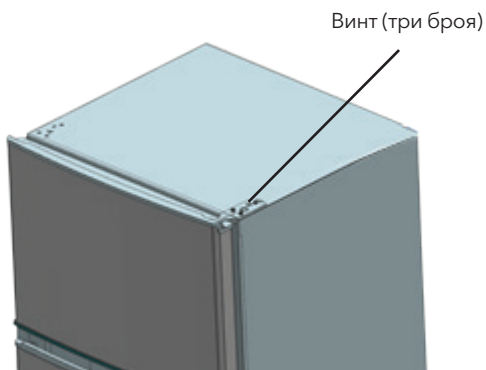
Промяна на посоката на отваряне на вратата (опционално)

Необходими инструменти: Кръстата отвертка/отвертка с плосък връх/шестограмен гаечен ключ.

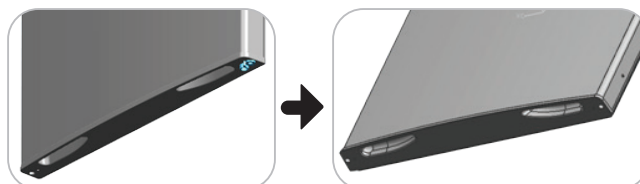
1. Отстранете капака на горната панта.



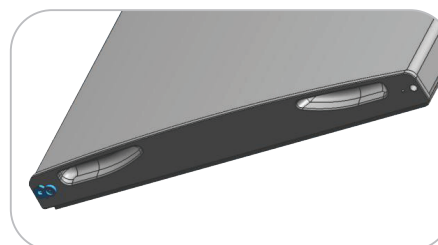
2. С помощта на кръстата отвертка отстранете винтовете, които фиксират горната панта



Б. Отстранете ограничителя на вратата

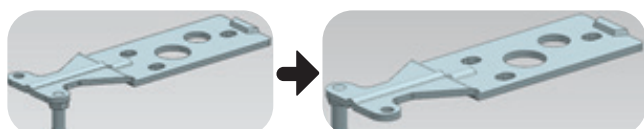


В. Подгответе друг ограничител за врата и го закрепете към вратата с винтове



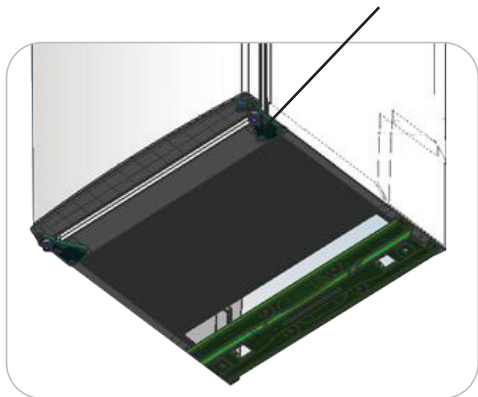
3. Преместете горната панта и горния ограничителен блок на вратата и лагерната втулка вратата от другата страна

А. Отстранете винта заедно със скобата. Извадете шайбата, след това преместете осите от другата страна и ги закрепете.



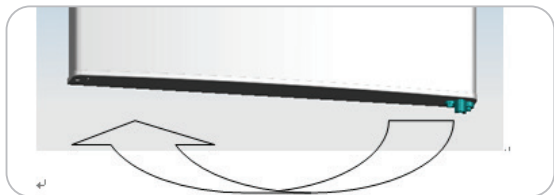
4. Отстранете винтовете, които фиксират долната панта с кръстатa отвертка.

Винтове, с които е прикрепена долната панта

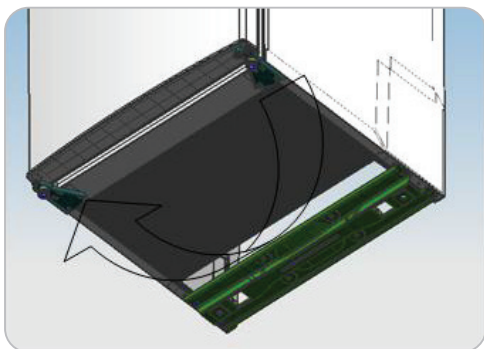


Забележка: ъгълът на наклон на фризера трябва да е по-малък от 45°.

5. Преместете долната лагерна втулка на вратата и ограничителния блок.



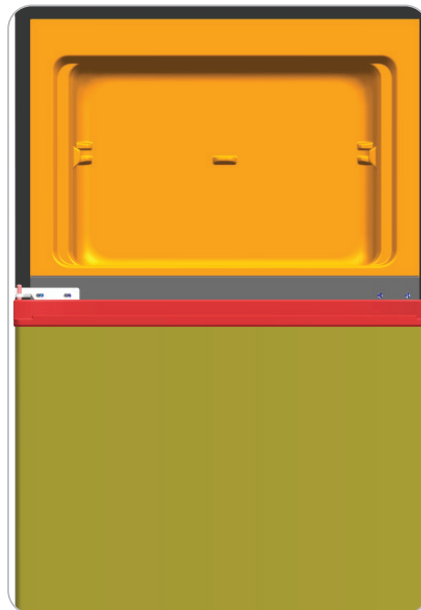
6. Преместете долната панта от другата страна, след което я фиксирайте с винтове.



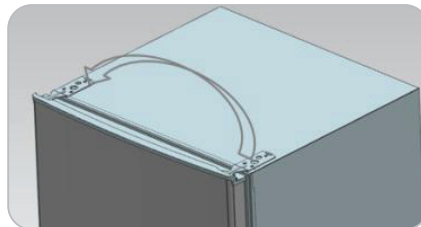
7. Преместете средната панта.



8. Поставете долната врата в подходящото положение и закрепете средната панта.



9. Преместете горната панта.

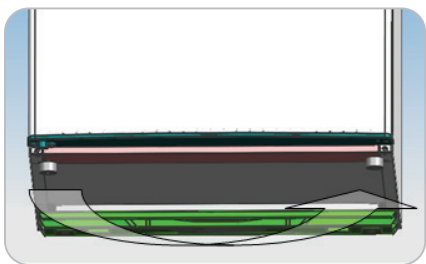


10. Поставете вратата в правилната позиция в дясно, фиксирайте горната панта и горния капак на фризера



11. Поставете четирите капачки на винтовете и двата фиксатора в съответното положение.
- Уверете се, че уредът е изключен и празен.
- Регулирайте двете нивелиращи крачета в най-високата им позиция.
- Препоръчваме ви да намерите някого, който да Ви съдейства.

12. Преместете нивелиращото краче от другата страна и го регулирайте, за да сте сигурни, че хладилникът е нивелиран.

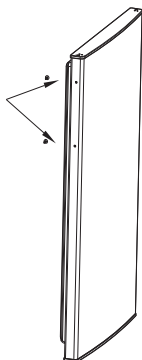


Изображенията са само с илюстративна цел. Действителната конфигурация ще зависи от конкретния продукт или изявлението на дистрибутора)

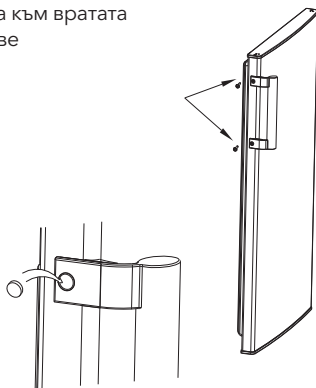
Монтиране на дръжката на вратата (опционално)

Забележка: Изображенията, предоставени в ръководството с потребител е само за справка. Реалният продукт може да се различава до известна степен. • Хладилникът трябва да бъде изключен от източника на електрическо захранване, преди да се опитате да монтирате аксесоар.

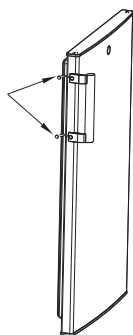
Стъпка 1: издърпайте двата щифта от вратата (от страни на вратата, когато е отворена)



Стъпка 2: Монтирайте дръжката към вратата и я закрепете с винтове



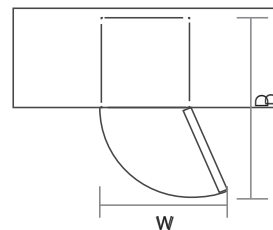
Стъпка 3: Покрийте отворите за винтовете с капачките



* Изображенията са само с илюстративна цел. Действителната конфигурация ще зависи от конкретния продукт или изявлението на дистрибутора)

Изисквания за пространство за отваряне на вратата

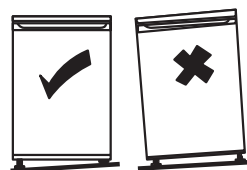
Необходимо е да се остави достатъчно място за пълно отваряне на вратата на устройството по начина, показан на фигурата. Ш × Д ≥ 902 × 1052 mm



Нивелиране на уреда

За да направите това, регулирайте двете регулиращи крачета в предната част на уреда. Ако уредът не е нивелиран, вратата и магнитното уплътнение няма да съвпадат правилно.

Преди употреба се уверете, че нивелиращото краче докосва повърхността. Гледайки отгоре, завъртете по посока на часовниковата стрелка или обратно на часовниковата стрелка, за да го развиете или завиете.



Почистване преди употреба:

Избършете вътрешността на уреда със слаб разтвор на сода за хляб. След това изплакнете с топла вода, като използвате „изцедена“ гъба или кърпа. Измийте рафтовете и отделението за зеленчуци в топла сапунена вода и ги изсушете напълно, преди да ги поставите отново в уреда. Почистете външната страна на устройството с влажна кърпа. Ако имате нужда от повече информация, вижте раздел Почистване.

Преди да използвате уреда

За да осигурите безопасност по време на употреба, не повреждайте захранващия кабел при никакви обстоятелства и не използвайте устройството, ако захранващият кабел е повреден или щепселът е износен. Не поставяйте запалими, експлозивни, летливи и силно корозивни вещества в хладилника, за да предотвратите повреда на продукта или инцидентен пожар. Не поставяйте запалими предмети близо до хладилника, за да избегнете възникването на пожар. Този продукт е битов хладилник и е подходящ само за съхранение на храни. Съгласно националните стандарти, хладилниците, предназначени за битова употреба, не трябва да се използват за други цели, като съхранение на кръв, лекарства или биологични продукти. Не поставяйте предмети като бутилирани течности или течности в затворени съдове, като бутилирани бири и напитки във фризера, за да избегнете спукване на съдовете и други повреди. Преди да поставите храна в уреда, включете го и изчакайте 24 часа, за да се уверите, че работи правилно, както и да осигурите достатъчно време, температурата да достигне подходящите стойности. Уредът не трябва да се препълва.



- **Преди свързване към електрическата мрежа** Трябва да се уверите, че разполагате с контакт, съвместим с щепсела, доставен с устройството.
- **Преди да включите устройството!** Не включвайте поне два часа след преместване на уреда

Вътрешни аксесоари

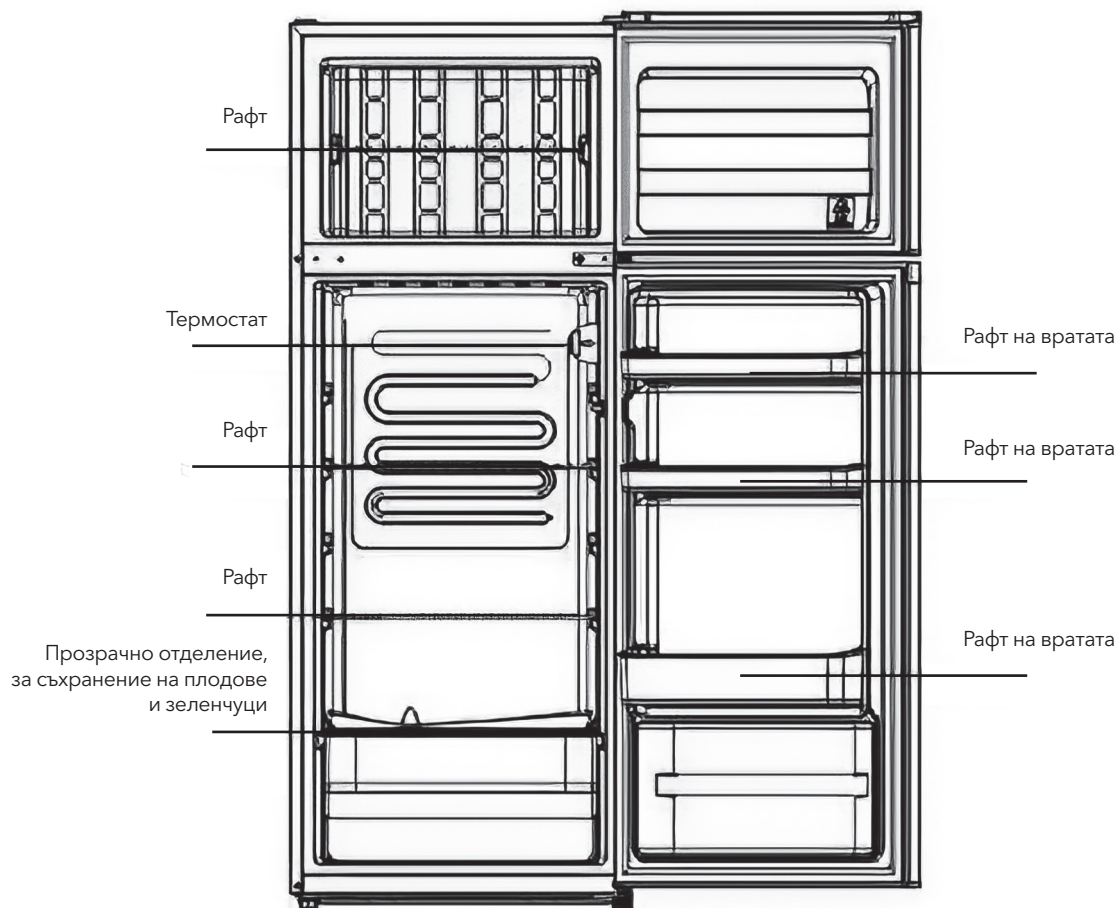
Вашето устройство съдържа различни рафтове за съхранение от стъкло или пластмаса - комбинациите варират в зависимост от модела.

Един от стъклените рафтове за съхранение, който покрива цялата повърхност на уреда, винаги трябва да бъде разположен на най-долните водачи, над отделенията за плодове и зеленчуци, и да се остави в това положение. За да направите това, издърпайте рафта за съхранение напред, до положение, в което може да се завърти нагоре или надолу и да се отстрани. За да поставите рафта на различна височина, следвайте горните стъпки, в обратен ред.



За да се възползвате максимално от обема на отделенията за съхранение на пресни храни и отделенията за съхранение на замразени храни, можете да премахнете един или повече рафтове и чекмеджета от уреда, в зависимост от Вашите ежедневни нужди.

ПРЕГЛЕД НА ПРОДУКТА



Оформлението на чекмеджета, кутиите за съхранение на храна, рафтове и др. разположени както е показано на снимката по-горе, допринася за най-оптимална енергийната ефективност на устройството.

*Изображенията са само с илюстративна цел.

Действителната конфигурация ще зависи от конкретния продукт или изявлението на дистрибутора

ЕКСПЛОАТАЦИЯ

Включване на Вашето устройство

Настройка „Off“ (изключено): Уредът е изключен

Настройка „Min“ (минимум): По-нисък капацитет на охлаждане

Настройка „Med“ или „MID“ (средно) Нормална работа (подходяща за повечето ситуации)

Настройка „Max“ (максимум): Най-ниска температура

- При високи температури на околната среда, напр. през горещите летни дни. Може да се наложи да настроите термостата на най-силно охлаждане (позиция „Max“). Това може да доведе до непрекъсната работа на компресора, за да се поддържа ниска температура в уреда.
- Когато първоначално настройвате хладилника, настройте копчето на термостата в положение „Med“. Оставете хладилника да се охлади напълно, преди да поставите в него храна. Най-добре е да изчакате 24 часа, преди да приберете храната в хладилника. Температурата се контролира чрез циферблата на термостата. Когато циферблата на термостата е в положение OFF (изключено), хладилникът няма да работи.

Шум във вътрешността на уреда!

Може да забележите, че вашето устройство издава необичайни звуци. Повечето от споменатите звуци са напълно нормални, но трябва да сте наясно с тях!

Звучите се причиняват от циркуляцията на течен хладилен агент в охладителната система. Това стана по-изразено след въвеждането на газове, които не съдържат хлорофлуоровъглерод (CFC). Това не е неизправност и няма да повлияе на работата

на вашето устройство. Това е двигателят на компресора, който работи, тъй като изпомпва хладилния агент в системата.

Съвети за съхранение на храна в уреда

- Готвеното месо/риба винаги трябва да се съхранява на различен рафт от сурово месо/риба, за да се избегне пренасянето на бактерии. Съхранявайте суровите меса/риби в контейнер, който е достатъчно голям, за да събира соковете и да го покрива правилно. Поставете контейнера на най-долния рафт.
- Оставете място около храната, за да може въздухът да циркулира във вътрешността на уреда. Уверете се, че всички части на уреда се поддържат студени.
- За да предотвратите пренасяне на вкусове и изсъхване, опаковайте храната отделно или я покривайте. Плодовете и зеленчуците не трябва да се увиват.
- Винаги оставяйте предварително приготвената храна да се охлади, преди да я поставите в уреда. Това ще помогне да се поддържа постоянна вътрешната температура на уреда.
- За да предотвратите загубата на студен въздух от устройството, опитайте се да ограничите броя на отварянията на вратата. Препоръчваме да отваряте вратата само когато трябва да поставите или извадите храна.

Смяна на крушката

Крушката трябва да бъде сменяна само от професионалисти

ПОЧИСТВАНЕ

Размразяване

ИМАЙТЕ ПРЕДВИД, ЧЕ ТОЗИ УРЕД НЕ РАЗПОЛАГА СЪС СИСТЕМА ЗА АВТОМАТИЧНО РАЗМРАЗЯВАНЕ.

Използвайте пластмасова шпатула за лед, когато почиствате леда от изпарителя. Не използвайте остри метални предмети.

Почистване на вътрешната и външната част на уреда

- За да подобрите охлаждащата функция и спестяването на енергия, редовно почиствайте праха зад хладилника и от основата.
- Проверявайте редовно уплътнението на вратата, за да се уверите, че върху него няма замърсявания. Почиствайте уплътнението на вратата с мека кърпа, потопена в сапунена вода или разреден препарат.
- Вътрешността на хладилника трябва да се почиства редовно, за да се избегне появата на неприятна миризма.
- Преди да почистите вътрешността на фризера, изключете го от контакта и извадете всички храни, напитки, рафтове, чекмеджета и др.
- Използвайте мека кърпа или гъба, за да почистите вътрешността на хладилника, с две супени лъжици сода за хляб в четвърт литър топла вода. След това изплакнете с вода и избършете. След почистване отворете вратата и я оставете да изсъхне естествено, преди да включите електрозахранването.
- За местата в хладилника, които трудно се почистват (като тесни отвори, пролуки или ъгли), се препоръчва да се избърсват редовно с мека кърпа, мека четка и др., и ако е необходимо в комбинация с помощен инструмент (като тънки пръчици), което предотвратява натрупването на замърсители или бактерии на споменатите места.

- Не използвайте сапун, перилен препарат, абразивен прах за почистване, спрейове и др., тъй като тези агенти могат да създадат неприятна миризма в хладилника или да замърсят храната.
- Почиствайте сектора за бутилки, рафтовете и чекмеджетата с мека кърпа с мека кърпа, напоена със сапунена вода или разреден препарат. Подсушете с мека кърпа или оставете да изсъхне естествено.
- Избършете външната повърхност на хладилника с мека кърпа, напоена със сапунена вода, препарат и др. и след това го изсушете с кърпа.
- Не използвайте твърди четки, почистващи гъби от стоманена тел, телени четки, абразиви (като паста за зъби), органични разтворители (като алкохол, ацетон, бананово масло и др.), вряща вода, киселинни или алкални агенти при почистване на фризера, тъй като тези агенти могат да повредят повърхностите и вътрешността на фризера. Врящата вода и органичните разтворители, като бензен, могат да деформират или повредят пластмасовите части.
- По време на почистването не изплаквайте повърхностите директно с вода или други течности, за да избегнете късо съединение или повреда на електроизолационните материали.

Съвети за почистване

От външната страна на уреда може да се появи конденз. Това може да се дължи на промяна в стайната температура. Избършете остатъците от влага. Ако проблемът продължава, моля, свържете се с квалифициран техник за съдействие

ПОДДРЪЖКА

Смяна на осветителната крушка

Крушката трябва да бъде сменена само от професионалисти.

Внимание при работа/Преместване на уреда

Когато го премествате, захващайте устройството около страните или основата. В никакъв случай не трябва да се повдига, като се държат само ръбовете на горната повърхност.

Обслужване

Уредът трябва да се обслужва от оторизиран сервизен център и да се използват само оригинални резервни части. При никакви

обстоятелства не се опитвайте да ремонтирате устройството сами. Ремонтите, извършени от неопитни лица, могат да причинят нараняване или сериозна неизправност. Свържете се с квалифициран техник.

Изключване за дълги периоди от време

Когато уредът няма да бъде използван за дълъг период от време, изключете го от електрическата мрежа, извадете цялата храна и почистете уреда, оставяйки вратата отворена, за да предотвратите възникването на неприятни миризми.

ОТСТРАНЯВАНЕ НА НЕИЗПРАВНОСТИ

Следните прости проблеми могат да бъдат решени самостоятелно от потребителя. Моля, обадете се на отдела за следпродажбено обслужване, ако проблемите не бъдат разрешени.

Уредът не работи	<ul style="list-style-type: none"> Независимо дали фризерът е включен и свързан към захранването; Ниско напрежение; Неизправност на захранването или изключващата верига
Неприятна миризма	<ul style="list-style-type: none"> Хранителните продукти с по-остра миризма трябва да се опаковат плътно; Проверете дали храната не е развалена; Проверете дали вътрешността на устройството трябва да се почисти.
Дълготрайна работа на компресора	<ul style="list-style-type: none"> Нормално е хладилникът да работи по-дълго през лятото, когато външната температура е по-висока; Не слагайте наведнъж твърде много храна във фризера; Не поставяйте храна в уреда, докато не се охлади; Често отваряне на вратата на хладилника.
Вътрешното осветление не се включва	<ul style="list-style-type: none"> Проверете дали хладилникът е свързан към електрозахранването и дали осветителната лампа не е повредена
Вратата на хладилника не може да се затвори правилно	<ul style="list-style-type: none"> Вратата е възпрепятствана от пакети с храни; В уреда е поставена твърде много храна Хладилникът е наклонен.
Силен шум	<ul style="list-style-type: none"> Уверете се, че храната стои изправена и хладилникът е балансиран; Уверете се, че частите на хладилника са монтирани правилно.

Съвети

- По време на работа, особено през летните месеци, корпусът на хладилника може да излъчва топлина, генерирана от излъчването на кондензатора, което е често срещано явление.
- Конденз: при наличие на висока влажност в помещението по външните повърхности и уплътнения на вратата на фризера ще

се образува конденз. Това е нормално явление и кондензът може да се изтрие със суха кърпа.

- Бръмчене: По време на работа компресорът ще бръмчи, особено когато при включване или изключване.

СЪВЕТИ ЗА ИКОНОМИЯ НА ЕНЕРГИЯ

Предупреждение относно енергоспестяването

- Хладилните уреди може да не работят равномерно (потенциално размразяване на съдържанието или температурата да стане твърде висока в отделението за замразени храни), ако са настроени за дълги периоди от време на стойности, по-ниски от температурните диапазони, за които хладилното устройство е предназначено.
- Газирани напитки не трябва да се съхраняват в отделение или отделение за замразяване на храна или в чекмеджета или отделения на хладилника, в които температурата е ниска, а някои продукти, като кубчета лед, не трябва да се консумират, ако са твърде студени;
- Необходимо е да се внимава, когато съхранявате храна в отделенията или чекмеджетата на хладилника за замразяване на храна, да не надвишава срока на годност, препоръчан от производителя, за всякакъв вид храни и по-специално за бързо замразени храни;
- Трябва да се вземат необходимите мерки за предотвратяване на прекомерно повишаване на температурата на замразените храни по време на размразяване на хладилния уред, като опаковките замразената храна в няколко слоя вестникарска хартия.
- Повишаването на температурата на замразените храни по време на ръчно размразяване, поддръжка или почистване, може да съкрати срока на годност на продуктите.
- За врати и капаци, оборудвани с ключалки и ключове, е необходимо да държите споменатите ключове на място, недостъпно за деца, и никога в близост до хладилника, за да се предотврати заключването на децата вътре в устройството.
- Отварянето на вратата за по-продължително време може да доведе до значително повишаване на температурата в отделенията на уреда.

8. Почиствайте редовно повърхностите, които влизат в контакт с храната, както и достъпните части на дренажната система
9. Почиствайте резервоарите за вода, ако не са били използвани в продължение на 48 часа; промийте водната система, свързана към водопровода, ако водата не е била сменяна в продължение на 5 дни.
10. Съхранявайте суровото месо и риба в хладилника в подходящи съдове, така че да не влиза в контакт с останалата храна или да капе върху нея.
11. Ако хладилният уред няма да бъде ползван за продължителен период от време, изключете го, размразете, почистете и го подсушете, а след това оставете вратата на уреда отворена, за да предотвратите появата на мухъл в уреда.

ОТСТРАНЯВАНЕ ОТ УПОТРЕБА

Старите уреди все още имат някаква остатъчна стойност. Екологосъобразният метод за отстраняване от употреба ще гарантира, че ценните суровини могат да бъдат възстановени и използвани отново. Хладилният агент, използван във вашия уред, и изолационните материали изискват прилагането на специални процедури за изхвърляне. Уверете се, че нито една от тръбите на гърба на уреда не е повредена преди изхвърлянето. Можете да получите актуална информация за възможностите за изхвърляне на старото ви устройство и опаковката на новото устройство от местната служба за управление на отпадъците.

Когато изхвърляте стар уред, счупете всички стари ключалки или дръжки и отстранете вратата като предпазна мярка.

Правилно отстраняване от употреба на този продукт:



Правилно отстраняване от употреба на този продукт:

Тази маркировка показва, че този продукт не трябва да се изхвърля заедно с други битови отпадъци в целия ЕС. За да предотвратите възможни щети върху околната среда или човешкото здраве поради неконтролираното изхвърляне на отпадъци, рециклирайте ги отговорно, за да насърчите устойчивото повторно използване на материалните ресурси. За да върнете използваното устройство, използвайте системата за връщане събиране или се свържете с търговеца, от когото сте закупили продукта. Те могат да вземат от Вас този продукт и да го рециклират безопасно.

За повече информация, моля, свържете се с местните власти или търговеца, от когото сте закупили продукта.

Таблица 1 Климатични класове

Класа	Символ	Температурен диапазон на околната среда °C
Субнормален климат	SN	+ 10 до +32
Нормален климат	N	+ 16 до +32
Субтропичен климат	ST	+ 16 до + 38
Тропичен климат	T	+ 16 до + 43

Субнормален климат: този хладилен уред е предназначен за използване при температури на околната среда, вариращи от 10 °C до 32 °C; Субтропичен температурен диапазон: този хладилен уред е предназначен за използване при температури на околната среда, вариращи от 16 °C до 32 °C; Субтропичен температурен диапазон: този хладилен уред е предназначен за използване при температури на околната среда, вариращи от 16 °C до 38 °C;

Тропичен климат: този хладилен уред е предназначен за използване при температури на околната среда, вариращи от 16 °C до 43 °C;

ΠΡΟΕΙΔΟΠΟΙΗΣΕΙΣ ΑΣΦΑΛΕΙΑΣ



Προειδοποίηση: Κίνδυνος πυρκαγιάς / εύφλεκτα υλικά

- ΑΥΤΗ η συσκευή προορίζεται για χρήση σε οικιακές και παρόμοιες εφαρμογές, όπως στην κουζίνα προσωπικού σε καταστήματα, γραφεία και άλλα εργασιακά περιβάλλοντα, σε αγροικίες και από πελάτες σε ξενοδοχεία, μοτέλ και άλλους χώρους διαμονής, σε χώρους καταλυμάτων με πωινό, για σκοπούς τροφοδοσίας και σε παρόμοιες εφαρμογές μη λιανικής πώλησης.
- ΑΥΤΗ η συσκευή δεν προορίζεται για χρήση από άτομα (συμπεριλαμβανομένων των παιδιών) περιορισμένης σωματικής, αισθητηριακής ή νοητικής ικανότητας ή άτομα στερούμενα της κατάλληλης πείρας και γνώσης, παρά μόνο εφόσον βρίσκονται υπό επίβλεψη ή έχουν λάβει τις κατάλληλες οδηγίες για τη χρήση της συσκευής από άτομο υπεύθυνο για την ασφάλειά τους.
- Τα παιδιά θα πρέπει να επιβλέπονται, ώστε να διασφαλίζεται ότι δεν παίζουν με τη συσκευή.
- Εάν το καλώδιο τροφοδοσίας υποστεί ζημιά, πρέπει να αντικατασταθεί από τον κατασκευαστή, τον αντιπρόσωπο σέρβις ή από ομοίως εξειδικευμένα άτομα προς αποφυγή τυχόν κινδύνων.
- ΜΗΝ αποθηκεύετε εκρηκτικές ουσίες, όπως δοχεία αεροζόλ με εύφλεκτο προωθητικό σε αυτήν τη συσκευή.
- Η συσκευή πρέπει να αποσυνδέεται από την πηγή τροφοδοσίας μετά τη χρήση και πριν από την εκτέλεση εργασιών συντήρησης από τον χρήστη.
- **ΠΡΟΕΙΔΟΠΟΙΗΣΗ:** Διατηρήστε ελεύθερες τις οπές εξαερισμού που βρίσκονται στο περίβλημα της συσκευής ή στο ενσωματωμένο πλαίσιο αυτής απομακρύνοντας τυχόν εμπόδια.
- **ΠΡΟΕΙΔΟΠΟΙΗΣΗ:** Μη χρησιμοποιείτε μηχανικές συσκευές ή οποιαδήποτε άλλα μέσα για να επιταχύνετε τη διαδικασία απόψυξης, εκτός από αυτά που συνιστώνται από τον κατασκευαστή.
- **ΠΡΟΕΙΔΟΠΟΙΗΣΗ:** Μην προκαλείτε ζημιά στο κύκλωμα ψυκτικού υγρού.
- **ΠΡΟΕΙΔΟΠΟΙΗΣΗ:** Μη χρησιμοποιείτε άλλες ηλεκτρικές συσκευές στο εσωτερικό των διαμερισμάτων αποθήκευσης τροφίμων της συσκευής, εκτός αν ανήκουν στα είδη των συσκευών που συνιστώνται από τον κατασκευαστή.
- **ΠΡΟΕΙΔΟΠΟΙΗΣΗ:** Απορρίψτε το ψυγείο σύμφωνα με τους τοπικούς κανονισμούς, διότι περιέχει εύφλεκτο αέριο εμφύσησης και ψυκτικό.
- **ΠΡΟΕΙΔΟΠΟΙΗΣΗ:** Κατά την τοποθέτηση της συσκευής, βεβαιωθείτε ότι το καλώδιο τροφοδοσίας δεν έχει μαγκώσει ή υποστεί ζημιά.
- **ΠΡΟΕΙΔΟΠΟΙΗΣΗ:** Μην τοποθετείτε φορητά πολύριζα ή φορητά τροφοδοτικά στο πίσω μέρος της συσκευής.
- ΜΗ χρησιμοποιείτε καλώδια πρόεκτασης (μπαλαντέζες) ή προσαρμογείς δύο ακίδων χωρίς γείωση.
- **ΚΙΝΔΥΝΟΣ:** Κίνδυνος εγκλωβισμού παιδιών. Πρωτού απορρίψετε το παλιό σας ψυγείο ή καταψύκτη:
 - Αφαιρέστε τις πόρτες.
 - Αφήστε τα ράφια στη θέση τους ούτως ώστε να μην είναι εύκολο για τα παιδιά να σκαρφαλώσουν στο εσωτερικό της συσκευής.
- ΠΡΟΤΟΥ επιχειρηθεί η εγκατάσταση οποιουδήποτε παρελκομένου, το ψυγείο πρέπει να αποσυνδεθεί από την πηγή ηλεκτρικής τροφοδοσίας.
- Το ΨΥΚΤΙΚΟ και ο αφριστικός παράγοντας κυκλοπεντάνιο που χρησιμοποιούνται στο ψυγείο είναι εύφλεκτα υλικά. Επομένως,
 - όταν το ψυγείο απορρίπτεται, θα πρέπει να απομονώνεται από οποιαδήποτε πηγή γυμνής φλόγας και να ανακυκλώνεται από ειδική εταιρεία ανακύκλωσης που φέρει κατάλληλη πιστοποίηση αντί να καίγεται, έτσι ώστε να μην προκληθεί ζημιά στο περιβάλλον ή οποιαδήποτε άλλη βλάβη.
- **ΣΧΕΤΙΚΑ** με το πρότυπο EN: Αυτή η συσκευή μπορεί να χρησιμοποιείται από παιδιά ηλικίας 8 ετών και άνω και από άτομα με μειωμένες σωματικές, αισθητηριακές ή διανοητικές ικανότητες ή άτομα που στερούνται την κατάλληλη εμπειρία και γνώση, εφόσον είναι υπό επίβλεψη ή τους έχουν δοθεί οδηγίες για τη χρήση της συσκευής με ασφαλή τρόπο και έχουν κατανοήσει τους κινδύνους που υπάρχουν. Τα παιδιά δεν επιτρέπεται να παίζουν με τη συσκευή. Οι εργασίες καθαρισμού και συντήρησης οι οποίες μπορούν να εκτελεστούν από τον χρήστη δεν επιτρέπεται να πραγματοποιούνται από παιδιά χωρίς επίβλεψη. Παιδιά ηλικίας από 3 έως 8 ετών επιτρέπεται να τοποθετούν και να αφαιρούν τρόφιμα σε και από ψυκτικές συσκευές.
- ΠΑ να αποφύγετε τη μόλυνση των τροφίμων, παρακαλείσθε να ακολουθείτε τις παρακάτω οδηγίες.
 - Το άνοιγμα της πόρτας για πολλή ώρα μπορεί να προκαλέσει σημαντική αύξηση της θερμοκρασίας στα διαμερίσματα της συσκευής.
 - Καθαρίζετε τακτικά τις επιφάνειες που μπορούν να έρθουν σε επαφή με τα τρόφιμα και τα προσβάσιμα συστήματα αποστράγγισης.
 - Καθαρίζετε τα δοχεία νερού εάν δεν έχουν χρησιμοποιηθεί για 48 ώρες. Ξεπλύνετε το σύστημα νερού που είναι συνδεδεμένο σε παροχή νερού, εάν δεν έχει αντληθεί νερό για 5 ημέρες (σημείωση 1).
 - Φυλάσσετε το ωμό κρέας και τα ωμά ψάρια σε κατάλληλα δοχεία στο ψυγείο, ώστε να μην έρχονται σε επαφή με άλλα τρόφιμα ούτε να στάζουν πάνω σε αυτά.
 - Τα διαμερίσματα κατάψυξης δύο (* *) αστερών ενδείκνυνται για την αποθήκευση προκατεψυγμένων τροφίμων, την αποθήκευση ή παρασκευή παγωτού και την παρασκευή παγοκύβων (σημείωση 2).
 - Τα διαμερίσματα ενός (*), δύο (* *), τριών (* * *) και τεσσάρων αστερών (* * * *) δεν είναι κατάλληλα για την κατάψυξη φρέσκων τροφίμων. (σημείωση 3)
 - Εάν η συσκευή παραμένει κενή για μεγάλα χρονικά διαστήματα, απενεργοποιήστε την, κάντε απόψυξη, καθαρίστε την, στεγνώστε την και αφήστε την πόρτα ανοιχτή, ώστε να αποτρέψετε την ανάπτυξη μυκήτων στο εσωτερικό της. -Για συσκευές χωρίς διαμέρισμα 4 αστερών: αυτή η συσκευή ψύξης δεν είναι κατάλληλη για την κατάψυξη τροφίμων (σημείωση 4).
- Σημείωση 1,2,3,4: Διαπιστώστε εάν ισχύει στην περίπτωση σας, ανάλογα με τον τύπο των διαμερισμάτων που διαθέτει η συσκευή σας.
- ΠΑ ανεξάρτητη συσκευή: αυτή η συσκευή δεν προορίζεται για χρήση ως εντοιχιζόμενη μονάδα.
- ΟΠΟΙΑΔΗΠΟΤΕ εργασία αντικατάστασης ή συντήρησης των λαμπτήρων LED πρέπει να πραγματοποιείται από τον κατασκευαστή, τον αντιπρόσωπο σέρβις ή ομοίως εξειδικευμένο άτομο. Ο λαμπτήρας είναι ενεργειακής κλάσης G.

ΕΓΚΑΤΑΣΤΑΣΗ

Θέση εγκατάστασης

Κατά την επιλογή της θέσης εγκατάστασης της συσκευής σας, πρέπει να διασφαλίσετε ότι το δάπεδο είναι επίπεδο και σταθερό και ότι το δωμάτιο αερίζεται καλά. Αποφύγετε να τοποθετήσετε τη συσκευή σας κοντά σε πηγή θερμότητας, π.χ. κουζίνα, θερμοσίφωνα ή σώμα καλοριφέρ.

Επίσης, αποφύγετε το άμεσο ηλιακό φως, αφού μπορεί να οδηγήσει σε αύξηση της κατανάλωσης ηλεκτρικής ενέργειας. Οι εξαιρετικά χαμηλές θερμοκρασίες περιβάλλοντος μπορεί επίσης να έχουν ως αποτέλεσμα

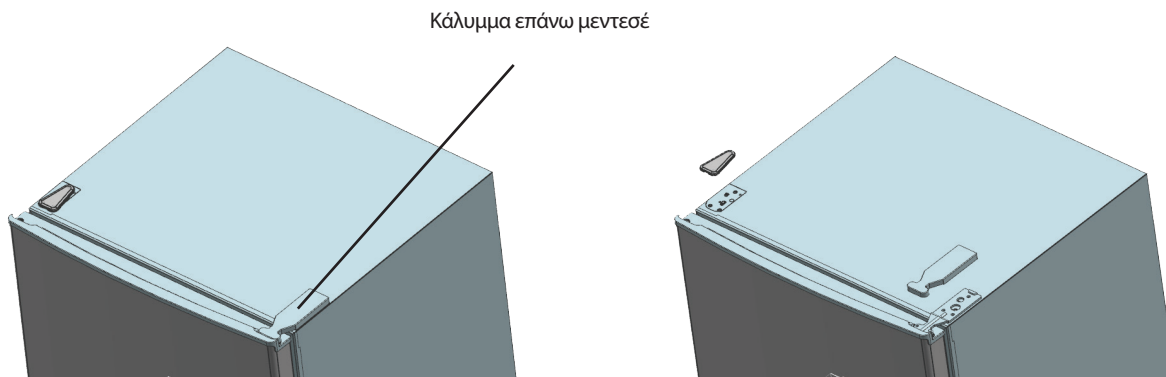
τη μη ορθή λειτουργία της συσκευής. Αυτή η συσκευή δεν έχει σχεδιαστεί για χρήση σε γκαράζ ή εγκατάσταση σε εξωτερικό χώρο. Μην τυλίγετε τη συσκευή με κάλυμμα.

Κατά την εγκατάσταση της συσκευής, φροντίστε να υπάρχει κενό διάστημα 10 cm εκατέρωθεν και στο πίσω μέρος και 30 cm στο επάνω μέρος της συσκευής. Με αυτόν τον τρόπο, ο κρύος αέρας θα μπορεί να κυκλοφορεί γύρω από το ψυγείο και με τον τρόπο αυτό θα βελτιωθεί η αποτελεσματικότητα της διαδικασίας ψύξης.

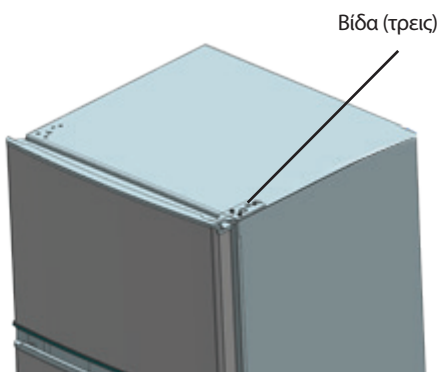
Αναστροφή της κατεύθυνσης ανοίγματος της πόρτας (προαιρετικά)

Απαιτούμενα εργαλεία: Κατσαβίδι τύπου Phillips / κατσαβίδι με επίπεδη μύτη / εξαγωνικό κλειδί

1. Αφαιρέστε το κάλυμμα του επάνω μεντεσέ.

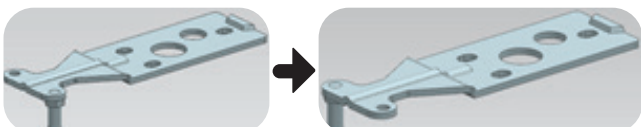


2. Αφαιρέστε τις βίδες στερέωσης του επάνω μεντεσέ με ένα σταυροκατσάβιδο. Βίδα (τρεις)

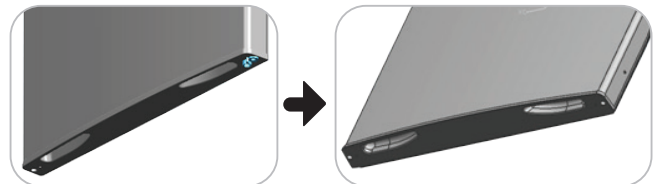


3. Επανατοποθετήστε τον επάνω μεντεσέ και το συγκρότημα αναστολέων της επάνω πόρτας και το έδρανο ολίσθησης της πόρτας στην αντίθετη πλευρά.

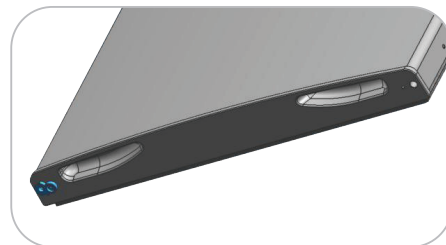
A. Αφαιρέστε το παξιμάδι μαζί με το περίβλημα. Αφαιρέστε τη ροδέλα και στη συνέχεια μεταφέρετε και τοποθετήστε τους μεντεσέδες στην άλλη πλευρά.



B. Αφαιρέστε το συγκρότημα αναστολέων της πόρτας.

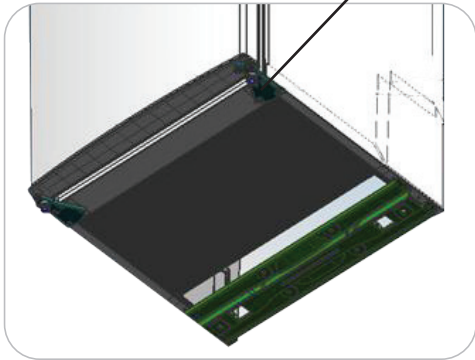


Γ. Αφαιρέστε το άλλο συγκρότημα αναστολέων της πόρτας που είναι προσαρτημένο με βίδες επάνω στην πόρτα.



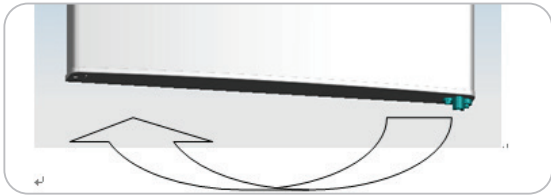
4. Αφαιρέστε τις βίδες στερέωσης του κάτω μεντεσέ με ένα σταυροκατσάβιδο.

Οι βίδες συγκρατούν τον κάτω μεντεσέ στη θέση του.

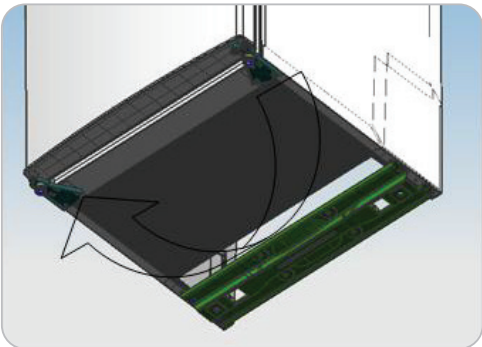


Σημείωση: γείρετε τον ψυγείοκαταψύκτη λιγότερο από 45°.

5. Επανατοποθετήστε το έδρανο ολίσθησης της κάτω πόρτας και το συγκρότημα των αναστολέων.



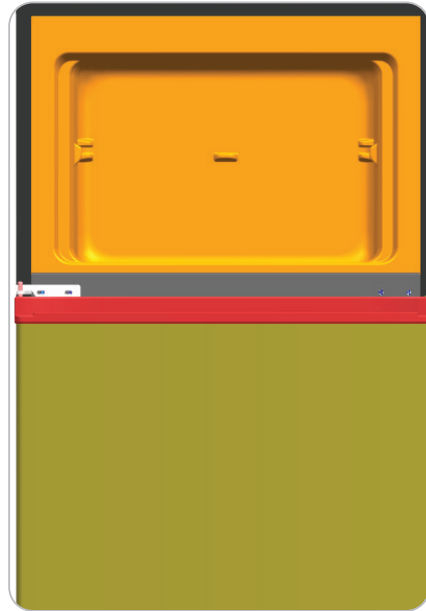
6. Επανατοποθετήστε τον κάτω μεντεσέ στην άλλη πλευρά και στη συνέχεια βιδώστε τον στη θέση του.



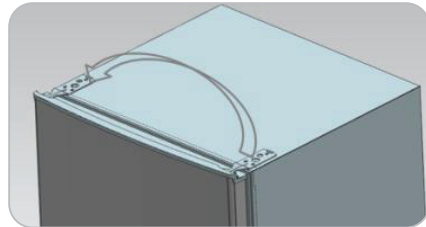
7. Επανατοποθετήστε τον μεσαίο μεντεσέ.



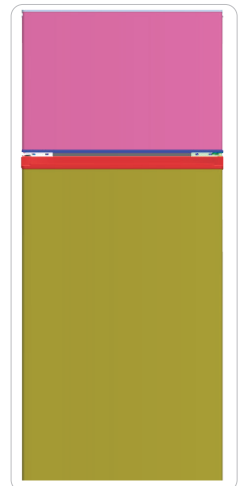
8. Τοποθετήστε την κάτω πόρτα στη δεξιά θέση, προσαρτήστε τον μεσαίο μεντεσέ.



9. Επανατοποθετήστε τον επάνω μεντεσέ.



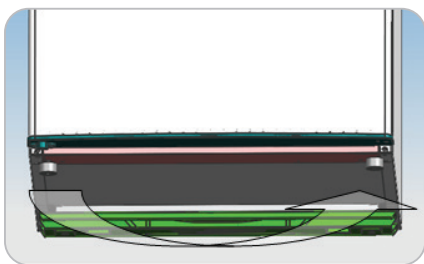
10. Προσαρτήστε την επάνω πόρτα στην κατάλληλη θέση και τοποθετήστε τον επάνω μεντεσέ και το κάλυμμα.



11. Τοποθετήστε τα καλύμματα των τεσσάρων βιδών και τις δύο διατάξεις ασφάλισης στην αντίστοιχη θέση.

- Βεβαιωθείτε ότι η συσκευή έχει αποσυνδεθεί από την τροφοδοσία και ότι είναι άδεια.
- Ρυθμίστε τα δύο πόδια οριζοντίωσης στο μέγιστο ύψος τους.
- Συνιστάται να το κάνετε με τη βοήθεια ενός άλλου ατόμου.

12. Τοποθετήστε ξανά το αλφάδι στην άλλη πλευρά και ρυθμίστε έτσι ώστε η συσκευή να είναι οριζοντιωμένη.

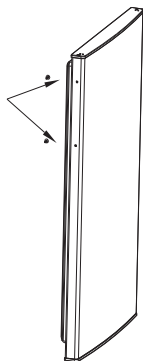


Η παραπάνω εικόνα εξυπηρετεί μόνο σκοπούς αναφοράς. Η πραγματική διαμόρφωση του προϊόντος εξαρτάται από τη διάταξη στο πραγματικό προϊόν ή τη δήλωση του διανομέα.

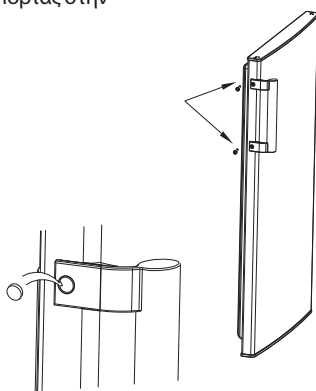
Εγκατάσταση συστήματος φωτισμού στη λαβή της πόρτας (προαιρετικά)

Σημείωση: Οι εικόνες στο εγχειρίδιο χρήστη παρέχονται μόνο για σκοπούς αναφοράς. Το πραγματικό προϊόν μπορεί να διαφέρει ελαφρώς. Προτού επιχειρηθεί η εγκατάσταση οποιουδήποτε παρελκομένου, το ψυγείο πρέπει να αποσυνδεθεί από την πηγή ηλεκτρικής τροφοδοσίας.

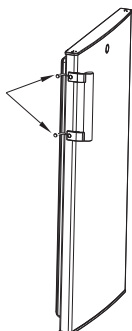
Βήμα 1: αφαιρέστε τους δύο πείρους από την πόρτα (στο πλάι της ανοιχτής πόρτας)



Βήμα 2: Τοποθετήστε τη λαβή της πόρτας στην πόρτα και στερεώστε τη με βίδες.



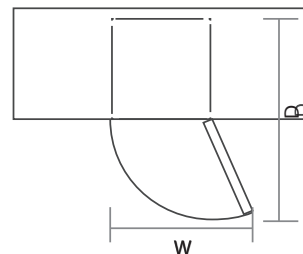
Βήμα 3: Τοποθετήστε τα καλύμματα των βιδών στις αντίστοιχες οπές.



*Η παραπάνω εικόνα εξυπηρετεί μόνο σκοπούς αναφοράς. Η πραγματική διαμόρφωση του προϊόντος εξαρτάται από τη διάταξη στο πραγματικό προϊόν ή τη δήλωση του διανομέα.

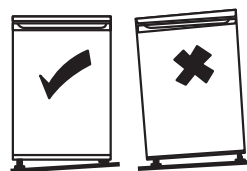
Χώρος μπροστά από την πόρτα

Η πόρτα της συσκευής πρέπει να μπορεί να ανοίγει πλήρως, όπως φαίνεται στην εικόνα. ΠχB≥902x1052mm



Οριζοντίωση της συσκευής

Για να γίνει αυτό, ρυθμίστε τα δύο πόδια οριζοντίωσης στο μπροστινό μέρος της συσκευής. Αν η συσκευή δεν είναι οριζοντιωμένη, η πόρτα και το μαγνητικό λάστιχο δεν θα ευθυγραμμίζονται σωστά. Πριν από τη χρήση, βεβαιωθείτε ότι το πόδι αγγίζει το δάπεδο. Όπως κοιπάτε τη συσκευή από πάνω προς τα κάτω, εάν γυρίσετε το πόδι προς τα δεξιά αυτό ασφαλίζει στη θέση του, ενώ εάν το γυρίσετε προς τα αριστερά χαλαρώνει.



Καθαρισμός πριν από τη χρήση

Σκουπίστε το εσωτερικό της συσκευής με ένα ασθενές διάλυμα διπτανθρακικού νατρίου. Στη συνέχεια, ξεπλύνετε με ζεστό νερό, χρησιμοποιώντας ένα σφουγγάρι ή πανί που έχετε στύψει καλά. Πλύνετε το ράφια και το συρτάρι λαχανικών με ζεστό σαπουνόνερο και στεγνώστε τα εντελώς πριν τα επανατοποθετήσετε στη συσκευή. Καθαρίστε το εξωτερικό μέρος της συσκευής με ένα βρεγμένο πανί. Αν χρειαστείτε περισσότερες πληροφορίες, ανατρέξτε στην ενότητα «Καθαρισμός».

Πριν από τη χρήση της συσκευής

Φροντίστε το καλώδιο τροφοδοσίας να μην υποστεί ζημιά, για να εξασφαλίσετε την ασφαλή χρήση της συσκευής. Μην το χρησιμοποιείτε αν έχει υποστεί ζημιά ή το φως έχει φθαρεί.

Για να αποφευχθούν οι ζημιές στο προϊόν και τα ατυχήματα λόγω πυρκαγιάς, μην τοποθετείτε εύφλεκτα, εκρηκτικά, πτητικά και εξαιρετικά διαβρωτικά αντικείμενα στο ψυγείο.

Για να αποφευχθεί ο κίνδυνος πυρκαγιάς, μην τοποθετείτε εύφλεκτα αντικείμενα κοντά στο ψυγείο.

Αυτό το προϊόν είναι οικιακό ψυγείο και είναι κατάλληλο μόνο για την αποθήκευση τροφίμων. Σύμφωνα με τα εθνικά πρότυπα, τα οικιακά ψυγεία δεν πρέπει να χρησιμοποιούνται για άλλους σκοπούς, όπως η αποθήκευση δειγμάτων αίματος, φαρμάκων ή βιολογικών προϊόντων. Μην τοποθετείτε στον καταψύκτη υγρά σε φιάλες ή σε σφραγισμένα δοχεία, όπως εμφιαλωμένες μπίρες και ποτά ώστε να μη «σκάσουν» και να μη σημειωθούν άλλες απώλειες.

Προτού τοποθετήσετε οποιοδήποτε είδος τροφίμου στη συσκευή σας, θέστε τη σε λειτουργία και περιμένετε 24 ώρες μέχρι να βεβαιωθείτε ότι λειτουργεί σωστά και προκειμένου να φτάσει στη σωστή θερμοκρασία. Δεν θα πρέπει να παραγεμίζετε τη συσκευή σας.



• Πριν από τη σύνδεση

Πρέπει να βεβαιωθείτε ότι έχετε πρίζα συμβατή με το φως που παρέχεται με τη συσκευή.

• Πριν από την ενεργοποίηση!

Μην θέτετε τη συσκευή σε λειτουργία προτού περάσουν δύο ώρες από τη μεταφορά της.

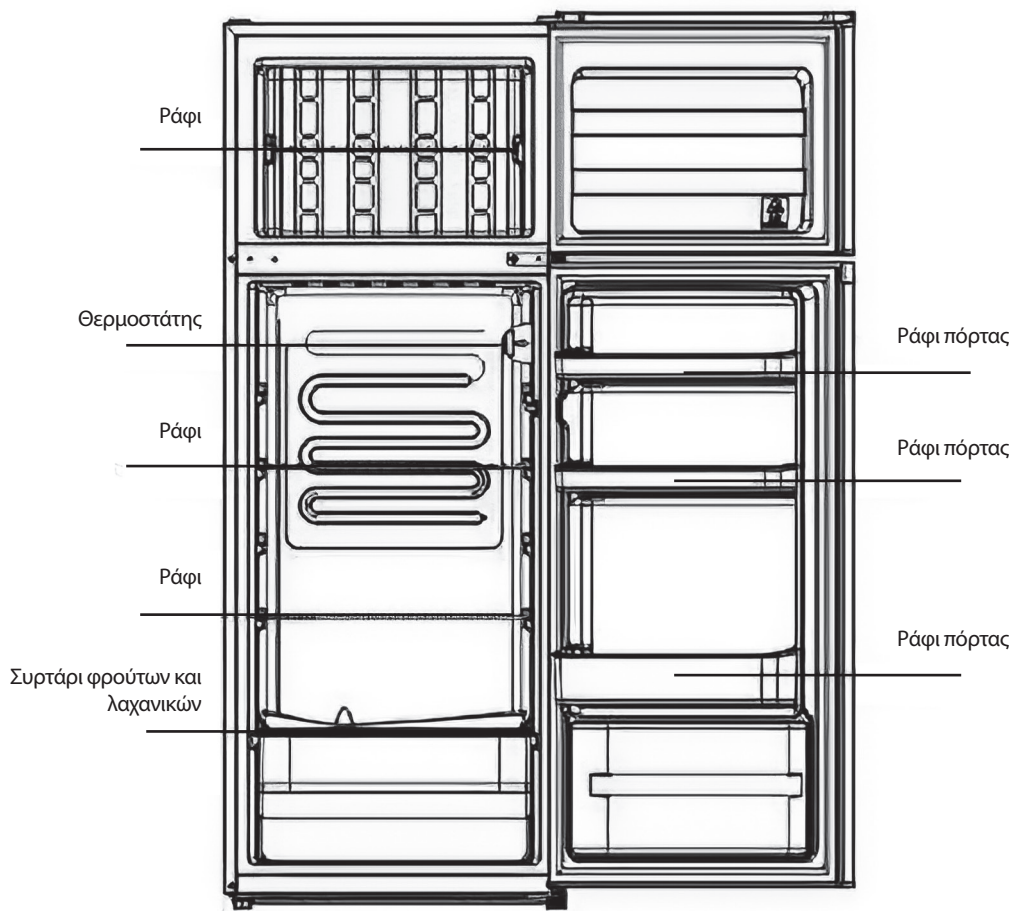
Εσωτερικά παρελκόμενα

Με τη συσκευή σας παρέχονται διάφορα γυάλινα ή πλαστικά ράφια αποθήκευσης. Ο συνδυασμός τους διαφέρει ανά μοντέλο. Θα πρέπει πάντα να ωθείτε ένα από τα πλήρους μεγέθους γυάλινα ράφια στη χαμηλότερη σειρά οδηγών, πάνω από τα συρτάρια φρούτων και λαχανικών, και να το διατηρείτε σε αυτή τη θέση. Για να το κάνετε αυτό, τραβήξτε το ράφι αποθήκευσης προς τα εμπρός μέχρι να μπορεί να κινείται προς τα πάνω ή προς τα κάτω και αφαιρέστε το. Κάντε την αντίστροφη διαδικασία για να τοποθετήσετε το ράφι σε διαφορετικό ύψος.



Για να αξιοποιήσετε στον μέγιστο δυνατό βαθμό τον χώρο φύλαξης νωπών και κατεψυγμένων τροφίμων, μπορείτε να αφαιρέσετε ένα ή περισσότερα ράφια ή συρτάρια από τη συσκευή, ανάλογα με τη χρήση που της κάνετε σε καθημερινή βάση.

ΕΠΙΣΚΟΠΗΣΗ ΠΡΟΪΟΝΤΟΣ



Όταν τα συρτάρια, τα φαγητοδοχεία, τα ράφια κ.λπ. τοποθετούνται με τον τρόπο που απεικονίζεται παραπάνω, διασφαλίζεται η βέλτιστη δυνατή ενεργειακή απόδοση της συσκευής.

*Η παραπάνω εικόνα εξυπηρετεί μόνο σκοπούς αναφοράς. Η πραγματική διαμόρφωση του προϊόντος εξαρτάται από τη διάταξη στο πραγματικό προϊόν ή τη δήλωση του διανομέα.

ΛΕΙΤΟΥΡΓΙΑ

Ενεργοποίηση της συσκευής

Ρύθμιση «Off» (Απενεργοποίηση): Ρύθμιση απενεργοποίησης συσκευής «Min» (Ελάχισ.): Ρύθμιση θερμοκρασίας σε χαμηλότερα επίπεδα «Med» ή «MID» (Μέτρια): Κανονική λειτουργία (επαρκής για την πλειοψηφία των περιπτώσεων) Ρύθμιση «Max» (Μέγ.): Η πιο κρύα θερμοκρασία

- Όταν επικρατούν υψηλές θερμοκρασίες περιβάλλοντος, π.χ. πολύ ζεστές καλοκαιρινές μέρες. Μπορεί να χρειάζεται να ρυθμίσετε τον θερμοστάτη στην πιο κρύα ρύθμιση [θέση «Max» (Μέγ.)]. Αυτό μπορεί να έχει ως αποτέλεσμα τη συνεχή λειτουργία του συμπιεστή, προκειμένου να διατηρηθεί χαμηλή η θερμοκρασία στο εσωτερικό της συσκευής.
- Μετά την εγκατάσταση του ψυγείου σας, ρυθμίστε αρχικά τον θερμοστάτη στη θέση «Med» (Μέτρια). Πριν προσθέσετε τρόφιμα, δώστε χρόνο στο ψυγείο σας να ψυχθεί πλήρως. Είναι καλύτερα να αναμένετε 24 ώρες προτού προσθέσετε τρόφιμα. Η ρύθμιση της θερμοκρασίας γίνεται μέσω του επιλογέα του θερμοστάτη. Όταν ο θερμοστάτης ρυθμιστεί στη θέση OFF (Απενεργοποίηση), το ψυγείο δεν λειτουργεί.

Θόρυβος στο εσωτερικό της συσκευής!

Μπορεί να παρατηρήσετε ότι η συσκευή σας κάνει περιέργους θορύβους. Οι περισσότεροι από αυτούς είναι απολύτως φυσιολογικοί, αλλά θα πρέπει να είστε ενημερωμένοι γι' αυτούς!

Αυτοί οι θόρυβοι προκαλούνται από την κυκλοφορία του ψυκτικού

ΚΑΘΑΡΙΣΜΟΣ

Απόψυξη

ΣΗΜΕΙΩΣΗ ΑΥΤΗ Η ΜΟΝΑΔΑ ΔΕΝ ΔΙΑΘΕΤΕΙ ΣΥΣΤΗΜΑ ΑΥΤΟΜΑΤΗΣ ΑΠΟΨΥΞΗΣ.

Χρησιμοποιείτε ένα πλαστικό ξέστρο για την αφαίρεση του πάγου από τον εξατμιστή. Μη χρησιμοποιείτε μεταλλικά αιχμηρά αντικείμενα.

Καθαρισμός του εσωτερικού και του εξωτερικού μέρους της συσκευής

- Η σκόνη που συσσωρεύεται πίσω από το ψυγείο και πάνω στο δάπεδο πρέπει να καθαρίζεται σε τακτά χρονικά διαστήματα για βελτιωμένη απόδοση ψύξης και εξοικονόμηση ενέργειας.
- Ελέγχετε το λάστιχο στεγανοποίησης της πόρτας σε τακτική βάση, για να βεβαιωθείτε ότι δεν έχουν συσσωρευτεί υπολείμματα στην επιφάνειά του. Καθαρίστε το λάστιχο στεγανοποίησης της πόρτας με ένα μαλακό βρεγμένο πανί και νερό με σαπούνι ή αραιωμένο καθαριστικό.
- Το εσωτερικό του ψυγείου πρέπει να καθαρίζεται τακτικά για την αποφυγή ανάπτυξης δυσάρεστων οσμών.
- Αποσυνδέστε τη συσκευή από την πηγή τροφοδοσίας πριν από τον καθαρισμό του εσωτερικού της και κατόπιν αφαιρέστε όλα τα τρόφιμα, τα ποτά, τα ράφια, τα συρτάρια κ.λπ.
- Χρησιμοποιήστε ένα μαλακό πανί ή σφουγγάρι για να καθαρίσετε το εσωτερικό του ψυγείου το οποίο θα έχετε εμποτίσει με μείγμα αποτελούμενο από δύο κουταλιές της σούπας μαγειρική σόδα και ένα τέταρτο ζεστό νερό. Στη συνέχεια, ξεπλύνετε με νερό και σκουπίστε. Μετά τον καθαρισμό, ανοίξτε την πόρτα και αφήστε τη συσκευή να στεγνώσει φυσικά προτού τη συνδέσετε στην πρίζα.
- Τα δυσπρόσιτα σημεία του ψυγείου που δεν είναι εύκολο να καθαριστούν (όπως στενές εσοχές, κενά ή γωνίες) συνιστάται να σκουπίζονται τακτικά με ένα μαλακό πανί, μια μαλακή βούρτσα κ.λπ.

στο σύστημα ψύξης. Έχουν γίνει πιο έντονοι μετά την εισαγωγή αερίων χωρίς φθοροχλωράνθρακες (CFC). Αυτό δεν είναι βλάβη και δεν επηρεάζει την απόδοση της συσκευής σας. Είναι ο ηλεκτροκινητήρας του συμπιεστή που λειτουργεί, καθώς προωθεί το ψυκτικό στο σύστημα.

Συμβουλές για τη διατήρηση των τροφίμων στη συσκευή

- Τα μαγειρεμένα κρέατα/ψάρια πρέπει πάντα να τοποθετούνται ένα ράφι πάνω από τα ωμά κρέατα/ψάρια, προκειμένου να αποφευχθεί η μεταφορά βακτηρίων. Διατηρείτε τα ωμά κρέατα/ψάρια σε ένα δοχείο που είναι αρκετά μεγάλο για να συλλέγει τους χυμούς και να τα καλύπτει σωστά. Τοποθετείτε το δοχείο στο χαμηλότερο ράφι.
- Αφήνετε κενό χώρο γύρω από τα δοχεία φαγητού, έτσι ώστε να μπορεί να κυκλοφορεί ο αέρας στο εσωτερικό της συσκευής. Βεβαιωθείτε ότι όλα τα μέρη της συσκευής διατηρούνται δροσερά.
- Για να προληφθεί η μεταφορά οσμών και η ξήρανση των τροφίμων, συσκευάζετε ή καλύπτετε κάθε τρόφιμο ξεχωριστά. Τα φρούτα και τα λαχανικά δεν χρειάζεται να τυλίγονται.
- Αφήνετε πάντα το μαγειρεμένο φαγητό να κρυώσει προτού το τοποθετήσετε στη συσκευή. Αυτό θα συμβάλει στη διατήρηση της εσωτερικής θερμοκρασίας της συσκευής.
- Για την αποτροπή της διαφυγής ψυχρού αέρα από τη συσκευή, προσπαθήστε να ανοίγετε λιγότερες φορές την πόρτα. Σας συνιστούμε να ανοίγετε την πόρτα μόνο όταν πρέπει να βάλετε ή να βγάλετε τρόφιμα.

Αλλαγή λαμπτήρα

Η αντικατάσταση των λαμπτήρων πρέπει να γίνεται από επαγγελματίες.

και, εφόσον είναι απαραίτητο, συνδυάζοντας κάποια βοηθητικά μέσα (όπως λεπτά μακριά αντικείμενα), προκειμένου να διασφαλιστεί ότι δεν συσσωρεύονται ακαθαρσίες ή βακτήρια σε αυτά τα σημεία.

- Μη χρησιμοποιείτε σαπούνι, απορρυπαντικό, λειαντική σκόνη, καθαριστικό σπρέι κ.λπ., καθώς μπορούν να προκαλέσουν δυσάρεστες οσμές στο εσωτερικό του ψυγείου ή επιμόλυνση των τροφίμων.
- Καθαρίστε το κάτω πλαίσιο, τα ράφια και τα συρτάρια με ένα μαλακό βρεγμένο πανί και νερό με σαπούνι ή αραιωμένο καθαριστικό. Στεγνώστε τη συσκευή με ένα μαλακό πανί ή αφήστε τη να στεγνώσει φυσικά.
- Σκουπίστε την εξωτερική επιφάνεια του ψυγείου με ένα μαλακό πανί βρεγμένο με σαπούνι και νερό, απορρυπαντικό κ.λπ. και μετά στεγνώστε την.
- Μη χρησιμοποιείτε σκληρές βούρτσες, σύρμα καθαρισμού, συρματόβουρτσες, λειαντικά (όπως οδοντόκρεμες), οργανικούς διαλύτες (όπως οινόπνευμα, ακετόνη, λάδι μπανάνας, κλπ.), βραστό νερό, όξινα ή αλκαλικά στοιχεία, που μπορούν να προκαλέσουν βλάβη στην
- επιφάνεια και το εσωτερικό του ψυγείου. Το βραστό νερό και οι οργανικοί διαλύτες, όπως το βενζόλιο, μπορούν να παραμορφώσουν ή να προκαλέσουν ζημιά στα πλαστικά μέρη.
- Για να αποφύγετε τα βραχυκυκλώματα και για να μην επηρεαστεί η ηλεκτρική μόνωση λόγω της επαφής με το νερό, μην ξεπλένετε απευθείας με νερό ή άλλα υγρά κατά τον καθαρισμό.

Συμβουλές για τον καθαρισμό

Μπορεί να εμφανιστεί συμπύκνωση στο εξωτερικό μέρος της συσκευής. Αυτό μπορεί να οφείλεται σε μεταβολή της θερμοκρασίας του δωματίου. Σκουπίστε τυχόν υπολείμματα υγρασίας. Αν το πρόβλημα συνεχιστεί, επικοινωνήστε με εξειδικευμένο τεχνικό για βοήθεια.

ΣΥΝΤΗΡΗΣΗ

Αλλαγή λαμπτήρα στο εσωτερικό της συσκευής

Η αντικατάσταση των λαμπτήρων πρέπει να γίνεται από επαγγελματίες.

Προσοχή κατά τον χειρισμό/τη μετακίνηση της συσκευής

Όταν μετακινείτε τη συσκευή, κρατάτε την από τα πλαϊνά μέρη ή τη βάση. Σε καμία περίπτωση δεν θα πρέπει να την ανυψώνετε κρατώντας την από τις προεξοχές της επάνω επιφάνειας.

Σέρβις

Η συσκευή πρέπει να συντηρείται από εξουσιοδοτημένο τεχνικό και

πρέπει να χρησιμοποιούνται μόνο γνήσια ανταλλακτικά. Σε καμία περίπτωση μην επιχειρήσετε να επισκευάσετε μόνοι σας τη συσκευή. Οι επισκευές που πραγματοποιούνται από ανεπίσημα άτομα, μπορεί να προκαλέσουν τραυματισμούς ή σοβαρές δυσλειτουργίες. Απευθυνθείτε σε εξειδικευμένο τεχνικό.

Εκτός λειτουργίας για μεγάλο χρονικό διάστημα

Όταν η συσκευή δεν πρόκειται να χρησιμοποιηθεί για μεγάλο χρονικό διάστημα, αποσυνδέστε την από την τροφοδοσία, αδειάστε όλα τα τρόφιμα και καθαρίστε την, αφήνοντας την πόρτα μισάνοιχτη για να αποτρέψετε την ανάπτυξη δυσάρεστων οσμών.

ΑΝΤΙΜΕΤΩΠΙΣΗ ΠΡΟΒΛΗΜΑΤΩΝ

Τα παρακάτω απλά ζητήματα μπορούν να αντιμετωπιστούν από τον χρήστη. Αν τα ζητήματα δεν διευθετηθούν, καλέστε το τμήμα εξυπηρέτησης μετά την πώληση.

Η συσκευή δεν λειτουργεί	Ελέγξτε εάν ο καταψύκτης είναι συνδεδεμένος στην πρίζα και αν τροφοδοτείται με ηλεκτρικό ρεύμα. Χαμηλή τάση. Διακοπή ρεύματος ή κύκλωμα απασφάλισης ασφαλειοδιακόπτη.
Δυσάρεστη οσμή	Τα δύο σωμα τρόφιμα πρέπει να τυλιγόνται προσεκτικά. Ελέγξτε αν υπάρχουν χαλασμένα τρόφιμα. Ελέγξτε αν το εσωτερικό της συσκευής πρέπει να καθαριστεί.
Μακροπρόθεσμη λειτουργία του συμπιεστή	Είναι φυσιολογικό το ψυγείο να λειτουργεί για μεγαλύτερο χρονικό διάστημα το καλοκαίρι, όταν η θερμοκρασία του περιβάλλοντος είναι υψηλότερη. Μην τοποθετείτε πάρα πολλά τρόφιμα στον καταψύκτη ταυτόχρονα. Μην τοποθετείτε ζεστά τρόφιμα στη συσκευή. Αφήνετέ τα να κρυώσουν. Συχνό άνοιγμα της πόρτας του ψυγείου.
Η λάμπα δεν ανάβει	Ελέγξτε εάν το ψυγείο είναι συνδεδεμένο στην παροχή ισχύος ή εάν ο λαμπτήρας έχει καεί.
Η πόρτα του ψυγείου δεν κλείνει σωστά.	Οι στοιβαγμένες συσκευασίες τροφίμων εμποδίζουν το κλείσιμο της πόρτας του καταψύκτη. Πάρα πολλά τρόφιμα. Το ψυγείο δεν είναι ευθυγραμμισμένη στο επίπεδο.
Έντονος θόρυβος	Ελέγξτε εάν τα τρόφιμα είναι οριζοντιωμένα, αν το ψυγείο πατάει σταθερά και αν τα εξαρτήματα του ψυγείου είναι σωστά τοποθετημένα.

Συμβουλές

- Το περίβλημα του ψυγείου μπορεί να εκπέμπει θερμότητα κατά τη λειτουργία, ειδικά το καλοκαίρι. Αυτό οφείλεται στην ακτινοβολία του συμπυκνωτή και είναι φυσιολογικό φαινόμενο.
- Συμπύκνωση: το φαινόμενο της συμπύκνωσης θα εντοπίζεται στην εξωτερική επιφάνεια και τα λάστιχα στεγανοποίησης της πόρτας του

καταψύκτη όταν η υγρασία του περιβάλλοντος είναι μεγάλη. Πρόκειται για ένα φυσιολογικό φαινόμενο και οι συμπυκνωμένοι υδρατμοί μπορούν να σκουπιστούν με μια στεγνή πετσέτα.

- Βόμβος: Θα παράγεται βόμβος κατά τη λειτουργία του συμπιεστή, ειδικά κατά την έναρξη ή τη διακοπή λειτουργίας.

ΣΥΜΒΟΥΛΕΣ ΓΙΑ ΕΞΟΙΚΟΝΟΜΗΣΗ ΕΝΕΡΓΕΙΑΣ

Προειδοποιήσεις σχετικά με την ενέργεια

1. Η λειτουργία των ψυκτικών συσκευών ενδέχεται να μην είναι ομαλή (πιθανότητα απόψυξης των περιεχόμενων τροφίμων ή πολύ μεγάλη άνοδος της θερμοκρασίας στο διαμέρισμα κατάψυξης), όταν αυτές βρίσκονται εγκατεστημένες για μεγάλο χρονικό διάστημα σε χώρο με θερμοκρασίες μικρότερες του κατώτατου ορίου θερμοκρασίας για το οποίο έχουν σχεδιαστεί.
2. Τα ανθρακούχα ποτά δεν πρέπει να αποθηκεύονται σε διαμερίσματα ή συρτάρια σε συνθήκες κατάψυξης ή χαμηλής θερμοκρασίας λειτουργίας και ορισμένα προϊόντα, όπως οι παγοκύβοι, δεν πρέπει να καταναλώνονται όταν είναι πολύ κρύα.
3. Δεν πρέπει να γίνεται υπέρβαση της διάρκειας αποθήκευσης που


συνιστάται από τους παρασκευαστές τροφίμων για οποιοδήποτε είδος τροφίμου και ιδίως για είδη γρήγορης κατάψυξης που διατίθενται στο εμπόριο στα διαμερίσματα κατάψυξης τροφίμων και στους καταψύκτες.

4. Πρέπει να λαμβάνονται τα απαραίτητα μέτρα προφύλαξης προκειμένου να παρεμποδιστεί η αναίτια αύξηση της θερμοκρασίας των κατεψυγμένων τροφίμων κατά την απόψυξη της συσκευής, όπως η τύλιξή τους σε στρώσεις εφημερίδων.
5. Η αύξηση της θερμοκρασίας των κατεψυγμένων τροφίμων σε περίπτωση μη αυτόματης απόψυξης, συντήρησης ή καθαρισμού της συσκευής θα μπορούσε να επιφέρει μείωση της διάρκειας αποθήκευσης

6. Όσον αφορά τις πόρτες ή τα καπάκια της συσκευής που διαθέτουν κλειδαριά, τα κλειδιά πρέπει να φυλάσσονται μακριά από τα παιδιά και όχι κοντά σε αυτήν, προκειμένου να αποφευχθεί το ενδεχόμενο εγκλωβισμού των παιδιών στο εσωτερικό της συσκευής.
7. Το άνοιγμα της πόρτας για πολλή ώρα μπορεί να προκαλέσει σημαντική αύξηση της θερμοκρασίας στα διαμερίσματα της συσκευής.
8. Καθαρίζετε τακτικά τις επιφάνειες που μπορούν να έρθουν σε επαφή με τα τρόφιμα και τα προσβάσιμα συστήματα αποστράγγισης.
9. Καθαρίζετε τα δοχεία νερού εάν δεν έχουν χρησιμοποιηθεί για 48 ώρες. Ξεπλύνετε το σύστημα νερού που είναι συνδεδεμένο στην παροχή νερού, εάν δεν έχει αντληθεί νερό για 5 ημέρες.
10. Φυλάσσετε το ωμό κρέας και τα ωμά ψάρια σε κατάλληλα δοχεία στο ψυγείο, ώστε να μην έρχονται σε επαφή με άλλα τρόφιμα ούτε να στάζουν πάνω σε αυτά.
11. Εάν ο καταψύκτης παραμείνει κενός για μεγάλα χρονικά διαστήματα, απενεργοποιήστε τον, κάντε απόψυξη, καθαρίστε τον, στεγνώστε τον και αφήστε την πόρτα ανοιχτή, ώστε να αποτρέψετε την ανάπτυξη μυκήτων στο εσωτερικό του.

ΑΠΟΡΡΙΨΗ

Οι παλιές συσκευές εξακολουθούν να έχουν κάποια υπολειμματική αξία. Μια φιλική προς το περιβάλλον μέθοδος απόρριψης θα εξασφαλίσει τη δυνατότητα ανάκτησης και επαναχρησιμοποίησης πολύτιμων πρώτων υλών. Το ψυκτικό που χρησιμοποιείται στη συσκευή σας και τα μονωτικά υλικά απαιτούν ειδικές διαδικασίες απόρριψης. Πριν από τη απόρριψη, βεβαιωθείτε ότι κανένας από τους σωλήνες στο πίσω μέρος της συσκευής δεν έχει υποστεί ζημιά. Επικαιροποιημένες πληροφορίες σχετικά με τις επιλογές απόρριψης της παλιάς συσκευής και των υλικών συσκευασίας της νέας μπορούν να ληφθούν από την τοπική υπηρεσία του δήμου σας. Κατά την απόρριψη μιας παλιάς συσκευής, σπάστε τυχόν παλιές κλειδαριές ή σύρτες και αφαιρέστε την πόρτα, ως μέτρο προστασίας.

Ορθή απόρριψη του προϊόντος	
	<p>Ορθή απόρριψη του προϊόντος</p> <p>Αυτή η σήμανση υποδεικνύει ότι αυτό το προϊόν δεν θα πρέπει να απορρίπτεται με άλλα οικιακά απόβλητα σε ολόκληρη την ΕΕ. Για να αποφευχθούν πιθανές ζημιές στο περιβάλλον ή την ανθρώπινη υγεία από την ανεξέλεγκτη διάθεση απορριμμάτων, ανακυκλώστε το υπεύθυνα για να προωθήσετε την αειφόρο επαναχρησιμοποίηση των υλικών πόρων. Για να επιστρέψετε τη μεταχειρισμένη συσκευή σας, χρησιμοποιήστε τα συστήματα επιστροφής και συλλογής ή επικοινωνήστε με το κατάστημα από το οποίο αγοράσατε το προϊόν. Εκεί μπορούν να παραλάβουν αυτό το προϊόν για περιβαλλοντικά ασφαλή ανακύκλωση.</p>

Για περισσότερες πληροφορίες, επικοινωνήστε με τις τοπικές αρχές ή το κατάστημα από το οποίο αγοράσατε το προϊόν.

Πίνακας 1 Κλιματικές κλάσεις

Κλάση	Σύμβολο	Εύρος θερμοκρασίας περιβάλλοντος °C
Εκτεταμένη εύκρατη	SN	+ 10 έως + 32
Εύκρατη	OXI	+ 16 έως +32
Υποτροπική	ST	+ 16 έως + 38
Τροπική	T	+ 16 έως + 43



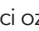

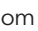
Εκτεταμένη εύκρατη: αυτή η ψυκτική συσκευή προορίζεται για χρήση σε θερμοκρασίες περιβάλλοντος που κυμαίνονται από 10 °C έως 32 °C.

Εύκρατη: αυτή η ψυκτική συσκευή προορίζεται για χρήση σε θερμοκρασίες περιβάλλοντος που κυμαίνονται από 16 °C έως 32 °C. Υποτροπική: αυτή η ψυκτική συσκευή προορίζεται για χρήση σε θερμοκρασίες περιβάλλοντος που κυμαίνονται από 16 °C έως 38 °C. Τροπική: αυτή η ψυκτική συσκευή προορίζεται για χρήση σε θερμοκρασίες περιβάλλοντος που κυμαίνονται από 16 °C έως 43 °C.

SIGURNOSNA UPOZORENJA



Upozorenje: rizik od požara / zapaljivi materijali

- OVAJ uređaj je namijenjen za upotrebu u domaćinstvima i sličnom okruženju poput kuhinja za osoblje u prodavaonicama, kancelarijama i drugom radnom okruženju; poljoprivrednih domaćinstava i hotela, motela i ostalih objekata rezidencijalnog tipa, gdje se stavlja na raspolaganje klijentima; objekata koji pružaju uslugu noćenja sa doručkom; cateringa i u slične neprodajne namjene.
 - NIJE predviđeno da ovaj uređaj koriste osobe (uključujući djecu) sa umanjnim fizičkim, senzornim ili mentalnim sposobnostima, ili sa nedostatkom iskustva i znanja, osim ukoliko su pod nadzorom osobe odgovorne za njihovu sigurnost ili ukoliko im je pomenuta osoba pružila objašnjenje u vezi sa upotrebom uređaja.
 - Djecu je potrebno nadgledati kako biste bili sigurni da se ne igraju uređajem.
 - UKOLIKO je kabel za napajanje oštećen, potrebno je da njegovu zamjenu obavi proizvođač, njegov ovlaštenu servisera ili osobe sa sličnim kvalifikacijama kako bi se izbjegao nastanak opasnosti.
 - NEMOJTE držati eksplozivne supstance poput aerosol boca sa zapaljivim potisnim plinom u ovom uređaju.
 - UREĐAJ je potrebno iskopčati iz utičnice nakon upotrebe, a prije njegovog korisničkog održavanja.
 - UPOZORENJE: Povedite računa da ventilacijski otvori ne budu blokirani unutar ugradbenog dijela ili ugradbene konstrukcije za uređaj.
 - UPOZORENJE: Ne upotrebljavajte mehanička sredstva ili druge postupke za ubrzavanje procesa otapanja, ukoliko nisu preporučeni od strane proizvođača.
 - UPOZORENJE: Ne oštećujte instalacije za rashladno sredstvo.
 - UPOZORENJE: Ne upotrebljavajte električne uređaje unutar odjeljaka za držanje hrane ovog uređaja, osim ukoliko su u pitanju tipovi uređaja preporučeni od strane proizvođača.
 - UPOZORENJE: Hladnjak odložite u skladu sa lokalnim propisima jer se za njegov rad upotrebljavaju zapaljivi eksplozivni plin i rashladno sredstvo.
 - UPOZORENJE: Prilikom pozicioniranja uređaja, uvjerite se da kabel za napajanje nije pritisnut ili oštećen.
 - UPOZORENJE: Nemojte postavljati prenosive produžne kablove sa više utičnica ili prenosive akumulatore iza uređaja.
 - NE upotrebljavajte produžne kablove ili neuzemljene (sa dva kraka) adaptere.
 - OPASNOST: Rizik od zatvaranja djece unutar uređaja. Prije nego što odbacite svoj stari hladnjak ili zamrzivač:
 - Skinite vrata.
 - Ostavite police unutar uređaja kako djeca ne bi mogla da se lako uvuku unutra.
 - PRIJE nego što se započne sa postupkom instalacije nekog pratećeg elementa, hladnjak je potrebno iskopčati sa izvora napajanja.
 - RASHLADNO sredstvo i pjenušavo sredstvo ciklopentan, koji se upotrebljavaju u okviru hladnjaka, su zapaljivi.
 - Stoga, prilikom odlaganja hladnjaka, držite ga dalje od izvora plamena i, umjesto da ga uništite sagorijevanjem, predajte ga nekoj od specijaliziranih tvrtki za recikliranje sa odgovarajućim kvalifikacijama kako bi se omogućilo njegovo ponovno iskorištenje, jer ćete na taj način spriječiti štetne efekte po životnu sredinu ili druge opasnosti.
 - ZA EN standard: Ovaj uređaj mogu upotrebljavati djeca starosti od 8 ili više godina i osobe sa umanjnim fizičko-senzornim ili mentalnim sposobnostima ili nedostatkom iskustva i znanja ukoliko su pod nadzorom ili su upućeni u sigurno korištenje uređaja i shvaćaju opasnosti koje njegova upotreba nosi. Djeca se ne smiju igrati uređajem. Djeca ne smiju obavljati čišćenje i korisničko održavanje uređaja bez nadzora. Djeca starosti od 3 do 8 godina mogu stavljati hranu u ili je uzimati iz uređaja za rashlađivanje.
 - KAKO biste izbjegli kontaminiranje hrane, pridržavajte se sljedećih uputstava:
 - Dugo držanje vrata uređaja otvorenim može dovesti do značajnog rasta temperature unutar odjeljaka uređaja.
 - Redovno čistite površine koje mogu doći u dodir sa hranom, kao i pristupačne dijelove odvodnog sistema.
 - Očistite posude za vodu ukoliko ih niste koristili tokom vremenskog perioda od 48 h; ukoliko tokom vremenskog perioda od 5 dana niste uzimali vodu iz uređaja, isperite sistem za protok vode povezan na dovod vode. (napomena 1)
 - Sirovo meso i ribu unutar frižidera držite u odgovarajućim posudama kako ove namirnice ne bi došle u dodir sa ili kako ne bi kapale po ostaloj hrani.
 - Odjeljci za smrznutu hranu označeni sa dvije zvjezdicama  pogodni su za držanje prethodno smrznute hrane, za držanje ili pravljenje sladoleda i za pravljenje kockica leda. (napomena 2)
 - Odjeljci označeni jednom , sa dvije , sa tri  ili četiri zvjezdice  nisu pogodni za zamrzavanje svježe hrane. (napomena 3)
 - Ukoliko će uređaj za rashlađivanje biti prazan tokom dužeg vremenskog perioda, isključite ga, odledite, očistite i osušite, a zatim ostavite vrata uređaja otvorenim kako biste spriječili razvoj plijesni u unutrašnjosti uređaja.
 - Kod uređaja koji nemaju odjeljak označen sa četiri zvjezdice: ovaj uređaj za rashlađivanje nije pogodan za zamrzavanje namirnica. (napomena 4)
- Napomene 1, 2, 3, 4: Provjerite da li su navedene informacije primjenjive na tipove odjeljaka Vašeg proizvoda.
- ZA samostojeće uređaje: nije predviđeno da se ovaj uređaj za rashlađivanje upotrebljava kao ugradbeni uređaj.
 - PREDVIĐENO je da svaki postupak zamjene ili održavanja LED lampica obavlja proizvođač, njegov ovlaštenu servisera ili lice sa sličnim kvalifikacijama. Lampica pripada klasi G energetske efikasnosti.

INSTALACIJA

Lokacija

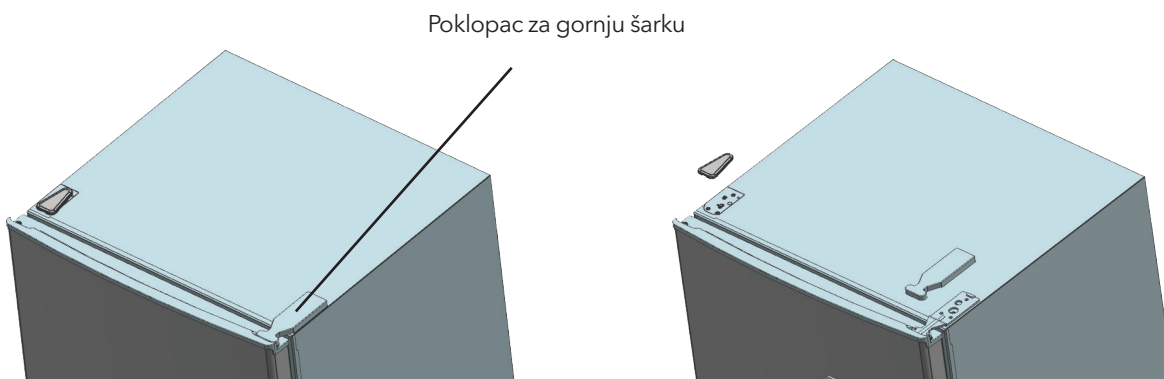
Prilikom izbora lokacije za Vaš uređaj, uvjerite se da je podloga ravna i čvrsta, kao i da je provjetrenost u prostoriji dobra. Izbjegavajte postavljanje uređaja u blizini izvora topline, npr. štednjaka, bojlera ili radijatora. Također, izbjegavajte direktno izlaganje suncu, jer ovo može dovesti do povećane potrošnje električne energije. Izuzetno niske sobne temperature također mogu prouzrokovati loš rad

uređaja. Ovaj uređaj nije namjenjen za korištenje u garažama, kao ni za postavljanje na otvorenom. Ne prekrivajte uređaj. Prilikom postavljanja, provjerite da li je sa obje strane uređaja ostavljen razmak širine 10 cm, kao i 10 cm od zadnje i 30 cm od gornje površine uređaja. Na ovaj način ćete omogućiti cirkuliranje hladnog zraka oko hladnjaka i poboljšati efikasnost postupka hlađenja.

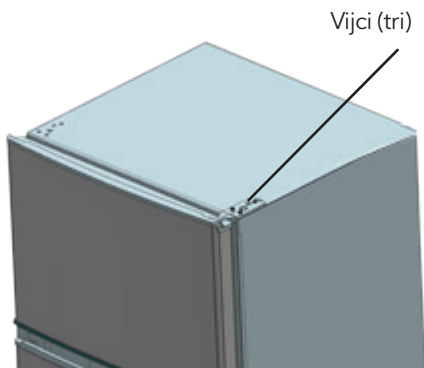
Promjena smjera otvaranja vrata (opcionalno)

Potreban alat: Križni odvijač / ravni odvijač / šesterokutni (imbus) ključ

1. Uklonite poklopac sa gornje šarke.

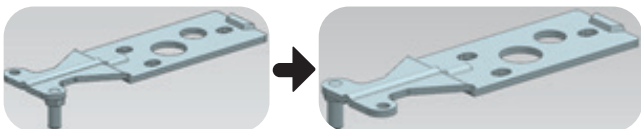


2. Pomoću križnog odvijača, uklonite vijke kojima je pričvršćena gornja šarka.



3. Premjestite gornju šarku i gornji graničnik za vrata, kao i nosač vrata na drugu stranu.

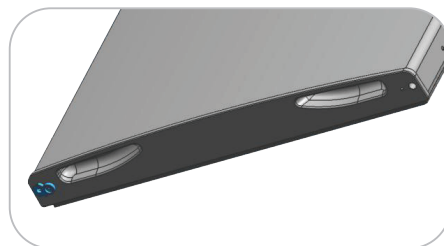
A. Uklonite maticu zajedno sa nosačem. Skinite podlošku, a zatim premjestite osovine na drugu stranu i pričvrstite ih.



B. Skinite graničnik za vrata

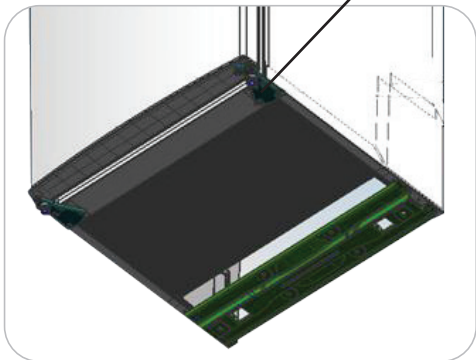


C. Molimo Vas da pripremite drugi graničnik za vrata i da ga vijcima pričvrstite za vrata



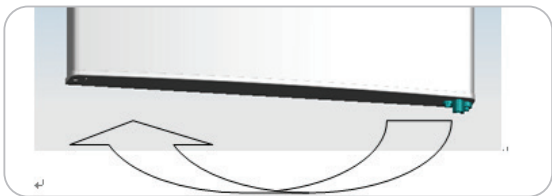
4. Skinite vijke kojima je pričvršćena donja šarka pomoću križnog odvijača.

vijci kojima je pričvršćena donja šarka

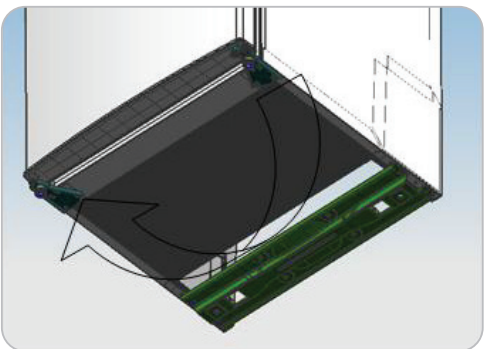


Napomena: ugao naginjanja frižidera-zamrzivača je manje od 45.

5. Promijenite mjesto donjem nosaču vrata i graničniku.



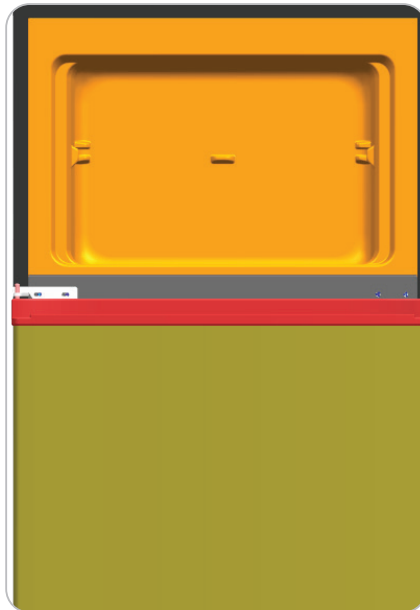
6. Premjestite donju šarku na drugu stranu, a zatim je pričvrstite vijcima.



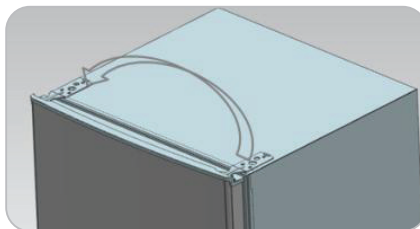
7. Premjestite središnju šarku.



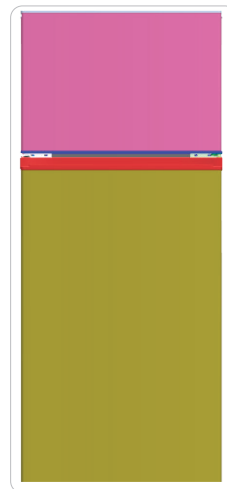
8. Postavite donja vrata u odgovarajuću poziciju i pričvrstite središnju šarku.



9. Premjestite gornju šarku.



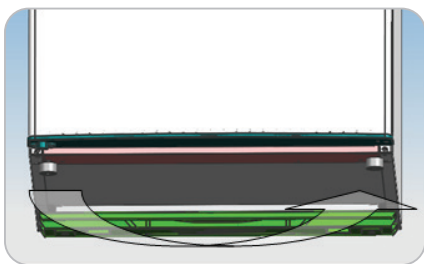
10. Podesite desnu gornju poziciju vrata, pričvrstite gornju šarku i poklopac.



11. Postavite četiri poklopca za vijke i dva utora na odgovarajuća mjesta.

- Uvjerite se da je uređaj isključen iz struje i ispražnjen.
- Dvije nožice za niveliranje podesite na najvišu poziciju.
- Preporučujemo Vam da ovo ne radite sami.

12. Prebacite nivelator na drugu stranu i podesite ga tako da budete sigurni da je uređaj izniveliran.

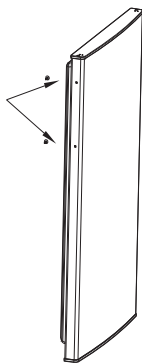


*Gornja slika je prikazana isključivo u ilustrativne svrhe. Stvarna konfiguracija ovisit će o samom uređaju ili izjavi distributera

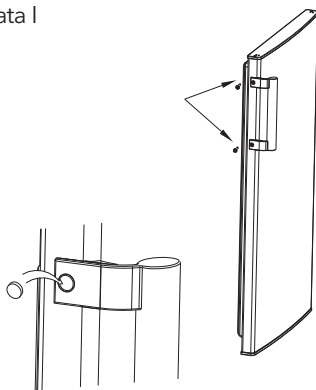
Postavljanje ručke za vrata (opciono)

Napomena: Ilustracije u korisničkom priručniku služe samo za ilustraciju. Proizvod može biti nešto drukčiji. Prije ugradnje pratećeg elementa, potrebno je isključiti hladnjak iz napajanja.

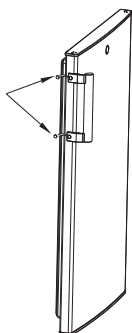
Korak 1: izvucite dva poklopca iz vrata (Bočna strana vrata, koja se otvara)



Korak 2: Postavite kvaku na vrata i pričvrstite je vijcima



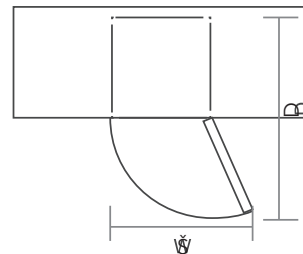
Korak 3: Pokrijte rupe za vijke na ručici s navojnim kpicama



*Gornja slika prikazana je isključivo u ilustrativne svrhe. Stvarna konfiguracija ovisit će o samom uređaju ili izjave distributera

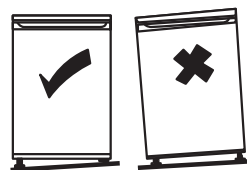
Potreban prostor za vrata

Potrebno je ostaviti dovoljno prostora za potpuno otvaranje vrata uređaja na način prikazan na slici. ŠxD ≥ 902 × 1052 mm



Niveliranje uređaja

Postiže se podešavanjem dviju nožica za niveliranje koje se nalaze na prednjoj strani uređaja. Ukoliko uređaj nije izniveliran, vrata i magnetna brtva neće se pravilno zatvoriti. Prije upotrebe provjerite da li nožica dodiruje podlogu. Gledano odozgo, okrećite u smjeru kretanja kazaljke na satu ili u smjeru suprotnom od kretanja kazaljke na satu radi otpuštanja ili zatezanja.



Čišćenje prije upotrebe

Unutrašnjost uređaja obrišite slabom otopinom sode bikarbone. Zatim isperite toplom vodom pomoću spužve ili krpe koju je moguće cijediti. Police i odeljak za salate operite toplom vodom sa sapunicom i potpuno ih osušite prije ponovnog postavljanja u uređaj. Vanjski dio uređaja očistite vlažnom krpom. Ukoliko Vam je potrebno više informacija, pogledajte odjeljak „Čišćenje“.

Prije upotrebe uređaja

Kako biste osigurali sigurnost prilikom upotrebe, ni pod kojim okolnostima ne oštećujte kabel za napajanje i ne upotrebljavajte uređaj ukoliko je kabel za napajanje oštećen ili ukoliko je utikač istrošen.

Da biste spriječili oštećenja proizvoda ili pojavu požara, ne stavljajte u hladnjak zapaljive, eksplozivne i isparljive predmete, kao ni predmete koji lako korodiraju.

Da biste izbjegli pojavu požara, ne stavljajte zapaljive predmete blizu hladnjaka.

Ovaj proizvod je hladnjak namijenjen za upotrebu u kućanstvima i pogodan je isključivo za čuvanje hrane. Prema nacionalnim standardima, hladnjaci namijenjeni za upotrebu u kućanstvima se ne smiju koristiti ni u kakve druge svrhe, kao što su skladištenje krvi, lijekova ili bioloških proizvoda.

Nemojte stavljati predmete u zamrzivač, kao što su tekućine u bocama ili tekućine u zatvorenim posudama kao što su piva ili pića u bocama kako biste izbjegli štetu.

Prije nego što u svoj uređaj stavite bilo kakvu hranu, uključite ga i pričekajte 24 sata, kako biste bili sigurni da radi na odgovarajući način i kako biste mu ostavili dovoljno vremena da temperaturu spusti na odgovarajuće vrijednost. Uređaj ne treba prepunjavati.



• Prije povezivanja na struju

Morate provjeriti da li imate utičnicu kompatibilnu sa utikačem dostavljenim uz uređaj.

• Prije nego što uključite uređaj!

Uređaj ne uključujte barem dva sata nakon njegovog prijenosa.

Unutrašnji prateći elementi

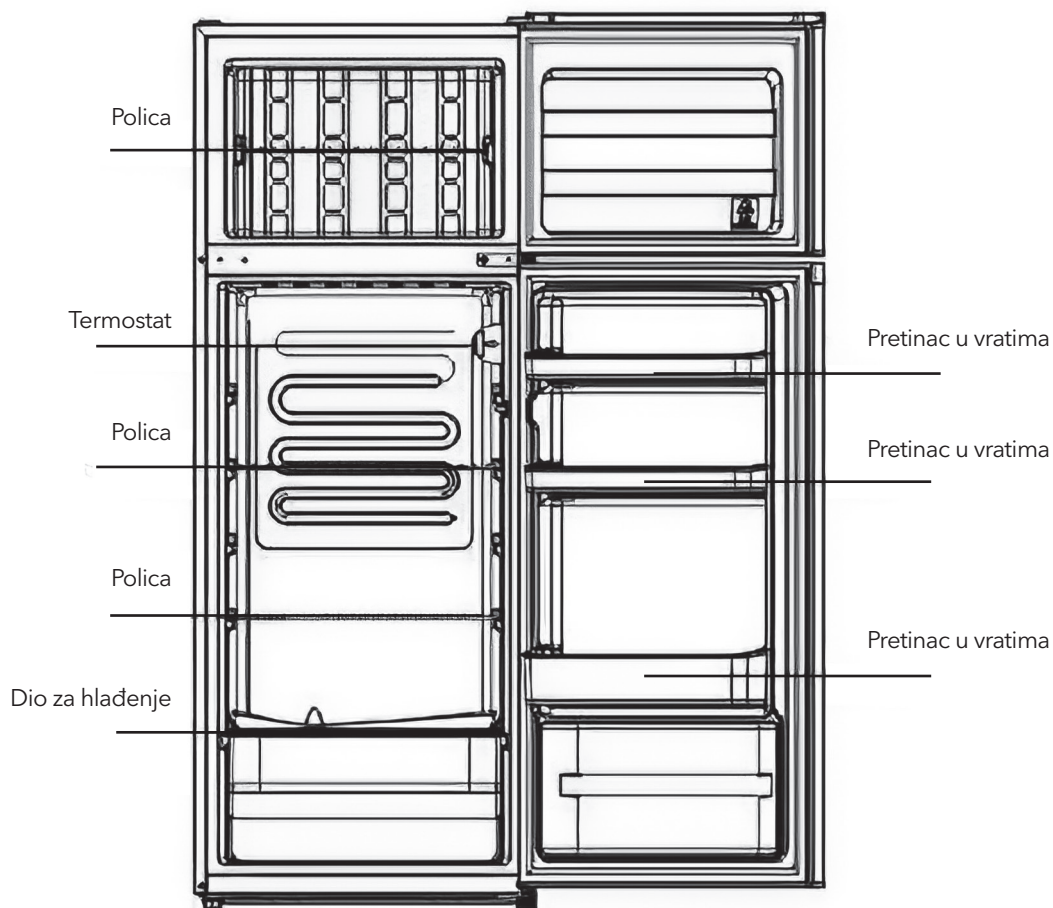
Vaš uređaj sadrži različite staklene ili plastične police za odlaganje - kombinacije se razlikuju zavisno od modela. Jednu od staklenih polica za odlaganje, koja pokriva cijelu površinu uređaja, uvijek treba pomicati u najnižim vodilicama, iznad odjeljka za voće i povrće i ostaviti ga tamo. Učinite to povlačenjem police naprijed do mjesta gdje ga je moguće okrenuti gore ili dolje i ukloniti.

Da biste postavili policu na neku drugu visinu, slijedite gore navedene korake, samo obrnutim redoslijedom.



Kako biste maksimalno povećali količinu svježih namirnica i skladištenje smrznute hrane, možete ukloniti jednu ili više polica i ladica s uređaja, ovisno o Vašim svakodnevnim potrebama.

PRIKAZ PROIZVODA



Raspored ladica, kutija za odlaganje hrane, polica itd. organiziran prema slici iznad u najvećoj mjeri doprinosi energetskej efikasnosti uređaja.

*Gornja slika prikazana je isključivo u ilustrativne svrhe. Stvarna konfiguracija ovisit će o samom uređaju ili izjavi distributera

RAD UREĐAJA

Uključivanje uređaja

- Podešavanje "Isključeno" (Off): Uređaj je isključen
- Podešavanje "Min": Manja jačina hlađenja
- Podešavanje "Med" ili "MID": Normalan rad (odgovara većini situacija)
- Podešavanje "Max": Najjače hlađenje
- Na visokim sobnim temperaturama, npr. Tijekom vrućih ljetnih dana možda će biti potrebno podesiti termostat na maksimalno hlađenje (Max položaj). To može dovesti do neprekidnog rada kompresora kako bi se održala niska temperatura uređaja.
- Prilikom prvog postavljanja hladnjaka, postavite termostatsku tipku na "MED". Prije nego što počnete s punjenjem hrane, ostavite da se hladnjak potpuno ohladi. Najbolje je pričekati 24 sata prije stavljanja hrane u hladnjak. Tipka termostata kontrolira temperature. Ukoliko je tipka za kontrolu termostata podešena na ISKLJUČENO (OFF), hladnjak neće raditi.

Buka unutar uređaja!

Možda ćete primjetiti da Vaš uređaj proizvodi neobične zvukove. Većina tih zvukova je savršeno normalna, ali ih morate biti svjesni. Zvukovi nastaju cirkulacijom tekućeg sredstva za hlađenje unutar rashladnog sustava. Ovo je postalo izraženije nakon

uvođenja plinova koji ne sadrže kloroflorougljike (CFC). Ovo ne predstavlja grešku i neće utjecati na rad Vašeg uređaja. Radi se o zvuku rada motora kompresora tokom pumpanja rashladnog sredstva kroz sistem.

Savjeti za čuvanje hrane u uređaju

- Termički obrađeno meso/ribu treba uvek odlagati na polici iznad sirovog mesa/ribe kako bi se izbjeglo širenje bakterija. Sirovo meso/ribu držite u posudi koja je dovoljno velika da zadrži sokove mesa i adekvatno je poklopite. Posudu stavite na najnižu polici.
- Ostavite razmak između hrane kako biste omogućili cirkuliranje zraka unutar uređaja. Uvjerite se da su svi dijelovi uređaja rashlađeni.
- Kako biste spriječili poprimanje mirisa i sušenje, hranu posebno pakirajte ili poklapajte. Voće i povrće nije potrebno vakumirati.
- Hranu koja je prethodno termički obrađena uvijek ostavite da se ohladi prije nego što je stavite u uređaj. Na ovaj način potpomažete održavanju unutrašnje temperature uređaja.
- Kako biste spriječili rasipanje hladnog zraka iz uređaja, pokušajte ograničiti broj otvaranja vrata uređaja. Preporučujemo Vam da vrata otvarate samo kada je potrebno staviti hranu u uređaj ili je izvaditi iz njega.

Zamjena žarulje

Zamjenu žarulje trebaju obaviti stručne osobe.

ČIŠĆENJE

Otapanje

IMAJTE U VIDU DA OVAJ UREĐAJ NEMA AUTOMATSKI SUSTAV ZA OTAPANJE

Prilikom uklanjanja leda sa isparivača, koristite plastičnu lopaticu za uklanjanje leda. Nemojte upotrebljavati oštre metalne predmete.

ČIŠĆENJE UNUTARNJIH I VANJSKIH DIJELOVA UREĐAJA

- Da biste unaprijedili efekat hlađenja i uštedu energije, redovno čistite prašinu iza frižidera i sa podloge.
- Redovno provjeravajte brtvu na vratima kako biste bili sigurni da na njoj nema prljavštine. Očistite brtvu na vratima mekanom krpom navlaženom vodom sa sapunicom ili razblaženim deterdžentom.
- Da izbjegnute stvaranje neprijatnih mirisa, redovno čistite unutrašnjost frižidera.
- Prije nego što započnete sa čišćenjem unutrašnjosti frižidera, isključite ga iz struje, uklonite svu hranu, pića, police, ladice, itd.
- Za čišćenje unutrašnjosti frižidera koristite mekanu krpu ili spužvu sa dvije žlice sode bikarbone i četvrtinu litre tople vode. Zatim isperite vodom i obrišite. Nakon čišćenja, otvorite vrata i, prije nego što uređaj priključite na napajanje, ostavite ga da se prirodno osuši.
- Za čišćenje teško dostupnih dijelova frižidera (poput uskih otvora, proreza ili uglova), preporučuje se redovno brisanje mekanom krpom, mekanom četkom, itd., po potrebi u kombinaciji sa nekim pomoćnim alatom (poput tankih štapića), čime se na pomenutim mjestima spriječava akumuliranje kontaminanata ili bakterija.
- Ne upotrebljavajte sapun, deterdžent, prah za čišćenje,

sredstva za čišćenje u spreju, itd., jer spomenuta sredstva mogu dovesti do stvaranja neprijatnih mirisa u unutrašnjosti frižidera ili kontaminiranja hrane.

- Policu za boce, police i ladice očistite pomoću mekane krpe navlažene vodom sa sapunicom ili razblaženim deterdžentom. Osušite mekanom krpom ili ostavite da se prirodno osuši.
- Vanjske površine hladnjaka prebrišite mekanom krpom navlaženom vodom sa sapunicom, deterdžentom, itd., a zatim osušite krpom.
- Ne upotrebljavajte tvrde četke, čelične žice za čišćenje, žičane četke, abrazivna sredstva (poput pasta za zube), organske rastvarače (poput alkohola, acetona, ulja banane itd.), ključalu vodu ili kisela ili alkalna sredstva, koja mogu oštetiti površine i unutrašnjost hladnjaka. Ključala voda i organski rastvarači, poput benzina, mogu deformirati ili oštetiti dijelove od plastike.
- Tokom čišćenja, uređaj nemojte direktno ispirati vodom ili drugim tekućinama, kako biste izbjegli nastanak kratkog spoja ili oštećenja na materijalima koji pružaju električnu izolaciju nakon močenja.

Savjeti za čišćenje

Na vanjskoj strani uređaja može doći do formiranja kondenzacije. Razlog tome može biti promjena vrijednosti sobne temperature. Mokre dijelove obrišite. Ukoliko se navedeni problem nastavi ponavljati, za pomoć se obratite kvalificiranom tehničaru.

ODRŽAVANJE

Zamjena unutarnje rasvjete

Zamjenu žarulje trebaju izvršiti kvalificirane osobe.

Oprez prilikom rukovanja / prijenosa Vašeg uređaja

Prilikom prijenosa, uređaj pridržavajte oko bočnih strana ili za osnovu. Uređaj ni pod kojim uvjetima ne treba podizati držeći ga za rubove gornje površine.

Servisiranje

Servisiranje uređaja treba obaviti ovlaštena tehnička osoba

koja će tom prilikom koristiti samo originalne rezervne dijelove. Ni pod kojim uvjetima ne pokušavajte sami popraviti uređaj. Popravci koje obavljaju osobe bez iskustva u ishodu mogu izazvati ozljede ili ozbiljne kvarove. Obratite se kvalificiranom tehničaru.

Isključivanje uređaja tokom dužeg vremenskog perioda

Kada uređaj ne koristite dulje vrijeme, isključite ga iz napajanja, ispraznite hranu, očistite i djelomično otvorite vrata kako biste spriječili stvaranje neugodnih mirisa.

OTKLANJANJE PROBLEMA

Korisnik može riješiti jednostavne probleme u tekstu. Ukoliko se problemi ne mogu riješiti, nazovite odjel za održavanje.

Uređaj ne radi	Provjerite da li je hladnjak uključen u struju; Nizak napon; Nestanak struje ili iskakanje osigurača
Mirisi	Hranu koja odaje jače mirise treba vakumirati; Provjerite da li se hrana pokvarila; Provjerite da li je potrebno očistiti unutrašnjost uređaja.
Dugotrajan rad kompresora	Normalno je da frižider duže radi tokom ljeta, kada je vanjska temperatura viša; Ne stavljajte u hladnjak previše hrane odjednom; Ne stavljajte hranu u uređaj dok se prethodno ne ohladi; Često otvaranje vrata hladnjaka.
Lampica ne svijetli	Provjerite da li je hladnjak priključen na struju, Provjerite da li je lampica oštećena.
Vrata hladnjaka se ne mogu zatvoriti na odgovarajući način.	Ambalaža sa hranom blokira vrata hladnjaka; Prevelika količina hrane; Hladnjak je nagnut.
Glasni zvuci	Provjerite da li hrana stoji ravno i da li je hladnjak uravnotežen; Provjerite da li su dijelovi hladnjaka postavljeni na odgovarajući način.

Savjeti

- Tokom rada, naročito u ljetnim mjesecima, kućiste hladnjaka može emitirati toplinu koju generira zračenje kondezatora, što je uobičajna pojava
- Kondenzacija: kondenzat će se formirati na vanjskim površinama i brtvama na vratima zamrzivača prilikom visokog stupnja vlage u prostoriji. U pitanju je normalni proces, a kondenzat se može obrisati suhom krpom.
- Zujanje: U toku rada, kompresor će zujati, posebno prilikom uključivanja ili isključivanja.

SAVJETI ZA UŠTEDU ENERGIJE

Energetska upozorenja

- Uređaji za rashlađivanje mogu postati nepouzdana tokom rada (moguće otapanje sadržaja ili razvijanje previsoke temperature u odjeljku za smrznutu hranu) ukoliko se tokom dužeg vremenskog perioda drže na temperaturama nižim od vrijednosti radnog temperaturnog opsega navedenog za dati uređaj za rashlađivanje.
- Gazirana pića ne treba držati u odjeljcima ili komorama za zamrzavanje ili u odjeljcima ili komorama sa niskim temperaturnim vrijednostima, dok određene proizvode, poput leda, ne treba konzumirati kada su pretjerano hladni;
- Neophodno je povesti računa da se prilikom čuvanja bilo kog tipa hrane koja se drži u zamrzivaču ili odjeljcima ili komorama za zamrzavanje hrane, a posebno komercijalne brzo smrznute hrane, ne prekorači rok trajanja preporučen od strane proizvođača hrane.
- Neophodno je poduzeti mjere predostrožnosti radi sprječavanja nepotrebnog rasta temperature unutar smrznute hrane prilikom otapanja uređaja za rashlađivanje, poput uvijanja smrznute hrane u nekoliko slojeva novinskog papira.
- Porast temperature unutar smrznute hrane tokom ručnog otapanja, održavanja ili čišćenja može skratiti njen rok trajanja.

6. Ključeve za vrata ili poklopce opremljene bravama i ključevima je važno držati van domašaja djece i dalje od uređaja za rashlađivanje, kako bi se spriječilo zaključavanje djece unutar uređaja.
7. Držanje otvorenih vrata tokom dužih vremenskih perioda može dovesti do značajnog porasta temperature unutar odjeljaka uređaja.
8. Redovno čistite površine koje mogu doći u dodir sa hranom, kao i pristupačne dijelove odvodnih sistema.
9. Očistite posude za vodu ukoliko ih niste koristili tokom vremenskog perioda od 48 h; ukoliko tokom vremenskog perioda od 5 dana niste uzimali vodu iz uređaja, isperite sistem za protok vode povezan na dovod vode.
10. Sirovo meso i ribu unutar hladnjaka držite u odgovarajućim posudama kako ove namirnice ne bi došle u dodir sa ili kako ne bi kapale po ostaloj hrani.
11. Ukoliko će uređaj za rashlađivanje biti prazan tokom dužeg vremenskog perioda, isključite ga, odledite, očistite i osušite, a zatim ostavite vrata uređaja otvorenim kako biste spriječili razvoj plijesni u unutrašnjosti uređaja.

ODLAGANJE

Stari uređaji i dalje imaju određenu preostalu vrijednost. Primjenom metode zbrinjavanja za zaštitu okoliša moći ćete ponovo koristiti vrijedne sirovine. Rashladno sredstvo koje se upotrebljava u okviru Vašeg uređaja i izolacijski materijali zahtjevaju primjenu posebnih procedura za odlaganje. Prije nego što ga odložite, uvjerite se da nijedna cijev na zadnjem dijelu uređaja nije oštećena. Ažurirane podatke o opcijama za odlaganje Vašeg starog uređaja i ambalaže novog uređaja možete dobiti u službenim prostorijama Vaših lokalnih vlasti.

Prilikom odlaganja starog uređaja, slomite sve stare brave ili kvake i uklonite vrata kao mjeru predostrožnosti.

Pravilno odlaganje ovog proizvoda



Pravilno odlaganje ovog proizvoda

Ova oznaka ukazuje da u EU ovaj proizvod ne treba odlagati zajedno sa ostalim otpadom iz kućanstava. Kako biste spriječili potencijalnu štetu po životnu sredinu ili zdravlje ljudi nastalu nekontroliranim odlaganjem otpada, odgovorno ga reciklirajte kako biste promovirali održivu ponovnu upotrebu materijalnih resursa. Molimo Vas da svoj rabljeni uređaj vratite putem sistema za vraćanje i prikupljanje otpada ili da kontaktirate prodavaonicu u kojoj ste proizvod kupili. Ovim putem se proizvod može reciklirati na siguran način po životnu sredinu.

Za više informacija obratite se lokalnoj upravi ili trgovini u kojoj ste proizvod kupili.

Tabela 1. Klimatske klase

Klasa	Simbol	Raspon sobne temperature °C
Prošireno umjerena	SN	+10 to +32
Umjerena	N	+ 16 to +32
Suptropska	ST	+16 to + 38
Tropska	T	+ 16 to + 43

Prošireno umjerena: „ovaj uređaj za rashlađivanje je namjenjen za upotrebu pri ambijentalnim temperaturama koje se kreću u opsegu od 10°C do 32°C“;

Umjerena: „ovaj uređaj za rashlađivanje je namjenjen za upotrebu pri ambijentalnim temperaturama koje se kreću u opsegu od 16°C do 32°C“;

Suptropska: „ovaj uređaj za rashlađivanje je namjenjen za upotrebu pri ambijentalnim temperaturama koje se kreću u opsegu od 16°C do 38°C“;

Tropska: „ovaj uređaj za rashlađivanje je namjenjen za upotrebu pri ambijentalnim temperaturama koje se kreću u opsegu od 16°C do 43°C“;

BIZTONSÁGI FIGYELMEZTETÉSEK



Figyelem: tűzveszély / gyúlékony anyagok

- A készüléket háztartási célra, és az alábbiakhoz hasonló helyeken történő használatra tervezték: személyzeti konyhákban, irodákban és egyéb munkahelyeken; hotelekben, motelekben és más szálláshelyek vendégei részére; falusi vendéglátó szektorban; önellátó szálláshelyeken.
- A készüléket gyermekek és fizikai, érzékszervi vagy értelmi képességeikben korlátozott, illetve a készüléket és annak használatát nem ismerő személyek csak megfelelő felügyelet mellett használhatják, vagy abban az esetben, ha a berendezés biztonságos módon történő használatára és az ezzel járó veszélyekre vonatkozó szabályokat megismerték.
- Ne hagyja, hogy a gyermekek a készülékkel játszanak.
- A sérült tápkábelt csak a gyártó, annak szervizközpontja, vagy képzett szakember cserélheti ki a további veszélyek elkerülése érdekében.
- Ne tároljon a készülékben robbanásveszélyes anyagokat, például gyúlékony anyagot tartalmazó aeroszolos flakonokat.
- A készüléket használat után és karbantartás előtt áramtalanítani kell.
- FIGYELEM: Hagyja szabadon a készülék szellőzőnyílásait.
- FIGYELEM: A készülék leolvasztását kizárólag a felhasználói kézikönyvben foglaltak alapján végezze.
- FIGYELEM: Vigyázzon a hűtőkörre.
- FIGYELEM: Csak a gyártó által meghatározott elektromos készülékeket használjon a hűtőszekrényben.
- FIGYELEM: Kérjük, hogy csak arra alkalmas helyen adja le a már nem használt készüléket, mivel veszélyes, gyúlékony gázokat tartalmaz.
- FIGYELEM: A készülék elhelyezése során ügyeljen rá, hogy a tápkábel ne sérüljön meg.
- FIGYELEM: Ne használjon hosszabbítót, vagy elosztót a készülék mögött.
- VESZÉLY: Gyermekek beszorulásának veszélye. Amennyiben a készüléket a továbbiakban már nem kívánja használni:
- - Szerelje le az ajtókat.
- Hagyja a polcokat a helyén.
- Beüzemelés előtt áramtalanítsa a készüléket.
- A felhasznált hűtőközeg és a cyclopetane fokozottan tűzveszélyes. Amennyiben a készüléket már nem kívánja használni, úgy egy erre szakosodott átvevőpontra adja le.
- Az EN-szabványhoz: A készüléket 8 év alatti gyermekek, valamint fizikai, érzékszervi vagy értelmi képességeikben korlátozott, illetve a készüléket és annak használatát nem ismerő személyek csak felügyelet mellett használhatják, vagy abban az esetben, ha a berendezés biztonságos módon történő használatára és az ezzel járó veszélyekre vonatkozó szabályokat megismerték. Ne hagyja, hogy a gyermekek a készülékkel játszanak. A berendezés tisztítását és karbantartását gyermekek kizárólag felügyelet mellett végezzék. A 3 és 8 év közötti gyermekeknek engedélyezheti a hűtőberendezésből történő be- és kipakolást.
- Az élelmiszerek szennyeződésének elkerülése érdekében kérjük, tartsa be az alábbi utasításokat:
 - Az ajtó hosszú időre történő kinyitása a készülék rekeszeinek hőmérsékletének jelentős emelkedését okozhatja.
 - Rendszeresen tisztítsa meg az élelmiszerekkel érintkező felületeket és a hozzáférhető vízelvezető rendszereket.
 - Tisztítsa meg a víztartályokat, ha 48 órán keresztül nem használták őket; 5 nap után öblítse át a vízellátáshoz csatlakoztatott vízvezeték hálózatot.
 - A nyers húst és halat megfelelő tárolóedényekben tárolja a hűtőszekrényben úgy, hogy ne érintkezzen más élelmiszerekkel.
 - A két csillaggal **[**]** jelölt fagyasztórekeszek alkalmasak előre fagyasztott élelmiszerek tárolására, fagyalt tárolására, valamint jégkockák készítésére.
 - Az egy **[*]**, kettő **[**]**, három **[***]** -és a **[****]** négy csillaggal jelölt fagyasztórekeszek nem alkalmasak friss élelmiszerek fagyasztására.
 - Ha a készüléket hosszú ideig nem használja, akkor áramtalanítsa azt, végezze el a leolvasztási folyamatot, tisztítsa meg és hagyja nyitva az ajtaját.
 - A 4 csillagos rekesz nélküli készülékek esetében: ez a hűtőkészülék nem alkalmas élelmiszerek fagyasztására.

Megjegyzés 1,2,3: Győződjön meg arról, hogy az Ön készüléke alkalmas-e erre.

- A szabadonálló készülékeket tilos beépítettként használni!
- A LED lámpák cseréjét vagy karbantartását kizárólag a gyártó, annak szakszerveze vagy képzett szakember végezheti. A lámpa „G” energiahatékonysági osztályú.

TELEPÍTÉS

Elhelyezés

A készüléket szilárd és sík padlóra, valamint jól szellőző helyre tegye. Ne tegye a készüléket hőforrás közelébe pl. tűzhely, kazán, radiátor.

A készüléket ne érje közvetlen napfény.

Szélsőségesen hideg környezetben a készülék nem működik megfelelően. Ne használja garázsban vagy kültéren.

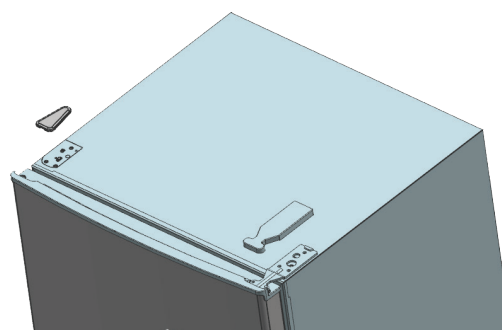
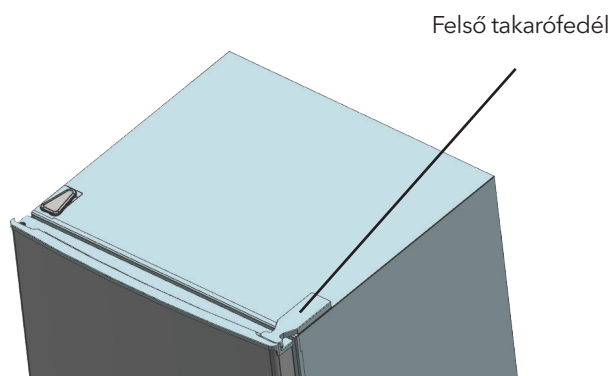
Ne takarja le a készüléket.

Ügyeljen rá, hogy a készülék oldalainál és hátuljánál 10-10 cm, a tetejénél pedig 30 cm szabad hely maradjon, ezzel biztosítva a készülék hatékony működését.

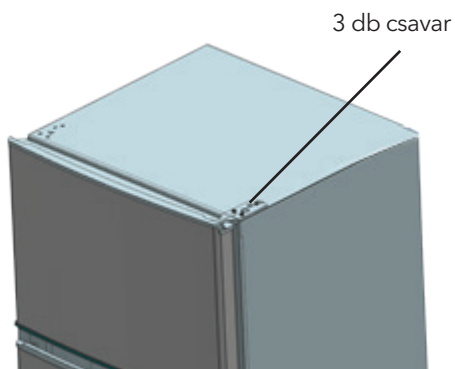
Az ajtónyitás irányának megváltoztatása (opcionális)

Szükséges eszközök: Csillagfejű csavarhúzó / Lapos csavarhúzó / Imbuszkulcs

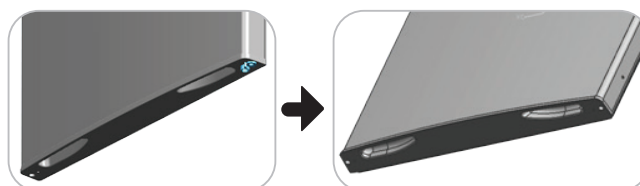
1. Vegye le a zsanértakaró fedelelet.



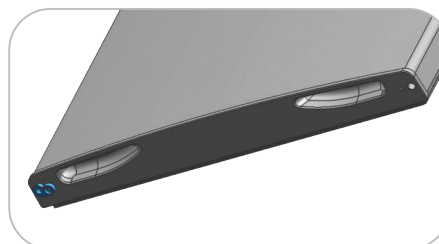
2. A csillagfejű csavarhúzóval csavarja ki a csavarokat.



B. Távolítsa el az ajtóhatárolókat.



C. Vegyen ki a másik elemet a csomagolásból, majd csavarral rögzítse.

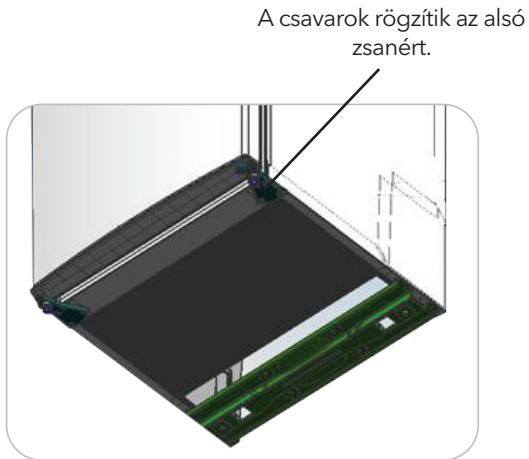


3. Szerelje át a zsanért, valamint a takaróelemeket az ajtó másik oldalára

Távolítsa el a csavart, az alátétet, majd a tengelyeket, és rögzítse a másik oldalra.

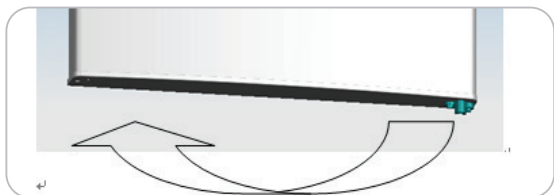


4. Csavarja ki az alsó csavarokat a zsanérból.

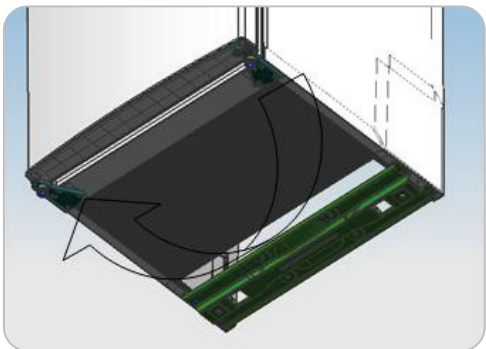


Megjegyzés: ügyeljen rá, hogy szerelés közben ne döntse meg a készüléket 45°-nál nagyobb szögben.

5. Szerelje le az alsó zsanért és a záródást segítő elemet.



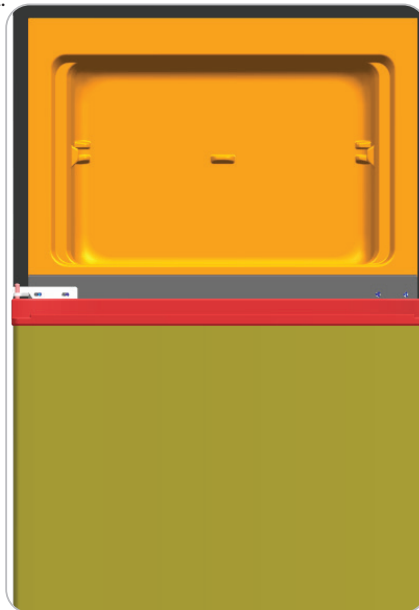
6. Helyezze vissza az alsó zsanért a másik oldalra, majd rögzítse csavarokkal.



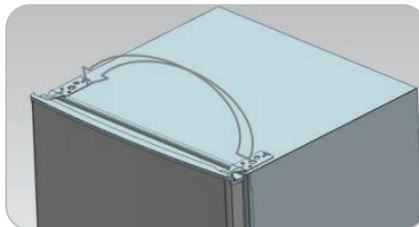
7. Cserélje ki a középső zsanért.



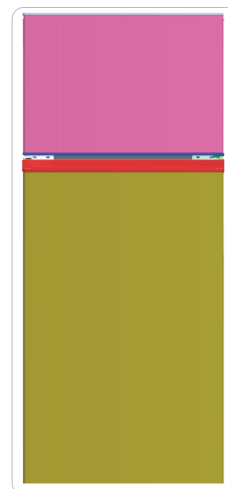
8. Állítsa be pontosan az ajtót, majd rögzítse a középső zsanért.



9. Cserélje ki a felső zsanért.



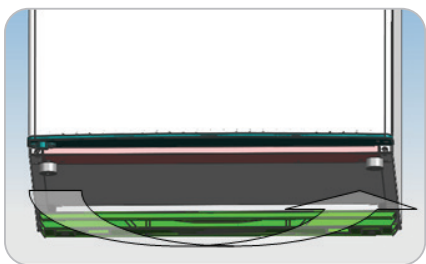
10. Állítsa be pontosan az ajtót, majd rögzítse a felső zsanért és a takaróelemet.



11. Állítsa vízszintbe a készüléket a szintezőlábak segítségével:

- Győződjön meg arról, hogy a készülék ki van húzva az aljzatból és üres.
- Állítsa a legmagasabb helyzetbe a készülék alján található szintező lábakat.
- Javasoljuk, hogy kérjen segítséget a megfelelő beállítás érdekében.

12. A szintező segítségével állítsa be a hátsó lábakat.

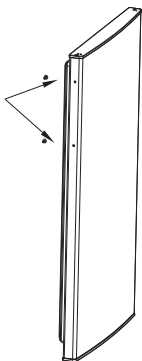


A fenti képek csak tájékoztató jellegűek, az Ön készüléke ettől eltérhet.

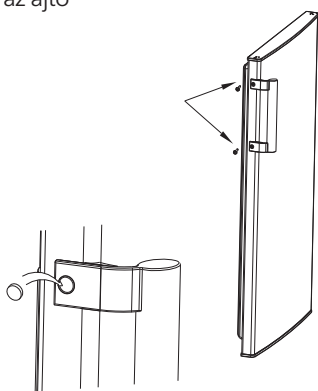
Az ajtó fogantyújának áthelyezése (opcionális)

Megjegyzés: A felhasználói kézikönyv ábrái csak tájékoztató jellegűek. Kérjük vegye figyelembe, hogy az Ön készüléke ettől eltérhet. Minden szerelési művelet előtt áramtalanítsa a készüléket.

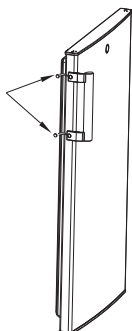
Lépés 1: szedje le a két takaróelemet az ajtóról (nyitott ajtónál).



Lépés 2: Csavarokkal rögzítse az ajtó fogantyúját.



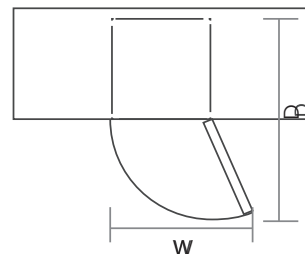
Lépés 3: Helyezze fel a csavarok takaróelemeit.



*A fenti képek csak tájékoztató jellegűek, az Ön készüléke ettől eltérhet.

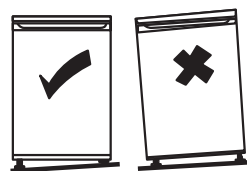
Helyigény

Hagyjon elegendő helyet a hűtőszekrény ajtajainak könnyű kinyitásához.
SZ×Mé≥902×1052mm



A készülék szintezése

Állítsa be a vízszintet készülék alján található szintező lábak segítségével. Megfelelő szintezés hiányában a készülék ajtaja és a mágneses tömítés nem fognak illeszkedni. Győződjön meg arról, hogy a készülék stabil talajon álljon. Felülről nézve óramutató járásával megegyezően emeli, ellenkező irányba tekerve süllyeszti a készüléket.



Használat előtti tisztítás

Tisztítsa át gyengéden a készülék belsejét szóda-bikarbónás langyos vízzel. Ezután öblítse át meleg vízzel átitatott és kicsavart szivaccsal vagy ruhával. Mossa le a polcokat meleg szappanos vízzel, majd törölje szárazra. Tisztítsa meg a készülék külsejét nedves ruhával. További információért olvassa el a Tisztítás részt.

Használat előtt

Ügyeljen rá, hogy a tápkábel ne sérüljön meg. Sérült tápkábellel ne használja a készüléket.

A tűzveszély elkerülése és a készülék épségének megőrzése érdekében ne tegyen gyúlékony, robbanásveszélyes, illékony és erősen maró tárgyakat a hűtőszekrénybe.

Ne tegyen gyúlékony tárgyakat a hűtőszekrény közelébe. Ez a készülék háztartási célra készült, kizárólag élelmiszerek tárolására alkalmas. A helyi szabályoknak megfelelően ne használja egyéb célokra, például vér, gyógyszerek vagy biológiai anyagok tárolására.

Ne tegyen palackozott vagy lezárt folyadéktartályt, például palackozott söröket és italokat a fagyasztozóba. Beüzemelését követően várjon 24 órát, hogy megbizonyosodjon a termék megfelelő működéséről. Csak ezután használja a készüléket. A készüléket ne terhelje túl.



• Hálózati csatlakoztatás előtt!

Ellenőrizze, hogy rendelkezik-e olyan aljzattal, amely kompatibilis a készülékhez kapott csatlakozóval.

• Bekapcsolás előtt!

A készülék elhelyezését követően várjon 2 órát a bekapcsolással.

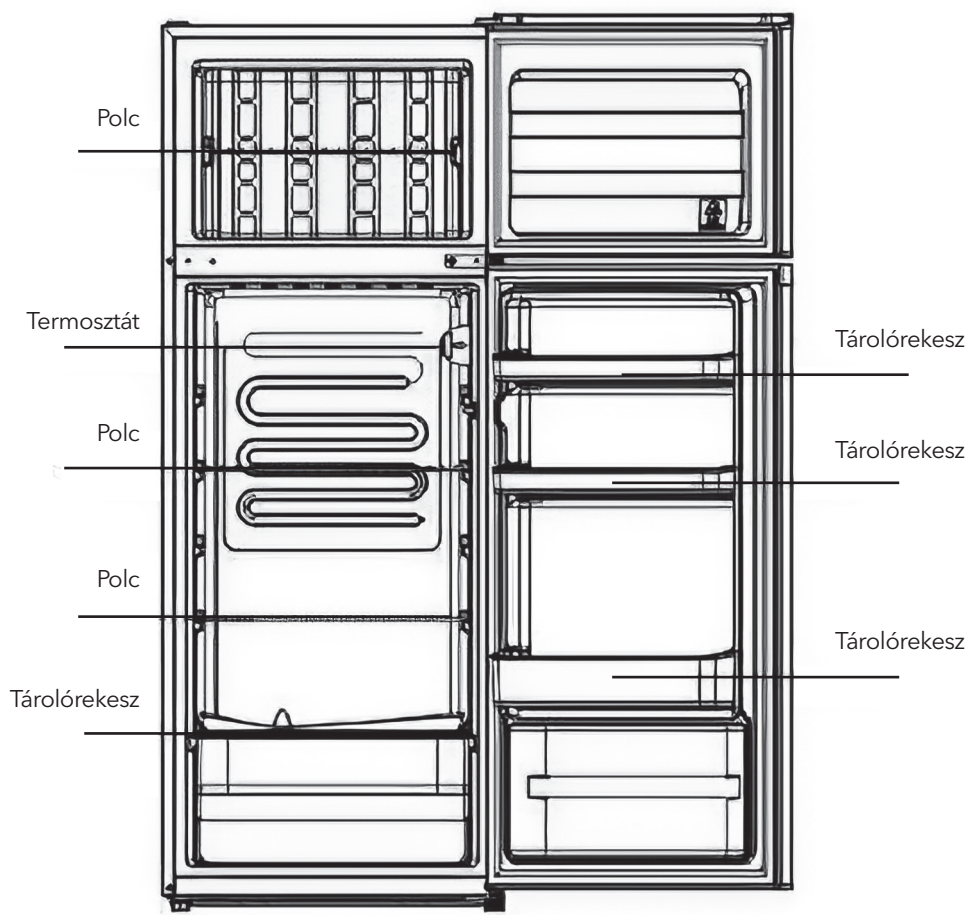
Belső tartozékok

A készülékhez különféle üveg vagy műanyag polcok tartoznak - a különböző modellek tartozékai eltérhetnek egymástól. A zöldség- és gyümölcstároló feletti, legalacsonyabb sínben mindig legyen egy teljes méretű polc. Ehhez húzza előre a tárolópolcot, amíg felfelé vagy lefelé elfordítható és eltávolítható nem lesz. Ugyanígy járjon el a többi polc elhelyezésénél is.



A maximális helykihasználás érdekében a tároló polcok eltávolíthatók és áthelyezhetőek.

ÁTTEKINTÉS



A képen a polcok és a tárolórekeszek elhelyezkedése energiahatékonysági szempontból a legoptimálisabb.

*A használati útmutatóban szereplő összes kép tájékoztató jellegű, az Ön készüléke ettől eltérhet.

MŰVELETEK

A készülék bekapcsolása

Az "Off" beállítása esetén: Kikapcsolás

A "Min" beállítása esetén: Kevésbé hideg hőmérséklet

A "Med" vagy a "MID" beállítása esetén: Normál működés (megfelelő a legtöbb esetben)

A "Max" beállítása esetén: Leghidegebb hőmérséklet

- Magas környezeti hőmérséklet esetén pl. forró nyári napokon, szükség lehet a termosztát lehidegebb beállítására ("Max"). Ez a kompresszor folyamatos működését okozhatja a megfelelő hőmérséklet fenntartása érdekében.
- Az első üzembe helyezést követően állítsa a szabályzót "Med" állásba. A beüzemelést követően várjon 24 órát, hogy a készülék megfelelő hőmérsékletre hűljön. Csak ezután tegyen bele élelmiszert. A hőmérsékletet a termosztát gombjával tudja szabályozni.

Zaj a készülék belsejében!

Feltűnhet, hogy készüléke szokatlan hangokat ad ki. Ezek többsége teljesen normális. Ezeket a zajokat a hűtőfolyadék keringése a hűtőrendszerben, illetve a kompresszor működése okozza. Ez nem a készülék hibája, nem befolyásolja a berendezés teljesítményét.

TISZTÍTÁS

Leolvasztás

A KÉSZÜLÉK NEM RENDELKEZIK AUTOMATIKUS LEOLVASZTÁSI FUNKCIÓVAL.

Egy műanyag kaparót használjon a jegesedés eltávolításához. Ne használjon fémes anyagból készült éles tárgyakat.

A készülék tisztítása

- A hűtő mögött és a földön felgyülemelő port rendszeresen takarítsa fel a megfelelő hűtési hatás és az energiatakarékosság javítása érdekében.
- Rendszeresen ellenőrizze az ajtó tömítését, hogy nincs-e benne ételmaradvány. Tisztítsa meg az ajtó tömítést egy szappanos vízzel vagy hígított mosószerrel megnedvesített puha ruhával.
- A kellemetlen szagok elkerülése érdekében a hűtőszekrény belsejét rendszeresen tisztítani kell.
- A belső tér tisztítása előtt áramtalanítsa a készüléket és távolítsa el a hűtőszekrényből minden élelmiszert, polcot, tárolórekeszt, stb.
- Tisztítsa át gyengéden a készülék belsejét 2 evőkanál szóda-bikarbónával és 1 liter vízzel, ezután öblítse le meleg vízzel és törölje szárazra. Tisztítás után nyissa ki az ajtót, és hagyja magától megszáradni, mielőtt bekapcsolná a készüléket.
- A hűtőszekrény nehezen hozzáférhető részeit (pl. keskeny peremek, hézagok, sarkok, stb.) rendszeresen tisztítsa, hogy ezeken a területeken ne halmozódjon fel szennyeződés vagy baktérium.

Tippek az élelmiszer tárolásához

- A főtt húsokat/halakat a nyers húsok/halak feletti polcon tárolja a bakteriális fertőzések elkerülése érdekében. A nyers húsokat/halakat megfelelő méretű, lezárt edényben tárolja a legalsó polcon.
- Hagyjon helyet az élelmiszerek között a megfelelő hűtés érdekében.
- Az ételeket becsomagolva tegye a hűtőbe, hogy megőrizze frissességüket és ne száradjanak ki. A gyümölcsöket, zöldségeket nem szükséges becsomagolni.
- Ne tegyen meleg ételt a hűtőbe a készülék megfelelő működésének érdekében.
- A belső hőmérséklet megőrzésének érdekében javasoljuk, hogy csak akkor nyissa ki a hűtőt, ha szükséges.

Az izzó cseréje

A készülékben található izzót csak képzett szakember cserélheti.

- A hűtőszekrényben tárolt ételek minőségének megőrzése érdekében a készülék tisztításához ne használjon szappant, mosószert, súrolóport, spray tisztítószeret, stb.
- Tisztítsa meg a polcokat, tárolórekeszeket, stb. egy szappanos vízzel vagy hígított mosószerrel megnedvesített puha ruhával, majd törölje szárazra.
- Nedves ruhával tisztítsa meg a hűtőszekrény külsejét is, majd törölje szárazra.
- A hűtőszekrény tisztításához ne használjon kemény keféket, drótkeféket, csiszolószert (például fogkrémet), szerves oldószert (például alkoholt, acetont, stb.), valamint forrásban lévő vizet, savat vagy lúgot, amelyek károsíthatják a hűtőszekrény felületét és belső alkatrészeit. A forrásban lévő víz és a szerves oldószerek, mint a benzol, deformálhatják vagy károsíthatják a műanyag alkatrészeket.
- A készülék elektromos alkatrészeinek védelme érdekében ne öntsön a készülék belsejébe vagy a készülékre vizet, a tisztítást kizárólag megnedvesített puha ruhával végezze.

Tisztítási tippek

A készülék külsején a szobahőmérséklet változása miatt páralecsapódás jelenhet meg. Töröljön le minden nedvességet egy száraz ronggyal. Ha a probléma rendszeresen tapasztalható, kérje szakember segítségét.

KARBANTARTÁS

Az izzó cseréje

A készülékben található izzót csak képzett szakember cserélheti.

A készülék mozgatása

Mozgatáskor vagy áthelyezéskor tartsa a készüléket az oldalain vagy az alján. Semmilyen körülmények között nem szabad megemlíni a felső felület széleinél fogva.

Szervizelés

A készülék szervizelését, javítását csak a gyártó márkaszervize

végezheti kizárólag eredeti alkatrészekkel. Semmilyen körülmények között ne végezzen javítást a készüléken. A tapasztalatlan személyek általi javítás sérülést vagy súlyos meghibásodást okozhat, ezért minden esetben forduljon a szakszervizhez.

Használaton kívül

Ha a készüléket hosszabb ideig nem használja, akkor áramtalanítsa, ürítse ki és tisztítsa meg. Az ajtót hagyja nyitva, hogy elkerülje a kellemetlen szagok kialakulását.

HIBAEELHÁRÍTÁS

Mielőtt szakszervizhez fordul, kérjük olvassa el az alábbiakat:

Működési hiba	Ellenőrizze a készülék elektromos hálózati csatlakozását; Alacsony feszültség; Meghibásodott áramkör.
Kellemetlen szag	Az erős illatú ételeket megfelelően csomagolni kell; Romlott ételek a hűtőben; A belső tér rendszeres tisztítása.
A kompresszor hosszas működése	Magas környezeti hőmérséklet esetén a hűtőszekrény kompresszora hosszabb ideig működik, ami normális; Ne tegyen túl sok ételt egyszerre a fagyasztóba; Ne tegyen forró vagy meleg ételeket a hűtőbe; A hűtőszekrény ajtajának gyakori kinyitása.
Nincs belső világítás	A készülék nem csatlakozik áramforráshoz vagy kiégett az izzó.
Az ajtó nem záródik megfelelően	Az ajtó csukódását élelmiszer akadályozza; Túl sok étel van a hűtőben; Állítsa be a hűtőszekrényt.
Hangos zajok	Állítsa be a hűtőszekrényt, rendezze át a hűtő tartalmát.

Tippek

- A készülékház, különösen nyáron, működés közben hőt bocsáthat ki, amit a kondenzátor hőszívása okoz, ez normális jelenség
- Páralesapódás: A készülék külső felületén és ajtótomítésein páralecsapódás észlelhető, ha a környezeti

páratartalom magas. Ez normális jelenség, és száraz ruhával letörölhető.

- A zúgó hang, amelyet a kompresszor indulása és leállása okoz teljesen normális.

ENERGIATAKARÉKOSSÁGI TIPPEK

Figyelmeztetések

1. Ha a készüléket nem az előírt hőmérsékleti tartományban használja, akkor annak teljesítménye nem lesz megfelelő és a hűtőben található élelmiszerek megromolhatnak.
2. Szénsavas italokat ne tároljon a fagyasztó részben és ügyeljen rá, hogy ne fogyassza ezeket az italokat túl hidegen;
3. Kérjük, hogy rendszeresen ellenőrizze a hűtő- és fagyasztószekrény tartalmát és a lejárt szavatosságú ételeket dobja ki;

4. A készülék leolvasztása során a fagyasztóban található élelmiszereket csomagolja be több rétegnyi újságpapírba, megakadályozva ezzel, hogy azok felolvadjanak.
5. Kérjük vegye figyelembe hogy a készülék tisztítása és karbantartása során a fagyasztott élelmiszerek hőmérsékletének emelkedése lerövidítheti a tárolási időt.
6. A zárral felszerelt ajtók és rekeszek esetében ügyeljen arra, hogy a zárhoz tartozó kulcsokat gyermekektől elzárva tartsák.
7. Az ajtó hosszabb ideig nyitva tartása jelentősen

- megnövelheti a hőmérsékletet a készülék belsejében.
8. A készülék belső felületeit rendszeresen tisztítsa meg.
 9. Tisztítsa meg a víztartályokat, ha már 48 órája nem használta a készüléket; a legalább 5 napig elzárt vízvezeték esetén végezze el a rendszer átöblítését.
 10. A nyers húst és halat megfelelő edényben tárolja a hűtőszekrényben a fertőzések és szennyeződések elkerülése érdekében.

11. Ha a készüléket hosszabb ideig nem használja, akkor áramtalanítsa, ürítse ki és tisztítsa meg. Az ajtót hagyja nyitva, hogy elkerülje a kellemetlen szagok kialakulását.

HULLADÉKKEZELÉS

A már nem használt, előregedett készülékeknek is van még értékük, ezért különösen fontos ezek újrahasznosítása. A hűtőközeget és a speciális szigetelőanyagot csak az arra kijelölt helyen lehet leadni. Óvatosan kezelje a régi készülékeket is, nehogy annak hűtőköre megsérüljön.

A már nem használt készülékekről szedje le a zárat és az ajtókat lehetőleg roncsolva azok zsanérjait. Ilyen esetben mindig viseljen megfelelő védőeszközt!

A megfelelő hulladékkezelés



A nem használt készüléket a helyi törvényeknek és előírásoknak megfelelően, a háztartási hulladéktól elkülönítve kell a hulladékba helyezni. Ha a termék eléri élettartama végét, vigye a helyi hatóságok által kijelölt gyűjtőpontra. A készülék elkülönített módon történő gyűjtése és újrahasznosítása segít megóvni a természeti erőforrásokat, és biztosítja, hogy az újrahasznosítás az emberi egészség és a környezet védelmével összhangban történjen. A termék újrahasznosítása érdekében további információért forduljon az illetékesekhez, a helyi hulladékgyűjtő szolgáltatóhoz vagy ahhoz az üzlethez, ahol a terméket megvásárolta.

További információért forduljon a helyi hatósághoz vagy a kiskereskedőhöz, ahol a terméket vásárolta.

Táblázat 1: Klímaosztályok

Övezet	Jelölés	Hőmérsékleti tartomány °C
Mérsékelt éghajlat	SN	+10 to +32
Mérsékelt	N	+ 16 to +32
Szubtrópusi	ST	+16 to + 38
Trópusi	T	+ 16 to + 43

Mérsékelt éghajlat: a készülék 10 °C - 32 °C közötti külső hőmérsékleti tartományban tud optimálisan működni; Mérsékelt: a készülék 16 °C - 32 °C közötti külső hőmérsékleti tartományban tud optimálisan működni; Szubtrópusi: a készülék 16 °C - 38 °C közötti külső hőmérsékleti tartományban tud optimálisan működni; Trópusi: a készülék 16 °C - 43 °C közötti külső hőmérsékleti tartományban tud optimálisan működni.

AVVERTENZE DI SICUREZZA



Avvertenza: Rischio di incendio / materiali infiammabili

- Questo elettrodomestico è destinato all'uso domestico e in applicazioni simili come aree cucina del personale nei negozi, uffici e altri ambienti lavorativi; case di campagna e da parte di clienti in hotel, motel e altri ambienti residenziali; ambienti di bed and breakfast; catering e applicazioni simili non al dettaglio.
 - Questo elettrodomestico non è destinato all'uso da parte di persone (incluse i bambini) con capacità fisiche, sensoriali o mentali ridotte o mancanza di esperienza e conoscenza, a meno che non abbiano ricevuto la supervisione o le istruzioni sull'uso dell'elettrodomestico da parte di una persona responsabile della loro sicurezza.
 - I bambini devono essere sorvegliati per garantire che non giochino con l'elettrodomestico.
 - SE il cavo di alimentazione è danneggiato, deve essere sostituito dal produttore, dal suo agente di assistenza o da persone altrettanto qualificate al fine di evitare un pericolo.
 - Non conservare sostanze esplosive come bombolette aerosol con propellenti infiammabili in questo elettrodomestico.
 - L'elettrodomestico deve essere scollegato dopo l'uso e prima di effettuare la manutenzione da parte dell'utente sull'elettrodomestico.
 - AVVERTENZA: Mantenere libere da ostacoli le aperture di ventilazione, nell'incasso dell'elettrodomestico o nella struttura incorporata.
 - AVVERTENZA: Non utilizzare dispositivi meccanici o altri mezzi per accelerare il processo di scongelamento, diversi da quelli raccomandati dal produttore.
 - AVVERTENZA: Non danneggiare il circuito del refrigerante.
 - AVVERTENZA: Non utilizzare apparecchiature elettriche all'interno dei compartimenti di conservazione degli alimenti dell'elettrodomestico, a meno che non siano del tipo raccomandato dal produttore.
 - AVVERTENZA: Si prega di smaltire il frigorifero secondo le norme locali poiché utilizza un gas espanso e refrigerante infiammabile.
 - AVVERTENZA: Quando posizionate l'elettrodomestico, assicuratevi che il cavo di alimentazione non sia intrappolato o danneggiato.
 - AVVERTENZA: Non posizionare prese multiple o alimentatori portatili multipli sulla parte posteriore dell'elettrodomestico.
 - Non utilizzare prolunghe o adattatori non messi a terra (a due poli).
 - PERICOLO: Rischio di intrappolamento dei bambini. Prima di gettare via il vecchio frigorifero o congelatore:
 - Rimuovere le porte.
 - Lasciare gli scaffali al loro posto in modo che i bambini non possano facilmente arrampicarsi all'interno.
 - Il frigorifero deve essere scollegato dalla fonte di alimentazione elettrica prima di tentare l'installazione di un accessorio.
 - Il refrigerante e il materiale schiumante a base di ciclopentano utilizzati per l'elettrodomestico sono infiammabili. Pertanto, quando l'elettrodomestico viene smaltito, deve essere tenuto lontano da qualsiasi fonte di fuoco e recuperato da un'azienda specializzata con le relative qualifiche anziché essere smaltito per combustione, al fine di evitare danni all'ambiente o altri rischi.
 - PER gli standard EN: Questo elettrodomestico può essere utilizzato da bambini di età superiore a 8 anni e da persone con capacità fisiche, sensoriali o mentali ridotte o mancanza di esperienza e conoscenza, se hanno ricevuto supervisione o istruzioni sull'uso sicuro dell'elettrodomestico e comprendono i rischi coinvolti. I bambini non devono giocare con l'elettrodomestico. La pulizia e la manutenzione da parte dell'utente non devono essere effettuate dai bambini senza supervisione. I bambini di età compresa tra 3 e 8 anni possono caricare e scaricare gli elettrodomestici refrigeranti.
 - PER evitare la contaminazione degli alimenti, si prega di rispettare le seguenti istruzioni:
 - Tenere la porta aperta per lunghi periodi può causare un aumento significativo della temperatura nei compartimenti dell'elettrodomestico.
 - Pulire regolarmente le superfici che possono venire a contatto con gli alimenti e i sistemi di drenaggio accessibili.
 - Pulire i serbatoi d'acqua se non sono stati utilizzati per 48 ore; sciacquare il sistema idrico collegato all'approvvigionamento idrico se l'acqua non è stata utilizzata per 5 giorni. (nota 1)
 - Conservare carne e pesce crudi in contenitori adeguati nel frigorifero, in modo che non vengano a contatto o gocciolino su altri alimenti.
 - Due stelle I compartimenti per alimenti surgelati a due stelle sono adatti per conservare alimenti pre-congelati, conservare o preparare gelati e fare cubetti di ghiaccio. (nota 2)
 - I compartimenti a una stella, due stelle , tre stelle e quattro stelle non sono adatti per la congelazione di alimenti freschi. (nota 3)
 - Se l'elettrodomestico refrigerante viene lasciato vuoto per lunghi periodi, spegnere, sbrinare, pulire, asciugare e lasciare la porta aperta per evitare lo sviluppo di muffe all'interno dell'elettrodomestico.
 - Per gli elettrodomestici senza un compartimento a quattro stelle: questo elettrodomestico refrigerante non è adatto per la congelazione di alimenti. (nota 4)
- Note 1, 2, 3, 4: Si prega di confermare se è applicabile in base al tipo di compartimento del prodotto.
- Per un elettrodomestico a libera installazione: questo elettrodomestico refrigerante non è destinato ad essere utilizzato come un elettrodomestico da incasso.
 - La sostituzione o manutenzione delle lampade a LED deve essere effettuata dal produttore, dal suo centro di assistenza o da una persona qualificata simile. La classe di efficienza energetica della lampada è di grado G.

INSTALLAZIONE

Posizione

Quando si seleziona una posizione per l'unità, assicurarsi che il pavimento sia piano e stabile e che la stanza sia ben ventilata. Evitare di posizionare l'unità vicino a una fonte di calore, ad esempio una cucina, una caldaia o un termosifone. Evitare anche la luce solare diretta in quanto potrebbe aumentare il consumo elettrico. Temperature ambiente estremamente fredde potrebbero causare un malfunzionamento dell'unità. Questa unità non è

progettata per l'uso in garage o installazione all'aperto. Non coprire l'unità con alcun tipo di copertura.

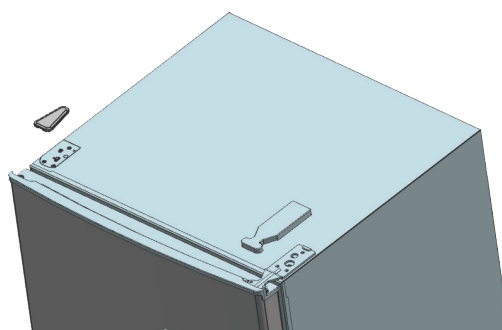
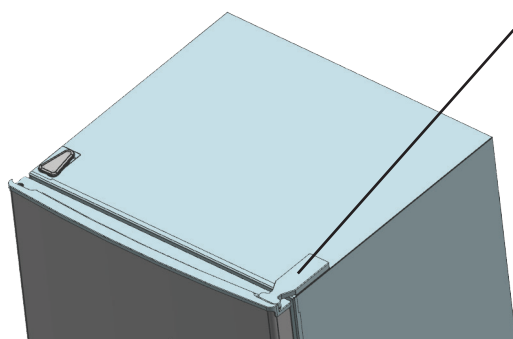
Durante l'installazione dell'unità, assicurarsi di lasciare uno spazio libero di 10 cm su entrambi i lati, 10 cm nella parte posteriore e 30 cm nella parte superiore dell'unità. Questo consentirà all'aria fredda di circolare intorno al refrigeratore di vini e migliorerà l'efficienza del processo di raffreddamento.

Inversione dell'apertura della porta (opzionale)

Strumenti necessari: Cacciavite a croce / Cacciavite a lama piatta / Chiave a brugola.

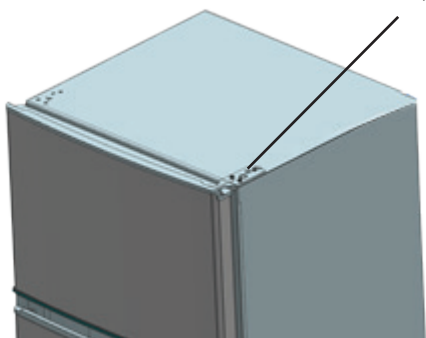
1. Rimuovere il coprilistello superiore.

Il coprilistello superiore.

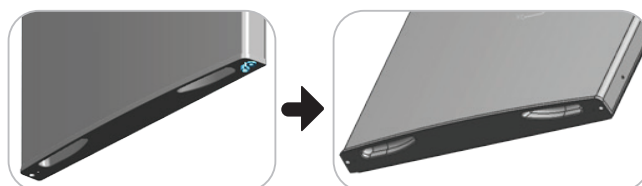


2. Rimuovere le viti che fissano il cerniere superiore con un cacciavite a croce.

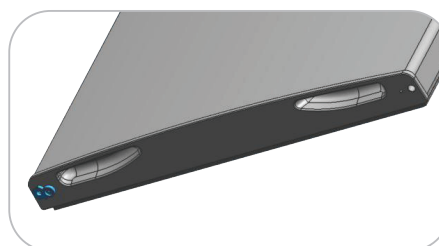
Avvitare (tre) viti



B. Rimuovere il blocco di limitazione della porta.

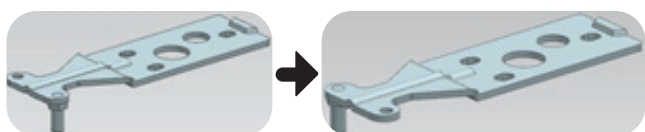


C. Si prega di rimuovere l'altro blocco di limitazione della porta, con la vite di fissaggio alla porta.



3. Sostituire la cerniera superiore, il blocco di limitazione superiore della porta e il perno di supporto della porta dall'altro lato.

A. Rimuovere la dadi con guaina. Rimuovere la rondella e quindi spostare gli assi dall'altro lato e fissarli.

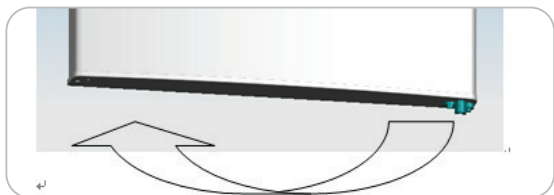


4. Smontare le viti che fissano la cerniera inferiore con un cacciavite a taglio incrociato.

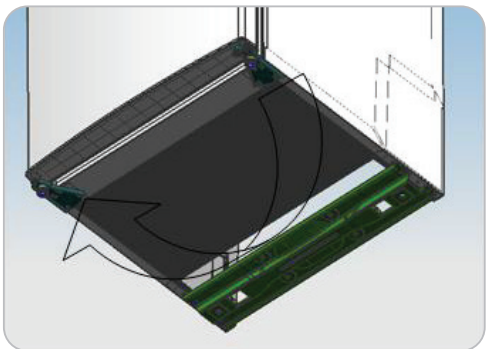


Nota: l'angolo di inclinazione del frigorifero-congelatore deve essere inferiore a 45°.

5. Sostituire il cuscinetto inferiore della porta e il blocco di limite.



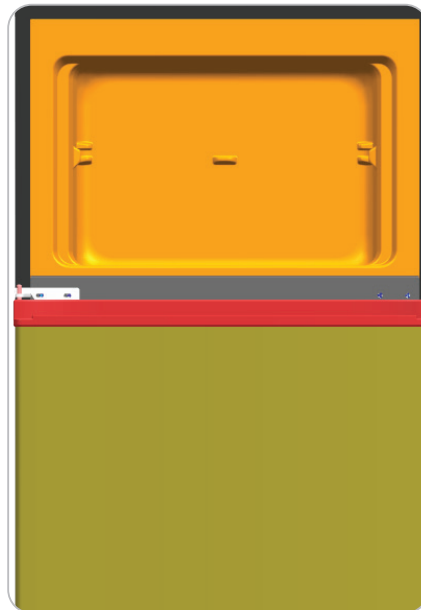
6. Sostituire la cerniera inferiore dall'altro lato e fissarla con le viti.



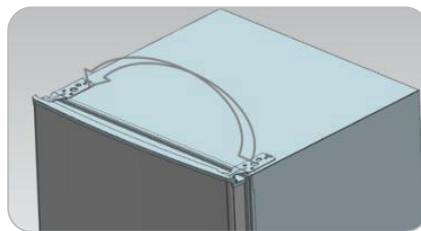
7. Sostituire la cerniera centrale.



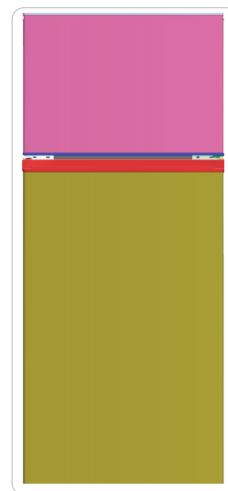
8. Posizionare correttamente la porta inferiore, fissare la cerniera centrale.



9. Sostituire la cerniera superiore.

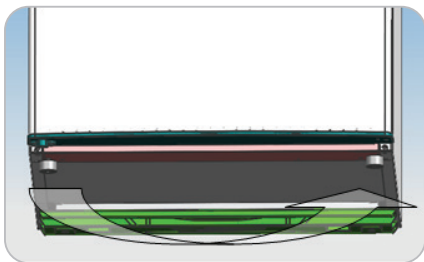


10. Posizionare correttamente la porta superiore, fissare la cerniera superiore e coprire con il coperchio.



11. Installare i quattro copri-vite e le due chiusure nelle posizioni corrispondenti.
- Assicurarsi che l'elettrodomestico sia scollegato e vuoto.
 - Regolare i due piedini livellatori alla loro posizione più alta.
 - Si consiglia di avere qualcuno che fornisca assistenza durante l'operazione.

12. Sostituire il livellatore dall'altro lato e regolarlo per assicurarsi che l'armadio sia livellato.

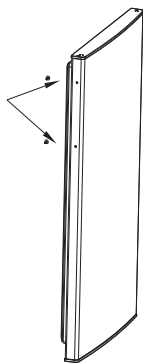


La figura sopra è solo a scopo illustrativo. La configurazione effettiva dipenderà dal prodotto fisico o dalle indicazioni del distributore.

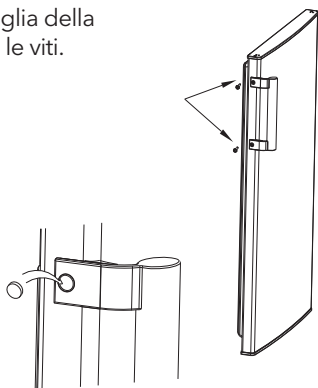
Installazione dell'illuminazione della maniglia della porta (opzionale)

Nota: Le immagini nel manuale dell'utente sono solo a scopo illustrativo. Il prodotto effettivo potrebbe differire leggermente. Il frigorifero deve essere scollegato dalla fonte di alimentazione elettrica prima di tentare l'installazione dell'accessorio.

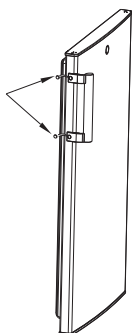
- Passaggio 1: Rimuovere due perni spina dalla porta (Lato di apertura della porta)



- Passaggio 2: Installare la maniglia della porta sulla porta e fissarla con le viti.



- Passaggio 3: Coprire le coperture delle viti della maniglia nei fori delle viti.

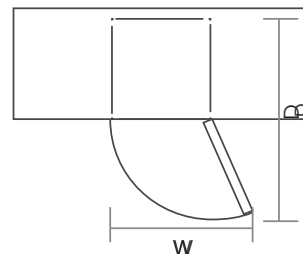


*La figura sopra riportata è solo a scopo illustrativo. La configurazione effettiva dipenderà dal prodotto fisico o dalle indicazioni del distributore.

Requisiti di spazio per la porta

a porta dell'unità deve essere in grado di aprirsi completamente come mostrato.

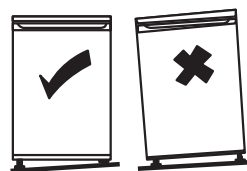
$W \times D \geq 902 \times 1052 \text{mm}$



Livellamento dell'unità

Per fare ciò, regolare i due piedini di livellamento nella parte anteriore dell'unità. Se l'unità non è livellata, la porta e l'allineamento della guarnizione magnetica potrebbero non essere corretti.

Assicurarsi che il piedino tocchi il terreno prima dell'uso. Guardare dall'alto, allentare in senso orario e antiorario per regolare.



Pulizia prima dell'uso

Pulire l'interno dell'unità con una soluzione debole di bicarbonato di sodio. Quindi risciacquare con acqua calda utilizzando una spugna o un panno strizzato. Lavare i ripiani e il cassetto per l'insalata con acqua calda e sapone e asciugarli completamente prima di rimmetterli nell'unità. Pulire l'esterno dell'unità con un panno umido. Se necessario, consultare la sezione di Pulizia per ulteriori informazioni.

Prima di utilizzare l'unità

Non danneggiare in alcun modo il cavo di alimentazione al fine di garantire un uso sicuro. Non utilizzare l'unità se il cavo di alimentazione è danneggiato o la spina è usurata.

Non mettere oggetti infiammabili, esplosivi, volatili e altamente corrosivi nel frigorifero per evitare danni al prodotto o incidenti causati dal fuoco.

Non posizionare oggetti infiammabili vicino al frigorifero per evitare incendi.

Questo prodotto è un frigorifero domestico e dovrebbe essere utilizzato esclusivamente per la conservazione di cibi.

Secondo gli standard nazionali, i frigoriferi domestici non devono essere utilizzati per altri scopi, come la conservazione di sangue, farmaci o prodotti biologici.

Non posizionare oggetti come bottiglie o contenitori sigillati di liquidi, come birre in bottiglia e bevande, nel congelatore per evitare esplosioni e altre perdite.

Prima di inserire qualsiasi alimento nell'unità, accendila e attendi 24 ore per assicurarti che funzioni correttamente e permettere di raggiungere la temperatura corretta. L'unità non dovrebbe essere sovraccaricata.



• Prima di collegare

È necessario verificare di avere una presa di corrente compatibile con la spina fornita con l'apparecchio.

• Prima di accendere!

Non accendere l'apparecchio fino a due ore dopo averlo spostato.

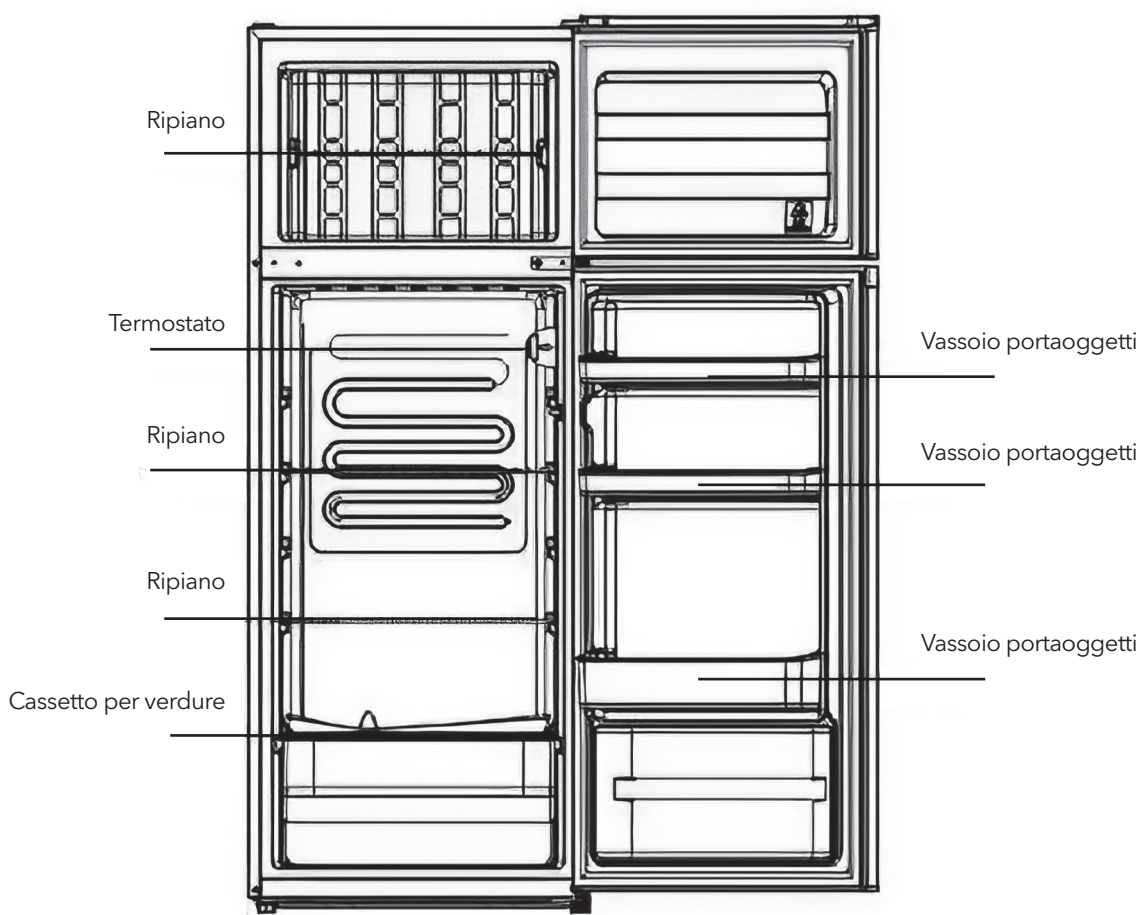
Accessori interni

Vengono inclusi con il tuo elettrodomestico vari ripiani di vetro o plastica per la conservazione - i diversi modelli hanno diverse combinazioni. Dovresti sempre inserire uno dei ripiani di conservazione di dimensioni standard nella guida più bassa, sopra i contenitori per frutta e verdura, e mantenerlo in questa posizione. Per farlo, tira il ripiano di conservazione in avanti finché non può essere ruotato verso l'alto o verso il basso e rimosso. Ti preghiamo di fare lo stesso in senso inverso per inserire il ripiano ad un'altezza diversa.



Per sfruttare al meglio il volume del vano di conservazione degli alimenti freschi e del vano di conservazione degli alimenti congelati, l'utente può rimuovere uno o più ripiani, cassette ostra dall'elettrodomestico, in base alle proprie esigenze quotidiane.

PANORAMICA DEL PRODOTTO



Cassetti, contenitori per alimenti, ripiani, ecc. posizionati secondo la disposizione mostrata nella figura sopra sono i più efficienti dal punto di vista energetico.

*La foto sopra è solo a scopo illustrativo. La configurazione effettiva dipenderà dal prodotto fisico o dalle indicazioni del distributore.

OPERAZIONE

Accensione dell'unità

Impostazione "Off": Unità spenta Impostazione "Min":

Temperatura meno fredda Impostazione "Med" o "MID":

Funzionamento normale (adeguato per la maggior parte delle situazioni) Impostazione "Max": Temperatura più fredda

- Durante le giornate con temperature ambientali elevate, ad esempio durante i giorni caldi dell'estate, potrebbe essere necessario impostare il termostato alla posizione più fredda (posizione "Max"). Ciò potrebbe comportare il funzionamento continuo del compressore al fine di mantenere una bassa temperatura all'interno del frigorifero.
- Per la prima installazione del tuo frigorifero, imposta la manopola del termostato su "Med". Lascia al tuo frigorifero il tempo di raffreddarsi completamente prima di aggiungere il cibo. È meglio aspettare 24 ore prima di aggiungere il cibo. La manopola del termostato controlla la temperatura. Quando la manopola del controllo del termostato è impostata su OFF, il frigorifero non sarà in funzione.

Rumore all'interno dell'unità!

Potresti notare che la tua unità emette alcuni rumori insoliti. La maggior parte di questi rumori è perfettamente normale, ma è importante essere consapevoli di essi. Questi rumori sono causati dalla circolazione del liquido refrigerante nel sistema di raffreddamento. Sono diventati più pronunciati con l'introduzione dei gas privi di CFC.

PULIZIA

Scongelamento

NOTA: QUESTA UNITÀ NON HA UN SISTEMA DI SBRINAMENTO AUTOMATICO.

Utilizzare una paletta per ghiaccio in plastica per rimuovere la formazione di brina dall'evaporatore. Non utilizzare oggetti metallici appuntiti.

Pulizia dell'interno e dell'esterno dell'unità

- Gli accumuli di polvere dietro il frigorifero e sul pavimento devono essere puliti tempestivamente per migliorare l'effetto di raffreddamento e il risparmio energetico.
- Controlla regolarmente la guarnizione della porta per assicurarti che non ci siano detriti. Pulisci la guarnizione della porta con un panno morbido inumidito con acqua saponata o detergente diluito.
- L'interno del frigorifero dovrebbe essere pulito regolarmente per evitare odori.
- Prima di pulire l'interno, spegnere l'alimentazione, rimuovere tutti gli alimenti, bevande, ripiani, cassetti, ecc.
- Utilizzare un panno morbido o una spugna per pulire l'interno del frigorifero, utilizzando due cucchiaini di bicarbonato di sodio e un litro di acqua tiepida. Successivamente risciacquare con acqua e asciugare con un panno pulito. Dopo la pulizia, aprire la porta e lasciare che si asciughi naturalmente prima di riaccendere l'alimentazione.
- Per le aree difficili da pulire nel frigorifero (come spazi stretti, fessure o angoli), si consiglia di pulirli regolarmente

Questo non è un difetto e non influenzerà le prestazioni della tua unità. Si tratta del motore del compressore che lavora, pompa il refrigerante nel sistema.

Suggerimenti per conservare il cibo nell'unità

- Le carni e i pesci cotti devono sempre essere conservati su uno scaffale sopra le carni e i pesci crudi per evitare il trasferimento batterico. Conservare le carni e i pesci crudi in un contenitore sufficientemente grande da raccogliere i succhi e coprirlo correttamente. Posizionare il contenitore sullo scaffale più basso.
- Lascia spazio intorno ai tuoi alimenti per permettere all'aria di circolare all'interno dell'unità. Assicurati che tutte le parti dell'unità siano mantenute fresche.
- Per evitare il trasferimento di aromi e la disidratazione, imballa o copri gli alimenti separatamente. Frutta e verdura non hanno bisogno di essere avvolti.
- Lascia sempre raffreddare il cibo precotto prima di metterlo nel frigorifero. Ciò contribuirà a mantenere la temperatura interna del frigorifero.
- Per evitare la fuoriuscita di aria fredda dal frigorifero, cerca di limitare il numero di volte che apri la porta. Ti consigliamo di aprire la porta solo quando devi mettere il cibo all'interno o prenderlo.

Cambia la lampadina

Sostituzione della lampada da parte di professionisti

con un panno morbido, una spazzola morbida, ecc.

E quando necessario, utilizzare eventuali strumenti ausiliari (come bastoncini sottili) per assicurarsi che non si accumulino contaminanti o batteri in queste zone.

- Non utilizzare sapone, detersivo, polvere abrasiva, spray detergenti, ecc., poiché potrebbero causare odori nell'interno del frigorifero o contaminare gli alimenti.
- Pulire la griglia delle bottiglie, gli scaffali e i cassetti con un panno morbido inumidito con acqua saponata o detergente diluito. Asciugare con un panno morbido o lasciar asciugare naturalmente.
- Pulire la superficie esterna del frigorifero con un panno morbido inumidito con acqua saponata, detergente, ecc., e poi asciugare con un panno asciutto.
- Non utilizzare spazzole rigide, palline di acciaio pulenti, spazzole metalliche, abrasivi (come dentifrici), solventi organici (come alcol, acetone, olio di banana, ecc.), acqua bollente, sostanze acide o alcaline che potrebbero danneggiare la superficie e l'interno del frigorifero. L'acqua bollente e i solventi organici come il benzene potrebbero deformare o danneggiare le parti in plastica.
- Non risciacquare direttamente con acqua o altri liquidi durante la pulizia per evitare cortocircuiti o compromettere l'isolamento elettrico dopo l'immersione.

Suggerimenti per la pulizia

La condensa può apparire all'esterno dell'unità. Questo potrebbe essere dovuto a un cambiamento nella temperatura ambiente. Asciugare eventuali residui di umidità. Se il problema persiste, contattare un tecnico qualificato per assistenza.

MANUTENZIONE

Modifica della luce interna

Sostituzione della lampada da parte di professionisti

Attenzione durante la manipolazione / spostamento del tuo apparecchio.

Tieni l'unità per i suoi lati o la base quando la sposti. In nessun caso sollevare l'unità tenendo gli angoli della superficie superiore.

Manutenzione

L'unità dovrebbe essere riparata da un tecnico autorizzato e utilizzare solo ricambi originali. In nessun caso dovresti tentare di riparare l'unità da solo. Le riparazioni effettuate da persone inesperte possono causare lesioni o seri malfunzionamenti. Contatta un tecnico qualificato.

Spegnimento per lunghi periodi di tempo

Quando l'unità non viene utilizzata per un lungo periodo di tempo, scollegarla dalla presa di corrente, svuotare tutto il cibo e pulire l'elettrodomestico, lasciando la porta socchiusa per evitare odori sgradevoli.

RISOLUZIONE DEI PROBLEMI

L'utente può gestire i seguenti problemi semplici. Si prega di chiamare il servizio di assistenza post-vendita se i problemi non vengono risolti.

Inattività	Se il congelatore è collegato alla presa elettrica e all'alimentazione; Bassa tensione; Guasto di alimentazione o interruzione del circuito.
Odore	Gli alimenti odorosi dovrebbero essere avvolti strettamente; Verifica se ci sono alimenti in decomposizione; Verifica se l'interno deve essere pulito.
L'operazione a lungo termine del compressore	È normale che il frigorifero funzioni per periodi più lunghi durante l'estate, quando la temperatura ambiente è più elevata; Non mettere troppo cibo nel congelatore contemporaneamente; Non mettere gli alimenti finché non si sono raffreddati; Apertura frequente della porta del frigorifero.
La luce illuminante non brilla	Se il frigorifero è collegato all'alimentazione, se la luce illuminante è danneggiata
La porta del frigorifero non si chiude correttamente	La porta del congelatore è bloccata da confezioni di cibo; Troppo cibo; Frigorifero inclinabile.
Rumori forti	Verificare se il cibo è disposto in modo uniforme, se il frigorifero è bilanciato e se le parti del frigorifero sono correttamente posizionate.

Suggerimenti

- L'incasso del frigorifero può emettere calore durante il funzionamento, specialmente in estate. Questo è causato dalla dissipazione del condensatore ed è un fenomeno normale.
- Condensa: Si può osservare la formazione di condensa sulla superficie esterna e sulle guarnizioni della porta del congelatore quando l'umidità ambiente è elevata. Questo è un fenomeno normale e la condensa può essere asciugata con un asciugamano asciutto.
- Ronzio: Si può verificare un ronzio durante il funzionamento del compressore, specialmente durante l'avvio o lo spegnimento.

TIPS FOR ENERGY SAVING

Avviso per l'energia


1. Gli elettrodomestici refrigeranti potrebbero non funzionare in modo coerente (possibilità di scongelamento dei contenuti o temperatura troppo elevata nel vano del cibo congelato) quando posizionati per un periodo prolungato al di sotto della temperatura minima per cui l'elettrodomestico è progettato.
2. Il fatto che le bevande effervescenti non devono essere conservate nei compartimenti o armadietti per il cibo congelato o in compartimenti o armadietti a bassa temperatura, e che alcuni prodotti come i ghiaccioli non dovrebbero essere consumati troppo freddi.
3. È necessario non superare il tempo di conservazione raccomandato dai produttori di alimenti per qualsiasi tipo di cibo e in particolare per gli alimenti congelati rapidamente commerciali nei compartimenti o armadietti per alimenti congelati e di conservazione.
4. È necessario prendere precauzioni per evitare un'eccessiva aumento della temperatura degli alimenti congelati durante lo scongelamento dell'apparecchio

- frigorifero, come avvolgere gli alimenti congelati in diversi strati di giornale.
- È necessario tenere le chiavi delle porte o dei coperchi dotati di serrature fuori dalla portata dei bambini e lontano dalla vicinanza dell'apparecchio frigorifero, al fine di evitare che i bambini vengano chiusi all'interno.
 - The necessity that, for doors or lids fitted with locks and keys, the keys be kept out of the reach of children and not in the vicinity of the refrigerating appliance, in order to prevent children from being locked inside.
 - L'apertura prolungata della porta può causare un significativo aumento della temperatura negli scomparti dell'apparecchio.

- Pulire regolarmente le superfici che possono entrare in contatto con gli alimenti e i sistemi di drenaggio accessibili.
- Pulire i serbatoi d'acqua se non sono stati utilizzati per 48 ore; sciacquare il sistema idrico collegato all'approvvigionamento idrico se l'acqua non è stata utilizzata per 5 giorni.
- Conservare la carne cruda e il pesce in contenitori adeguati nel frigorifero, in modo che non vengano a contatto con altri alimenti o gocciolino su di essi.
- Se l'apparecchio frigorifero viene lasciato vuoto per lunghi periodi, spegnere, sbrinare, pulire, asciugare e lasciare la porta aperta per evitare la formazione di muffe all'interno dell'apparecchio.

DISPOSIZIONE

Le vecchie unità hanno ancora un certo valore residuo. Un metodo ecologico di smaltimento garantirà che le preziose materie prime possano essere recuperate e riutilizzate. Il refrigerante utilizzato nella tua unità e i materiali isolanti richiedono procedure speciali di smaltimento. Assicurati che nessuna delle tubature sul retro dell'unità sia danneggiata prima dello smaltimento. Per ottenere informazioni aggiornate sulle opzioni di smaltimento della tua vecchia unità e dell'imballaggio della nuova, contatta l'ufficio del tuo comune. Quando smaltisci una vecchia unità, rompi vecchi lucchetti o serrature e rimuovi la porta come misura precauzionale.

Corretto smaltimento di questo prodotto	
	<p>Corretto smaltimento di questo prodotto</p> <p>Questa marcatura indica che il prodotto non deve essere smaltito insieme agli altri rifiuti domestici nell'intera Unione Europea. Per prevenire possibili danni all'ambiente o alla salute umana derivanti da uno smaltimento non controllato dei rifiuti, riciclarlo in modo responsabile per promuovere il riutilizzo sostenibile delle risorse materiali. Per restituire il dispositivo usato, utilizzare i sistemi di ritiro e raccolta oppure contattare il rivenditore presso cui è stato acquistato il prodotto. Essi possono prendere in carico questo prodotto per un riciclaggio ecologicamente sicuro.</p>

Per ulteriori informazioni, si prega di contattare l'autorità locale o il rivenditore presso cui è stato acquistato il prodotto.

Tabella 1 Classi climatiche

Classe	Simbolo	Temperature ambientali comprese
Temperato esteso	SN	tra 10°C e 32°C
Temperato	N	tra 16°C e 32°C
Subtropicale	ST	tra 16°C e 38°C
Tropicale	T	tra 16°C e 43°C

Temperatura estesa: "Questo apparecchio di refrigerazione è destinato all'uso in ambienti con temperature ambientali comprese tra 10°C e 32°C".

Temperato: "Questo apparecchio di refrigerazione è destinato all'uso in ambienti con temperature ambientali comprese tra 16°C e 32°C".

Subtropicale: "Questo apparecchio di refrigerazione è destinato all'uso in ambienti con temperature ambientali comprese tra 16°C e 38°C".

Tropicale: "Questo apparecchio di refrigerazione è destinato all'uso in ambienti con temperature ambientali comprese tra 16°C e 43°C".

БЕЗБЕДНОСНИ ПРЕДУПРЕДУВАЊА



Предупредување: ризик од пожар / апаливи материјали

- ОВОЈ уред е наменет за употреба во домаќинството и слични средини како што се куќни за вработените во продавниците, канцелариите и други работни средини, земјоделски домаќинства и хотели, мотели и други објекти од станбен тип, каде што им се ставаат на користење на клиентите; објекти кои нудат услуга ноќевање со доручек; кетеринг и во слични не продажни намени.
 - НЕ Е предвидено овој уред да го користат лица (вклучително и деца) со намалени физички, сетилни или ментални способности, или недостаток на искуство и знаење, освен доколку се под контрола на лице одговорно за нивната безбедност или доколку споменатото лице им дало објаснување во врска со употреба на уредот.
 - Потребно е децата да ги надгледувате за да бидете сигурни дека нема да си играат со уредот.
 - ДОКОЛКУ кабелот за напојување е оштетен, потребно е неговата замена да ја направи продавачот, овластениот сервисер или лице со слични квалификации за да се избегне појава на опасност.
 - НЕМОЈТЕ да чувате експлозивни супстанции во овој уред, како боца со аеросол со запалив потисен гас.
 - УРЕДОТ потребно е да го исклучите од штекерот после употреба, а и пред негово одржување на корисникот.
 - ПРЕДУПРЕДУВАЊЕ: Водете сметка отворите за вентилација да не се блокирани внатре во инсталациониот дел или во инсталационата структура на уредот.
 - ПРЕДУПРЕДУВАЊЕ: Не употребувајте механички средства или други постапки за убрзување на процесот на топење, доколку не се препорачани од страна на производителот.
 - ПРЕДУПРЕДУВАЊЕ: Не ја оштетувајте инсталацијата за разладно средство.
 - ПРЕДУПРЕДУВАЊЕ: Не употребувајте електрични уреди внатре во одделот за чување храна на овој уред, освен доколку станува збор за типови на уреди кои се препорачани од страна на производителот.
 - ПРЕДУПРЕДУВАЊЕ: Фрижидерот чувајте го во согласност со локалните прописи бидејќи за неговата работа се користат запалив експозивен гас и разладно средство.
 - ПРЕДУПРЕДУВАЊЕ: При поставување на уредот проверете дали кабелот за напојување е притиснат или оштетен.
 - ПРЕДУПРЕДУВАЊЕ: Немојте да поставувате продолжни кабли со повеќе штекери или преносни акумулатори зад уредот.
 - Не употребувајте продолжни кабли или адаптери без уземјување (со два крака).
 - ОПАСНОСТ: Ризик од затварање деца внатре во уредот. Пред да го отстраните вашиот стар фрижидер или замрзнувач:
 - Извадете ја вратата.
 - Оставете ги полиците внатре во уредот за да неможат децата лесно да влезат внатре.
 - ПРЕД да започнете со инсталација на некој додатен елемент, фрижидерот потребно е да се исклучи од изворот со напојување.
 - РАЗЛАДНОТО средство и средството за пенење циклопентан, кои се употребуваат во фрижидерот се запаливи.
 - Затоа, при отстранување на фрижидерот, чувајте го подалеку од извори на пламен, и наместо да го отстраните со горење, предадете го на квалификувана компанија за рециклирање со соодветни квалификации за да се оневозможи негово повторно користење, така на тој начин ќе ги спречите штетните ефекти по животната средина или други опасности.
 - ЗА EN стандард: Овој уред може да го употребуваат деца на возраст од 8 и повеќе години и лица со намалени физичко-сензорни или ментални способности или со недостаток на искуство и знаење доколку се надгледувани или се упатени за безбедно користење на уредот и ја сфаќаат опасноста од неговата употреба. Децата не смеат да си играат со уредот. Децата не смеат да вршат чистење и одржување на уредот без надзор. Деца на возраст од 3 до 8 години можат да ставаат храна или да ја земаат од уредот за ладење.
 - ЗА да избегнете загадување на храната, придржувајте се на следните упатства:
 - Долго држење на вратата на уредот отворена може да доведе до значително покачување на температурата во внатрешните делови на уредот.
 - Редовно чистење на површините кои може да дојдат во допир со храната, како и пристапните делови на одводниот систем.
 - Исчистете ги садовите за вода доколку не сте ги користеле во временски период од 48 часа; во колку во период од 5 дена не сте земале вода од уредот, исплакнете го системот за проток на вода поврзан со доводот на вода (забелешка 1)
 - Чувајте сирово месо и риба во фрижидерот во соодветни садови, за да не дојде во контакт со друга храна или како не би капело врз останатата храна.
 - Прегради замрзната храна обележани со две ѕвездички (✳ ✳) тие се погодни за чување на претходно замрзната храна, за држење или правење сладолед и за правење коцки мраз. (белешка 2)
 - Делови обележани со една (✳), две (✳ ✳), три (✳ ✳ ✳) или четири ѕвездички (✳ ✳ ✳ ✳) не се погодни за замрзнување на свежа храна. (белешка 3)
 - Ако уредот за ладење треба да биде празен подолг временски период, исклучете го, одмрзнете го, исчистете го и исушете го, а потоа оставете ја вратата на апаратот отворена за да спречи мувла да расте во внатрешноста на апаратот.
 - За уреди кои немаат оддел обележан со четири ѕвезди: овој уред за ладење не е погоден за замрзнување храна. (белешка 4)
- Белешки 1, 2, 3, 4: Проверете дали дадените информации се применливи на видовите делови на вашиот производ.
- ЗА самостојни уреди: овој уред за ладење не е наменет да се користи како вграден уред.
 - Предвидено е каква било замена или одржување на ЛЕД-ламби да ја спроведува производителот, неговиот овластен сервисер или лице со слични квалификации. Светилката спаѓа на енергетската ефикасност од класа G.

ИНСТАЛАЦИЈА

Локација

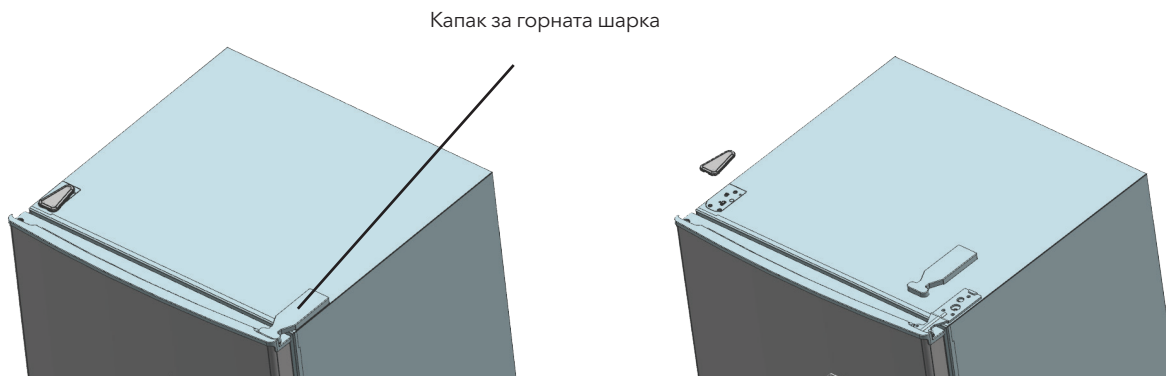
При изборот на локација за Вашиот уред, уверете се дека подлогата е рамна и цврста, како и дека проветрувањето во просторијата е добро. Избегнувајте поставување на уредот во близина на извори на топлина, на пр., шпорети, бојлери или радијатори. Исто така, избегнувајте директно изложување на сонце, бидејќи тоа може да доведе до зголемена потрошувачка на електрична енергија. Исклучително ниските собни температури исто така можат да предизвикаат лошо работење на уредот. Овој уред не е наменет за употреба во гаражи, ниту

за поставување на отворено. Не го прекривајте уредот. При поставувањето, проверете дали од обете страни на уредот е оставено растојание со широчина од 10 cm, како и 10 cm од задната и 30 cm од горната површина на уредот. На овој начин ќе овозможите циркулирање на ладниот воздух околу винските витрини и подобрување на ефикасноста на постапката за ладење.

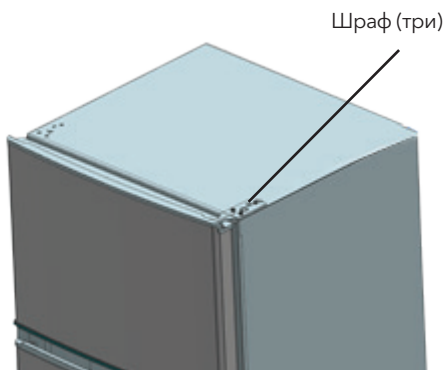
Промена на насоката на отворање на вратата (опционално)

Потребни алати: Крстест одвртувач / рамен одвртувач / шестоаголен клуч

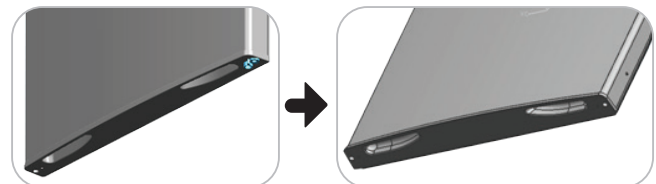
1. Отстранете го капакот за горната шарка.



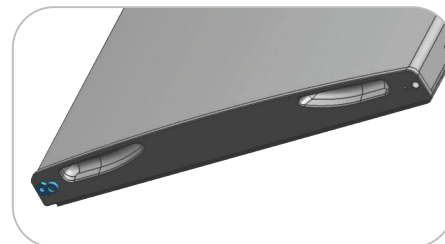
2. Со помош на крстест одвртувач, отстранете ги шрафовите со кои е прицврстена горната шарка.



Б. Отстранете го граничникот на вратата.

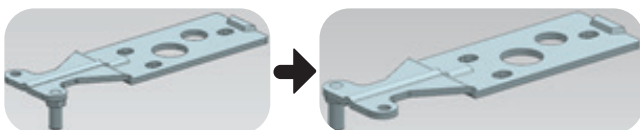


В. Ве молиме подгответе го другиот граничник и прицврстете го за вратата со шрафови.



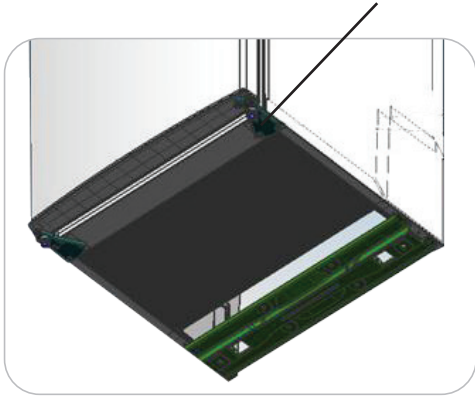
3. Преместете ги горната шарка и горниот граничник на вратата, како и носачот на врата на другата страна.

А. Отстранете ја навртката со носачот. Отстранете ја подлошката, а потоа преместете ја оската на другата страна и прицврстете ја.



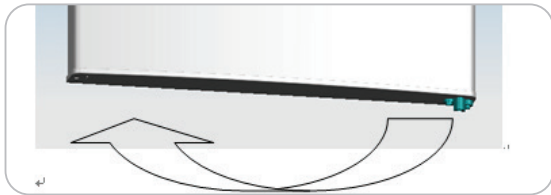
4. Отстранете ги шрафовите со кои е прицврстена долната шарка со помош на крстест одвртувач .

Шрафови со кои е прицврстена долната шарка

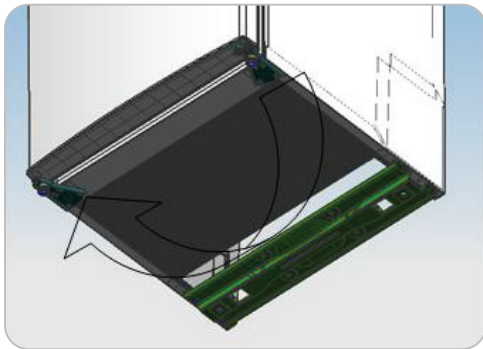


Напомена: аголот на наклонување на фрижидерот-замрзнувач е помал од 45°.

5. Променете ја страната на долниот носач на вратата и граничникот.



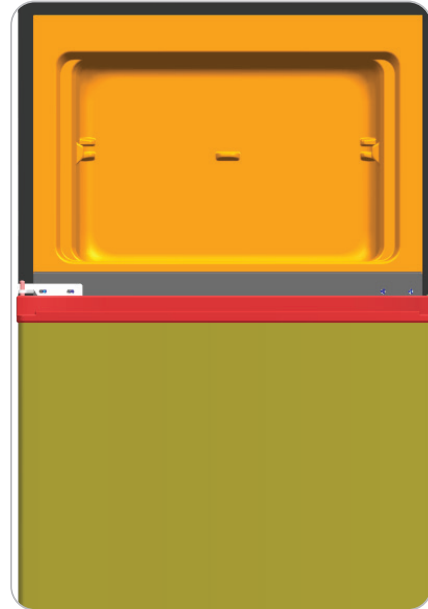
6. Преместете ја долната шарка на другата страна и прицврстете ја со шрафови.



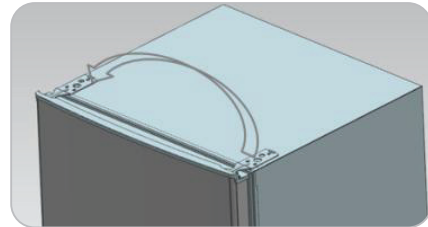
7. Преместете ја средишната шарка.



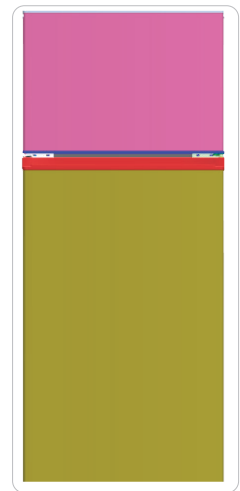
8. Поставете ја долната врата во соодветна позиција, прицврстете ја средишната шарка.



9. Преместете ја горната шарка.



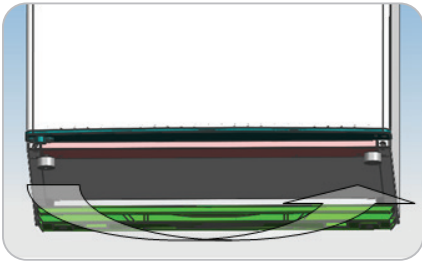
10. Поставете ја горната врата во соодветна позиција, прицврстете ги горната шарка и капакот.



11. Поставете ги четирите преклопки за шрафови и двете резиња на соодветно место.

- Уверете се дека уредот е исклучен од струја и испразнет.
- Двете ногарки за нивелирање поставете ги на највисока позиција.
- Ви препорачуваме ова да не го правите сами.

12. Префрлете го нивелаторот на другата страна и уверете се дека уредот е изнивелиран.

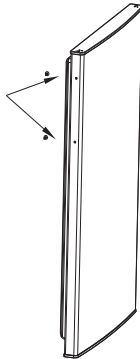


Горната слика е прикажана исклучиво во илустративни цели. Реалната конфигурација ќе зависи од самиот уред или од изјавите на дистрибутерот.

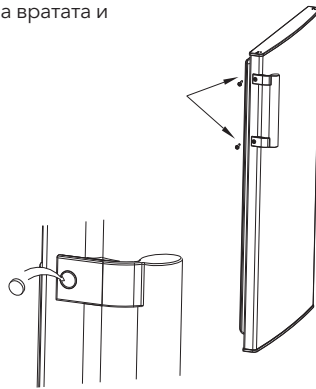
Поставување рачка на вратата на уредот (опционално)

Напомена: Сликите во ова упатство служат само во илустративни цели. Вистинскиот производ може да се разликува незначително. Уредот треба да биде исклучен од струја пред поставувањето на пропратни елементи.

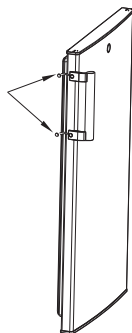
Чекор 1: Отстранете ги двете штифни (странично од отворената врата)



Чекор 2: Поставете ја рачката на вратата и прицврстете ја со шrafoви



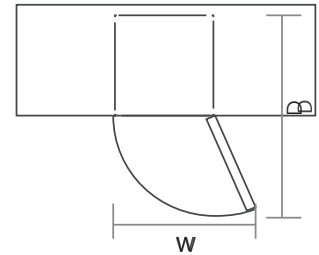
Чекор 3: Поставете ги преклопките за шrafoви на рачката во лежиштата за шrafoви



* Горната слика е прикажана исклучиво во илустративни цели. Реалната конфигурација ќе зависи од самиот уред или од изјавите на дистрибутерот.

Потребен простор за вратата

Потребно е да се остави доволно простор за потполно отворање на вратата на уредот на начин прикажан на сликата. $W \times D \geq 902 \times 1052 \text{mm}$

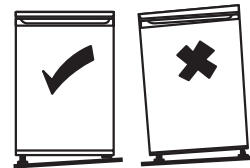


Нивелирање на уредот

Се врши со прилагодување на двете ногарки за нивелирање, кои се наоѓаат на предната страна на уредот. Доколку уредот не е изнивелиран, вратата и магнетната заптивка нема да бидат правилно споени.

Пред употреба проверете дали ногарките ја допираат подлогата.

Гледано одозгора, вртете во насока на движење на стрелките на часовникот или во насока спротивна од движењето на стрелките на часовникот заради отпуштање или затегнување.



Чистење пред употреба

Внатрешноста на уредот избришете ја со слаб раствор од сода бикарбона. Потоа измијте ја со топла вода со помош на сунѓер или крпа што може да се исцеди. Полиците и преградата за салати измијте ги со топла вода со сапуница и целосно исушете ги пред повторно да ги поставите во уредот. Надворешниот дел на уредот исчистете го со влажна крпа. Доколку Ви се потребни повеќе информации, погледнете го одделот Чистење.

Пред употреба на уредот

Како би ја осигурале безбедноста при употреба, во никој случај не го оштетувајте кабелот за напојување и не го употребувајте уредот доколку кабелот е оштетен или приклучокот е истрошен. За да спречите оштетувања на производот или појава на пожар, во фрижидерот не ставајте запаливи, експлозивни и испарувачки предмети, ниту предмети кои лесно кородираат.

За да избегнете појава на пожар, не ставајте запаливи предмети во близина на фрижидерот.

Овој производ е фрижидер наменет за употреба во домаќинството и е погоден исклучиво за чување на храна. Според националните стандарди, фрижидерите наменети за употреба во домаќинството не смеат да се користат во никакви други цели, какви што се складирање на крв, лекови или биолошки производи.

Во замрзнувачот не ставајте предмети какви што се течности во шише или во затворени садови, од типот на флаширани пива или пијалоци, како би избегнале нивно пукање и други штети.

Пред да ставите каква било храна во уредот, вклучете го и почекајте 24 часа, како би биле сигурни дека работи на соодветен начин и како би му оставиле доволно време за температурата да се спушти на соодветните вредности. Уредот не треба да се преполнува.



• Пред поврзување во струја

Мора да проверите дали има штекер кој е компатибилен со приклучокот кој е доставен со уредот.

• Пред да го вклучите уредот!

Уредот не го вклучувајте барем два часа по неговото пренесување.

Внатрешни пропратни елементи

Вашиот уред содржи различни стаклени или пластични полица за складирање - комбинациите се разликуваат во зависност од моделот.

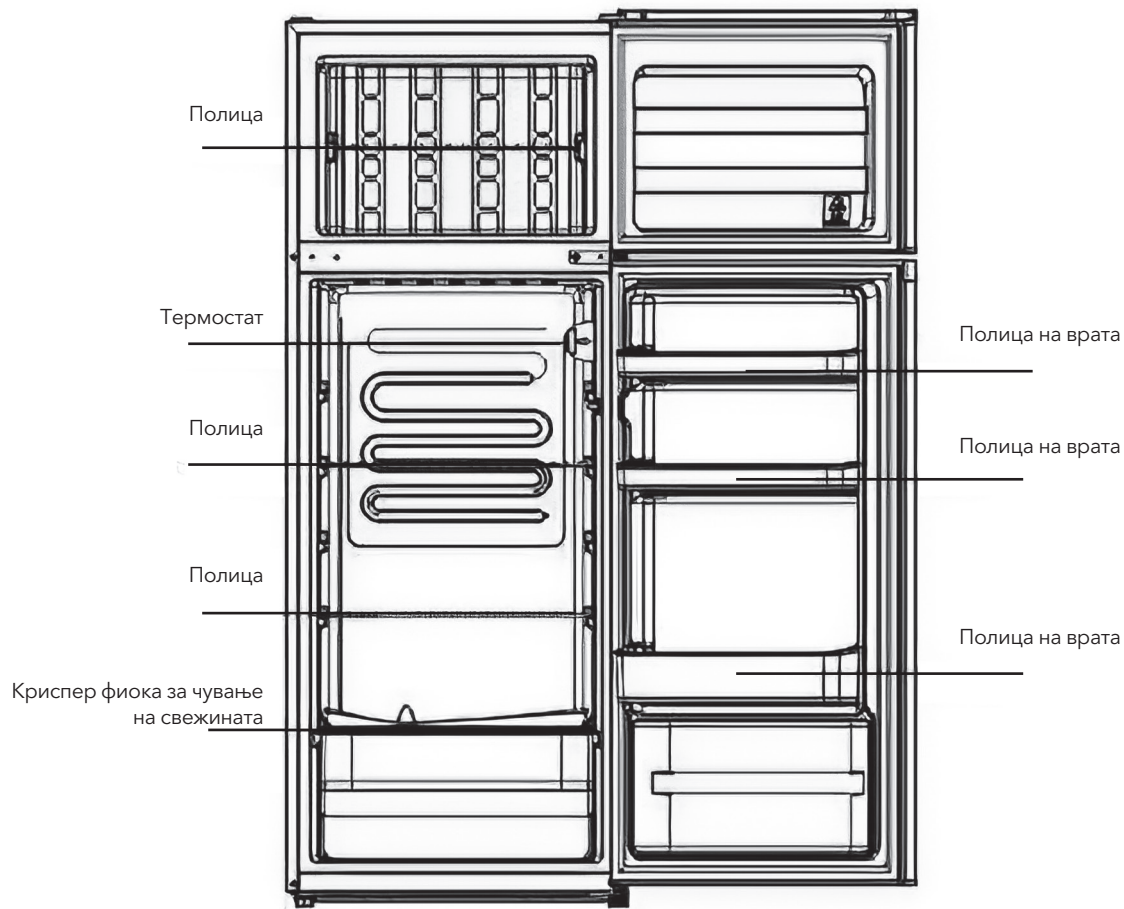
Една од стаклените полица за складирање, која ја зазема комплетната површина на уредот, треба секогаш со лизгање да ја вметнете на најниското ниво, над преградата за овошје и зеленчук, и да ја оставите на тоа место. Ова направете го така што ќе ја повлечете полицата за складирање кон напред, до положба во која е можно нејзино ротирање кон горе или долу и отстранување.

За да ја поставите полицата на некоја друга висина, следете ги горенаведените чекори, но во спротивен редослед.



Како би го искористиле максимално просторот во преградата за чување на свежа храна и во преградата за чување на замрзната храна, можете да отстраните една или повеќе полица и фиоки од уредот, во зависност од Вашите секојдневни потреби.

ПРИКАЗ НА ПРОИЗВОДОТ



Распоред на фиоки, кутија за чување храна, полица итн. организирано според сликата погоре, најмногу придонесува за енергетската ефикасност на уредот.

*Горната слика е прикажана исклучиво во илустративни цели. Реалната конфигурација ќе зависи од самиот уред или од изјавите на дистрибутерот.

РАБОТЕЊЕ НА УРЕДОТ

да влијае врз работењето на Вашиот уред. Станува збор за звук од работењето на моторот на компресорот при пумпање на средството за ладење низ системот.

Вклучување на уредот

Поставување на „Off“: Уредот е исклучен

Поставување на „Min“: Помала јачина на ладење

Поставување на „Med“ или „MID“: Нормално работење (соодветно во повеќето ситуации)

Поставување на „Max“: Најсилно ладење

- При високи собни температури, на пр. во текот на жешките летни денови, може да биде потребно термостатот да се постави на најсилно ладење (позиција „Max“). Ова може да доведе до непрекинато работење на компресорот со цел одржување на ниска температура во уредот.
- При иницијалното поставување на уредот, копчето на термостатот поставете го на „Med“. Пред да започнете со внесување храна, оставете фрижидерот потполно да се олади. Најдобро е да се почекаат 24 часа пред ставањето храна во фрижидерот. Со копчето на термостатот се контролира температурата.

Бучава во внатрешноста на уредот!

Можеби ќе забележите дека Вашиот уред создава одредени необични звуци. Повеќето споменати звуци се нормални, но потребно е да бидете свесни за нив!

Звучите настануваат при циркулирање на течното средство за ладење во рамки на системот за ладење. Ова е поизразена појава по воведувањето на гасови кои не содржат хлорофлуоројаглероди (ХФЈ). Ова не претставува грешка и нема

Совети за чување на храна во уредот

- Термички обработеното месо/риба треба секогаш да се складира на полицата над сировото месо/риба како би се избегнало расејување на бактерии. Сировото месо/риба држете го во сад кој е доволно голем за да ги задржи соковите од месото. Садот соодветно поклопете го и ставете го на најниската полица.
- Оставете растојание помеѓу храната како би овозможиле циркулирање на воздухот во уредот. Уверете се дека сите делови на уредот се разладени.
- Како би спречиле пренесување на мириси и сушење, храната засебно пакувајте ја или поклопувајте ја. Овошјето и зеленчукот не е потребно да се завиткува.
- Храната која е претходно термички обработена секогаш оставете ја да се олади пред да ја внесете во уредот. На тој начин го помагате одржувањето на внатрешната температура на уредот.
- Како би го спречиле губењето на ладен воздух од уредот, обидете се да го ограничите бројот на отворања на вратата. Ви препорачуваме вратата да ја отворате само кога е потребно да ставите храна во уредот или да ја извадите од него.

Замена на сијалички

Замената на сијаличките треба да ја изврши стручно лице.

ЧИСТЕЊЕ

Одмрзнување

ИМАЈТЕ ПРЕДВИД ДЕКА ОВОЈ УРЕД НЕ ПОСЕДУВА АВТОМАТСКИ СИСТЕМ ЗА ОДМРЗНУВАЊЕ.

Кога отстранувате мраз од испарувачот, користете пластична шпатула за да го отстраните мразот. Не употребувајте остри метални предмети

Чистење на внатрешноста и надворешноста на единицата

- За подобрување на ефектот на ладење и заштеда на енергија, редовно чистете го правот зад фрижидерот и подлогата.
- Проверувајте ја заптивката на вратата редовно за да бидете сигурни дека нема нечистотија на неа. Исчистете го заптивката на вратата со мека крпа навлажнета со вода за сапуница или разреден детергент.
- За да избегнете непријатни мириси, редовно чистете ја внатрешноста на фрижидерот.
- Пред да започнете со чистење на внатрешноста на ладилникот, извадете го од струја, извадете ја целата храна, пијалоци, полици, фиоки итн.
- За чистење на внатрешноста на ладилникот, користете мека крпа или сунѓер со две лажици сода бикарбона и четвртина литар топла вода. Потоа исплакнете со вода и избришете го суво. По чистењето, отворете ја вратата и оставете ја да се исуши природно пред да го вклучите апаратот.
- За чистење на тешко достапните делови од ладилникот (како што се тесни отвори, отвори или агли), препорачливо е редовно да се бришете со мека крпа, мека четка, итн., Доколку е потребно во комбинација со некои помошни алатки (како што се тенки стапчиња), со што се спречува натрупување загадувачи или бактерии.

- Не користете сапун, детергент, прашок за чистење, средства за чистење спреј, итн., Бидејќи овие средства можат да создадат непријатни мириси во фрижидерот или да ја загадат храната.
- Исчистете ја решетката за шишиња, полиците и фиоките со мека крпа навлажнета со вода за сапуница или разреден детергент. Исушете со мека крпа или оставете да се исуши природно.
- Избришете го надворешниот дел од фрижидерот со мека крпа навлажнета со сапун, детергент итн., А потоа исушете ја со крпа.
- Не користете тврди четки, жици за чистење на челик, жични четки, абразиви (како паста за заби), органски растворувачи (како што се алкохол, ацетон, масло од банана, итн.), Врела вода или кисели или алкални агенси, што може да ги оштети површините и внатрешноста на фрижидерот. Врела вода и органски растворувачи, како што е бензен, може да ги деформираат или оштетат пластичните делови.
- За време на чистењето, не го плакнете апаратот директно со вода или други течности како би избегнале краток спој или оштетување на материјалите што обезбедуваат електрична изолација по потопувањето.

Совети за чистење

На надворешноста од уредот може да дојде до формирање на кондензат. Причина за тоа може да биде промената на вредностите на собната температура. Избришете ги влажните делови. Доколку проблемот продолжи, обратете се за помош кај квалификувано техничко лице.

ОДРЖУВАЊЕ

Замена на внатрешното осветлување

Замената на сијаличките треба да ја изврши стручно лице.

Внимателност при ракување / пренесување на Вашиот уред

При пренесување, уредот придржувајте го за страничните делови или за основата. Во никој случај уредот не треба да се подигнува држејќи го за краевите на горната површина.

Сервисирање

Сервисирањето на уредот треба да го изврши овластено техничко лице, кое притоа ќе користи исклучиво оригинални

резервни делови. Поправките на уредот во никој случај не ги вршете сами. Поправките кои ги врши лице без искуство може да резултираат со повреди или сериозни оштетувања. Обратете се кај квалификувано техничко лице.

Исклучување на уредот во текот на подолги временски периоди

Кога уредот не го употребувате во текот на подолг временски период, исклучете го од струја, испразнете го и исчистете го, а вратата делумно отворете ја како би спречиле создавање на непријатна миризба.

ОТСТРАНУВАЊЕ НА ПРОБЛЕМИ

Корисникот може сам да ги реши едноставните проблеми наведени подолу во текстот. Доколку не успеете да ги решите проблемите, повикајте го секторот за услуги на одржување.

Уредот не работи	Проверете дали замрзнувачот е вклучен во струја; Низок напон; Недостаток на струја или исконкување на осигурувачот.
Миризба	Храната која испушта јаки мириси треба добро да се завитка; Проверете дали храната е расипана; Проверете дали е потребно да се исчисти внатрешноста на уредот.
Долготрајно работење на компресорот	Нормално е фрижидерот да работи подолго во текот на летото, кога надворешната температура е повисока; Не ставајте премногу храна одеднаш во замрзнувачот; Не ставајте храна додека претходно не се олади; Често отворање на вратата на фрижидерот.
Сијаличката не свети	Проверете дали фрижидерот е приклучен на струја; Проверете дали сијаличката е оштетена.
Вратата на фрижидерот не се затвора на соодветен начин	Амбалажата за храна ја блокира вратата на замрзнувачот; Преголема количина на храна; Фрижидерот е наведнат.
Гласни звуци	Проверете дали храната е изнивелирана и дали фрижидерот е урамнотезен; Проверете дали деловите се поставени на соодветен начин.

Совети

- При работењето, особено во летните месеци, куќиштето на фрижидерот може да емитува топлина настаната од зрачењето на кондензаторот, што е вообичаена појава.
- Кондензација: кондензатот ќе се формира на надворешните површини и на заптивките на вратата на замрзнувачот при

висока влажност во просторијата. Станува збор за нормална појава, а кондензатот може да се избрише со сува крпа.

- Зуење: Во текот на работењето, компресорот ќе зуми, особено при вклучување и исклучување.

ИНФОРМАЦИИ ЗА ЗАШТЕДА НА ЕНЕРГИЈА

Предупредувања за енергија

1. Фрижидерите може да станат несигурни за време на работата (можно одмрзнување на содржината или развој на превисока температура во одделот за замрзната храна) ако се чуваат подолг временски период на температури под работниот опсег на температурата наведени за даден ладилен апарат.
2. Газирани пијалоци не треба да се чуваат во оддели или комори за замрзнување или во оддели или комори со ниски температурни вредности, додека одредени производи, како што е мразот, не треба да се конзумираат кога се премногу ладни;
3. Потребно е да се внимава при складирање на каков било вид на храна што се чува во замрзнувач или оддели или комори за замрзнување на храна, а особено комерцијална храна за брза замрзнување, рокот на траење препорачан од производителот на храна да не биде надминат.

4. Треба да се преземат мерки на претпазливост за да се спречи непотребно покачување на температурата во замрзната храна при одмрзнување на фрижидерите, како што е завиткување на замрзната храна во неколку слоеви на хартија од весник.
5. Зголемувањето на температурите во замрзната храна за време на рачно одмрзнување, одржување или чистење може да го скрати нејзиниот рок на траење.
6. Важно е да ги чувате клучевите од вратите или капаците опремени со брави и клучеви подалеку од дофат на деца и подалеку од уредот за ладење, со цел да се спречи заклучување на децата во внатрешноста на уредот.
7. Држењето на вратата отворена подолго време може да доведе до значително зголемување на температурата во одделите на апаратот.
8. Редовно чистете ги површините што можат да дојдат во

контакт со храна, како и достапните делови на системи за одводнување.

9. Исчистете ги резервоарите за чиста вода ако не сте ги користеле во период од 48 часа; ако не сте земале вода од апаратот за период од 5 дена, исплакнете го системот за проток на вода поврзан со водоснабдувањето.


10. Чувајте сурово месо и риба во фрижидерот во соодветни контејнери за да не дојде во контакт со храна и да капе на друга храна.

11. Ако уредот за ладење ќе биде празен подолг временски период, исклучете го, одмрзнете го, исчистете го и исушете го, а потоа оставете ја вратата на апаратот отворена за да спречи мувла да расте во внатрешноста на апаратот.

ОДЛОЖУВАЊЕ

Старите уреди и натаму имаат одредена резидуална вредност. Со примена на начините на одложување со кои се штити животната средина ќе го овозможите повторното користење и употреба на вредните сировини. Средството за ладење и изолационите материјали во Вашиот уред подразбираат посебни процедури за одложување. Пред да го одложите, уверете се дека ни една цевка на задниот дел од уредот не е оштетена. Ажурирани податоци за одложување на Вашиот стар уред може да добиете во канцелариите на Вашите локални власти.

При одложување на стариот уред, скршете ги сите стари брави или кваки и отстранете ја вратата како мерка на претпазливост.

Правилно одложување на овој производ	
	<p>Правилно одложување на овој производ</p> <p>Оваа ознака укажува дека во ЕУ овој производ не треба да се одложува заедно со останатиот отпад од домаќинството. Како би спречиле потенцијална штета по животната средина или по здравјето на луѓето настаната со неконтролирано одложување на отпадот, одговорно рециклирајте го со што би ја промовирале одржливата повторна употреба на материјалните ресурси. Ве молиме својот половен уред да го вратите по пат на системот за враќање и собирање на отпад или со контактирање на продавницата во која сте го купиле истиот. Така, производот може да се рециклира на безбеден начин по животната средина.</p>

За дополнителни информации, контактирајте ги Вашите локални власти или продавницата од каде сте го купиле производот.

Табела 1 Климатски класи

Класа	Симбол	Опсег на температурата на околината °C
Проширено умерено	SN	+ 10 do + 32
Умерена	N	+ 16 do +32
Суптропска	ST	+ 16 do + 38
Тропска	T	+ 16 do + 43

Проширена умереност: „овој уред за ладење е наменет за употреба на температури на околината од 10 °C до 32 °C“;
 Умерено: „оваа ладилна единица е наменета за употреба на температури на околината од 16 °C до 32 °C“;
 Суптропски: „оваа ладилна единица е наменета за употреба на температури на околината од 16 °C до 38 °C“;
 Тропски: „оваа ладилна единица е наменета за употреба на температури на околината од 16 °C до 43 °C“;

AVERTISMENTE DE SIGURANȚĂ



ATENȚIE: risc de incendiu / materiale inflamabile

- Acest aparat este destinat să fie utilizat în aplicații de uz casnic și similare, cum ar fi spațiile de bucătărie personalului din magazine, birouri și alte medii de lucru; case ferme și de către clienți în hoteluri, moteluri și case de vacanță; medii de tip pensiune și mic dejun; catering și aplicații similare fără vânzare cu amănuntul.
- Acest aparat nu este destinat utilizării de către persoane (inclusiv copii) cu capacități fizice, senzoriale sau mentale reduse sau cu lipsă de experiență și cunoștințe, cu excepția cazului în care li s-a dat supravegherea sau instrucțiunile privind utilizarea aparatului de către o persoană responsabilă pentru siguranța lor.
- Copiii trebuie supravegheați pentru a se asigura că nu se joacă cu aparatul.
- Dacă cablul de alimentare este deteriorat, acesta trebuie înlocuit de producător, agentul de service sau de persoane calificate în mod similar
- Nu depozitați în acest aparat substanțe explozive, cum ar fi cutii de aerosoli cu combustibil inflamabil.
- Aparatul trebuie deconectat de la priză după utilizare și înainte de efectuarea lucrărilor de întreținere ale utilizatorului.
- AVERTISMENT: Păstrați deschiderile de ventilație, în carcasa aparatului sau în structura încorporată, ferite de obstacole.
- AVERTISMENT: Nu utilizați dispozitive mecanice sau alte mijloace pentru a accelera procesul de dezghețare, altele decât cele recomandate de producător.
- AVERTISMENT: Nu deteriorați circuitul refrigerantului.
- AVERTISMENT: Nu utilizați aparate electrice în interiorul compartimentelor de depozitare a alimentelor ale aparatului, decât dacă sunt de tipul recomandat de producător
- AVERTISMENT: Vă rugăm să abandonați frigiderul în conformitate cu regulile locale, pentru a utiliza gazul de suflare inflamabil și agentul frigorific.
- AVERTISMENT: Când poziționați aparatul, asigurați-vă că cablul de alimentare nu este prins sau deteriorat
- AVERTISMENT: Nu localizați mai multe prize portabile sau surse de alimentare portabile în partea din spate a aparatului.
- NU utilizați prelungitoare sau adaptoare
- Pericol: Risc de blocare a copiilor. Înainte de a arunca frigiderul sau congelatorul vechi
 - Scoateți ușile.
 - Lăsați rafturile la locul lor, astfel încât copiii să nu se urce ușor în interior.
- FRIGIDERUL trebuie deconectat de la sursa de alimentare electrică înainte de a încerca instalarea accesoriului.
- REFRIGERANTUL și materialul spumant ciclopentan utilizat pentru aparat sunt inflamabile. Prin urmare, atunci când aparatul este casat, acesta va fi ținut departe de orice sursă de incendiu și va fi recuperat de o companie specială de recuperare cu calificare corespunzătoare, altul decât să fie eliminat prin ardere, astfel încât să se prevină deteriorarea mediului sau orice alt prejudiciu.
- Standard EN: Acest aparat poate fi utilizat de copii cu vârsta de la 8 ani și peste și de persoane cu capacități fizice senzoriale sau mentale reduse sau lipsă de experiență și cunoștințe, dacă li s-a oferit supraveghere sau instrucțiuni cu privire la utilizarea aparatului într-un mod sigur și înțeleg pericolele implicate. Copiii nu trebuie să se joace cu aparatul. Curățarea și întreținerea aparatului nu trebuie făcute de copii fără supraveghere. Copiilor cu vârste cuprinse între 3 și 8 ani li se permite să încarce și să descarce aparate frigorifice.
- Pentru a evita contaminarea alimentelor, vă rugăm să respectați următoarele instrucțiuni:
 - Deschiderea ușii pentru perioade lungi de timp poate provoca o creștere semnificativă a temperaturii în compartimentele aparatului.
 - Curățați regulat suprafețele care pot intra în contact cu alimentele și sistemele de drenaj accesibile.
 - Rezervoarele de apă curată dacă nu au fost utilizate timp de 48 de ore; spălați sistemul de apă conectat la o sursă de apă dacă apa nu a fost aspirată timp de 5 zile. (nota 1)
 - Depozitați carnea crudă și peștele și în recipiente adecvate la frigider, astfel încât să nu intre în contact cu sau să se scurgă pe alte alimente.
 - Compartimentele cu două stele (**) pentru alimente congelate sunt potrivite pentru depozitarea alimentelor pre-congelate, depozitarea sau prepararea gălății și fabricarea cuburilor de gheață. (nota 2)
 - Compartimentele cu două stele (**) și trei (***) stele și patru (****) stele nu sunt potrivite pentru congelarea alimentelor proaspete. (nota 3)
 - Dacă aparatul frigorific este lăsat gol pentru perioade lungi de timp, opriți, dezghețați, curățați, uscați și lăsați ușa deschisă pentru a preveni formarea mușgaiului în aparat.
 - Pentru aparatele fără compartiment de 4 stele: acest aparat frigorific nu este potrivit pentru congelarea produselor alimentare. (Nota 4)

Notă 1,2,3,4 Vă rugăm să confirmați dacă este aplicabil în funcție de tipul compartimentului dvs. de produs.

- PENTRU un aparat independent: acest aparat frigorific nu este destinat a fi folosit ca aparat încorporat.
- ORICE înlocuire sau întreținere a lămpilor cu LED se intenționează a fi făcută de producător, agentul de service sau de o persoană calificată similară.

INSTALAREA

Amplasare

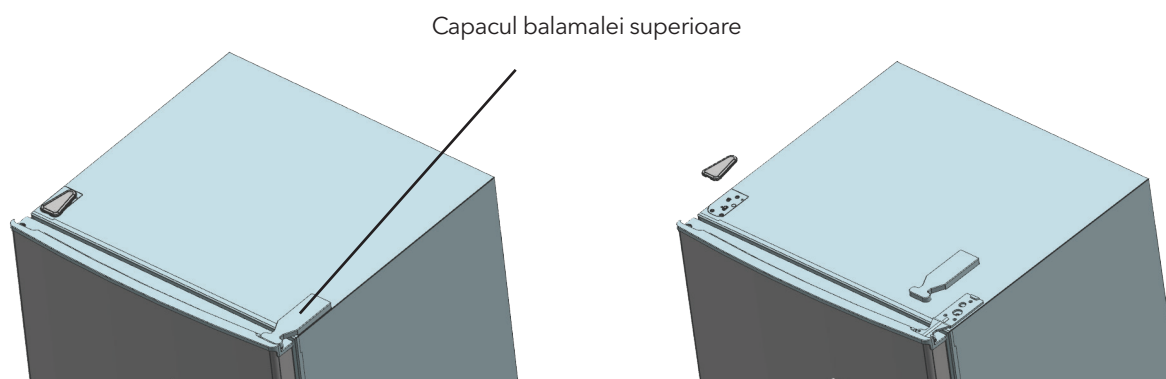
Când selectați o poziție pentru unitatea dvs., trebuie să vă asigurați că podeaua este plată și fermă, iar camera este bine ventilată. Evitați să localizați unitatea lângă o sursă de căldură, de ex. aragaz, cazan sau calorifer. De asemenea, evitați lumina directă a soarelui, deoarece poate crește consumul electric. Temperaturile ambientale extreme la rece pot determina, de asemenea, ca aparatul să nu funcționeze corect.

Această unitate nu este proiectată pentru a fi utilizată într-o instalație de tip garaj sau în aer liber. Nu decorați aparatul. Când instalați aparatul, asigurați-vă că 10 cm de spațiu liber rămân pe ambele părți, 10 cm în spate și 30 cm în partea superioară a unității. Acest lucru va permite aerului rece să circule în jurul răcitorului și să îmbunătățească eficiența procesului de răcire.

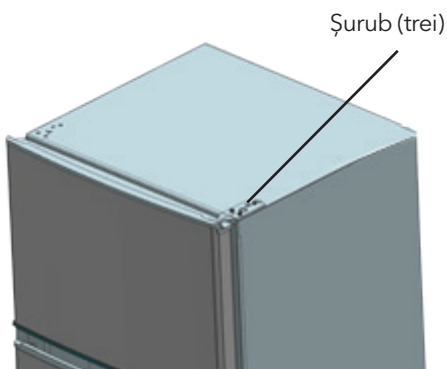
Inversarea ușii (opțional)

Instrumente necesare: șurubelniță în stil Phillips / șurubelniță cu capăt drept / cheie hexagonală.

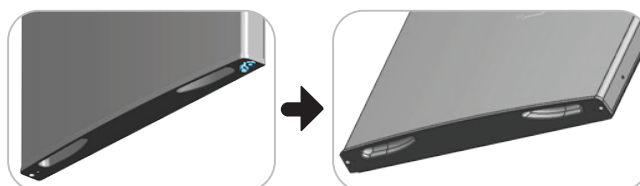
1. Scoateți capacul balamalei din dreapta sus.



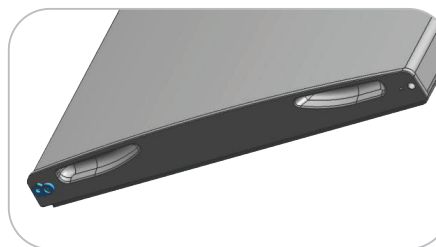
2. Scoateți șuruburile fixate pe balamaua superioară cu o șurubelniță cu slot transversal



B. Scoateți butucul limită pentru ușă

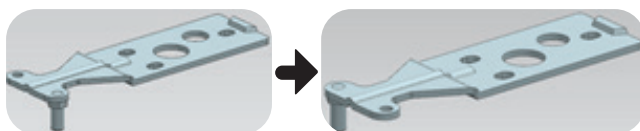


C. Vă rugăm să scoateți un alt butuc limită pentru ușă, cu șurub care se montează pe ușă.

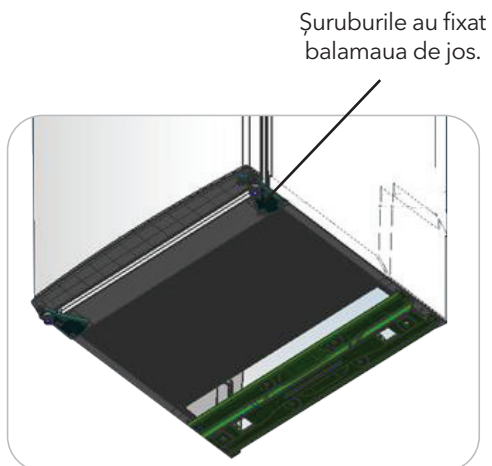


3. Înlocuiți balamaua superioară și butucul limită pentru ușă superioară și bucsa rulmentului ușii în cealaltă parte.

A. Scoateți piulița cu mâncă. Scoateți șaibul apoi îndepărtați axele de cealaltă parte și fixați-le.

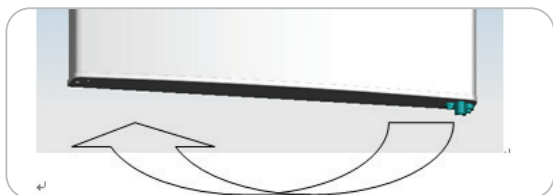


4. Demontați șuruburile fixate cu balamaua de jos cu șurubelniță cu slot transversal.

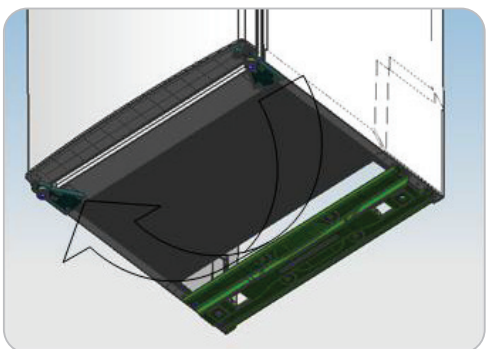


Note: the refrigerator-freezer incline angle less 45°.

5. Înlocuiți bucșa de rulment a ușii de jos și butucul limită.



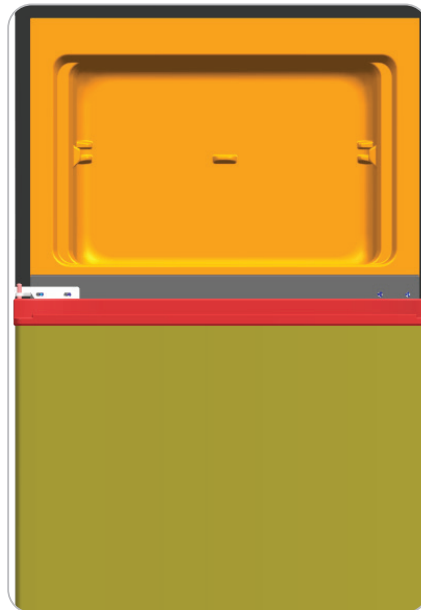
6. Înlocuiți balamaua de jos pe cealaltă parte, apoi fixați-o cu șuruburi



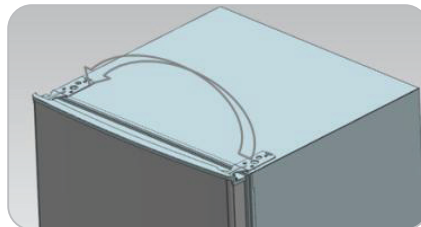
7. Înlocuiți balamaua mijlocie.



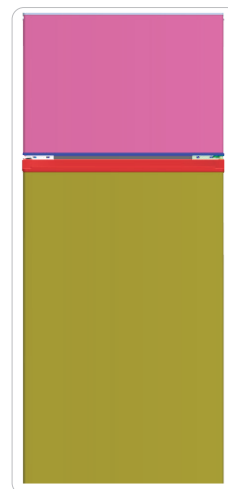
8. Setați poziția din dreapta a ușii de jos, fixați balamaua din mijloc.



9. Înlocuiți balamaua superioară.

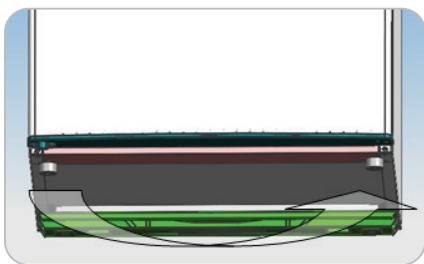


10. Setați poziția din dreapta sus a ușii fixați balamaua superioară și capacul.



11. Instalați cele patru capace cu șurub și două prinderi în poziția corespunzătoare.
- Asigurați-vă că aparatul este deconectat și gol.
 - Reglați cele două picioare de nivelare la poziția lor cea mai înaltă.
 - Vă recomandăm să aveți pe cineva care să vă ajute

12. Înlocuiți nivelatorul pe cealaltă parte și reglați-l pentru a vă asigura că nivelul carcusei este ridicat.

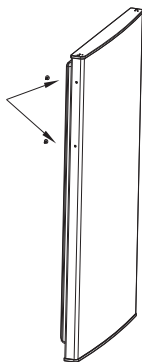


Imaginea de mai sus este doar pentru referință. Configurația reală va depinde de produsul fizic sau de declarația distribuitorului

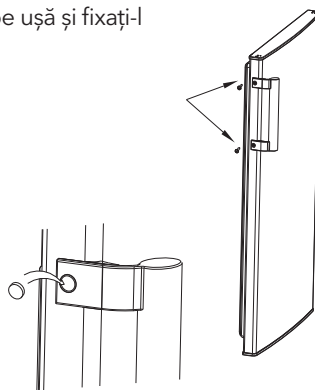
Instalația de Iluminare a mânerului ușii (opțional)

Notă: Imaginile din manualul de utilizare sunt doar pentru referință. Produsul real poate diferi ușor. Frigiderul trebuie deconectat de la sursa de alimentare electrică înainte de a încerca instalarea accesoriului.

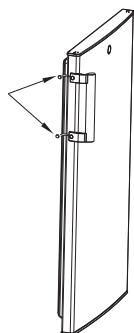
Pasul 1: scoateți două șuruburi de la ușă (partea deschisă a ușii)



Pasul 2: Instalați mânerul ușii pe ușă și fixați-l cu șuruburi



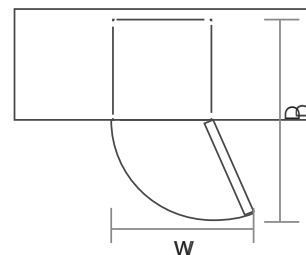
Pasul 3: Acoperiți capacele șuruburilor mânerului în orificiile șuruburilor



*Imaginea de mai sus este doar pentru referință. Configurația reală va depinde de produsul fizic sau de declarația distribuitorului

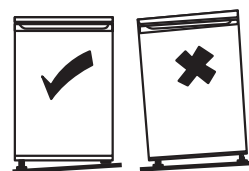
Cerințe de spațiu pentru ușă

Ușa unității trebuie să fie capabilă să se deschidă complet așa cum este indicat.
 $W \times D \geq 902 \times 1052 \text{mm}$



Stabilizarea

Pentru a face acest lucru, reglați cele două picioare de nivelare din fața unității. Dacă unitatea nu este nivelată, alinierea ușii și a garniturii magnetice nu vor fi acoperite corespunzător. Asigurați-vă că picioarele ating solul înainte de utilizare.



Curățare Înainte de Utilizare

Ștergeți interiorul unității cu o soluție slabă de bicarbonat de sodă. Apoi clătiți cu apă caldă folosind un burete sau cârpă moale. Spălați rafturile și coșul de fructe/legume în apă caldă cu detergent și uscați complet înainte de introducere în unitate. Curățați exteriorul unității cu o cârpă umedă. Dacă aveți nevoie de mai multe informații, consultați secțiunea Curățare.

Înainte de a folosi aparatul

Nu deteriorați cablul de alimentare în nicio condiție, astfel încât să asigurați utilizarea siguranței, nu folosiți atunci când cablul de alimentare sau ștecherul este deteriorat.

Nu puneți articole inflamabile, explozive, volatile și foarte corozive în frigider pentru a preveni deteriorarea produsului sau a accidentelor.

Nu așezați obiecte inflamabile lângă frigider pentru a evita incendiile.

Acest produs este frigider casnic și trebuie să fie potrivit numai pentru depozitarea alimentelor. Conform standardelor naționale, frigiderul de uz casnic nu vor fi utilizate în alte scopuri, cum ar fi depozitarea de sânge, medicamente sau produse biologice.

Nu așezați obiecte precum recipiente îmbuteliate sau sigilate cu lichid, cum ar fi bere îmbuteliate și băuturi în congelator pentru a preveni exploziile și alte pierderi.

Înainte de a pune orice aliment în unitatea dvs., porniți-l și așteptați 24 de ore, pentru a vă asigura că funcționează corect și pentru a-i permite ca timpul să scadă la temperatura corectă. Unitatea dvs. nu trebuie încărcată prea tare.



• Înainte de a conecta

Trebuie să verificați dacă aveți o priză care este compatibilă cu ștecherul furnizat cu unitatea.

• Înainte de a porni!

Nu porniți până la două ore după mutarea unității.

Accesorii interioare

Diferitele rafturi de depozitare din sticlă sau plastic sunt incluse în aparatul dvs. - diferite modele au combinații diferite. Ar trebui să glisați întotdeauna unul dintre rafturile de depozitare de sticlă de dimensiuni mari în setul cel mai mic de ghidaje, deasupra containerelor de fructe și legume, și să îl mențineți în această poziție.

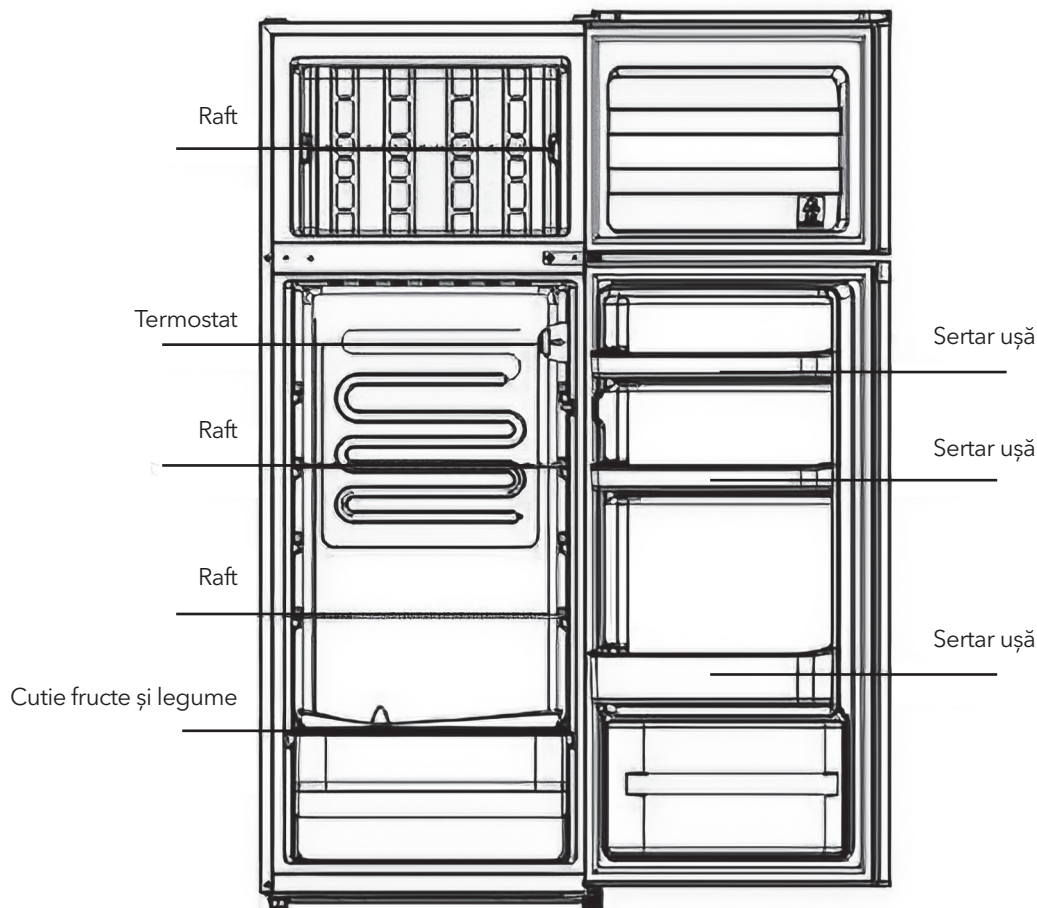
Pentru a face acest lucru, trageți raftul de depozitare înainte până poate fi rotit în sus sau în jos și îndepărtat.

Vă rugăm să faceți același lucru în sens invers pentru a introduce raftul la o înălțime diferită.



Pentru a profita la maxim de volumul compartimentului de depozitare a alimentelor proaspete și a compartimentului pentru depozitarea alimentelor congelate, utilizatorul poate scoate unul sau mai multe rafturi, sertare din aparat, în funcție de utilizarea ta zilnică.

PREZENTARE GENERALĂ



Sertarele, cutiile pentru alimente, rafturile etc. plasate în funcție de poziția din imaginea de mai sus sunt cele mai eficiente din punct de vedere energetic

* Toate imaginile din acest manual de instrucțiuni sunt doar pentru referință; vă rugăm să consultați unitatea dvs. individuală pentru detalii.

OPERARE

Pornirea unității

Setare „Off: Unitate oprită Setare „Min ”: Mai puțin rece Setare temperatură „Med ”sau „MID ”: Funcționare normală (adekvată pentru majoritatea situațiilor) Setare „Max ”: Temperatura cea mai rece

- În timpul temperaturilor ambiante ridicate, de ex. în zilele călduroase de vară. Poate fi necesar să reglați termostatul la setarea cea mai rece (poziția „Max”), ceea ce poate determina compresorul să funcționeze continuu pentru a menține o temperatură scăzută în frigider.
- Pentru prima dată când instalați frigiderul, setați butonul termostatalui la „Med”. Oferiți timp frigiderului să se răcească complet înainte de a adăuga mâncare. Cel mai bine este să așteptați 24 de ore înainte de a adăuga mâncare. Butonul termostatalui controlează temperatura. Când butonul de control al termostatalui este setat pe OFF, frigiderul nu va funcționa.

Zgomot în Interiorul Frigiderului

Este posibil să observați că unitatea dvs. produce unele zgomote neobișnuite. Cele mai multe dintre acestea sunt perfect normale, dar ar trebui să fiți conștienți de ele! Aceste zgomote sunt cauzate de circulația lichidului refrigerant în sistemul de răcire. A devenit mai accentuată de la introducerea gazelor fără CFC. Aceasta nu este o

defecțiune și nu va afecta performanța unității dvs. Acesta este motorul compresorului, deoarece pompează agentul frigorific din jurul sistemului.

Sfaturi pentru păstrarea alimentelor în frigider

- Carne fiartă / peștele ar trebui să fie întotdeauna depozitate pe un raft deasupra cărnii / peștelui crud, pentru a evita transferul de bacterii. Păstrați carnea / peștele crud într-un recipient suficient de mare pentru a colecta sucurile și a-l acoperi corect. Puneți recipientul pe cel mai de jos raft.
- Lăsați spațiu în jurul mâncării, pentru a permite aerului să circule în interiorul unității. Asigurați-vă că toate părțile unității sunt păstrate la rece.
- Pentru a preveni transferul mirosurilor și uscarea, ambalați sau acoperiți alimentele separat. Fructele și legumele nu trebuie împachetate.
- Lăsați întotdeauna mâncarea pre-gătită să se răcească înainte de a o pune în unitate. Acest lucru va ajuta la menținerea temperaturii interne a unității.
- Pentru a preveni scurgerea aerului rece din unitate, încercați să limitați momentele când deschideți. Vă recomandăm să deschideți ușa doar atunci când trebuie să introduceți mâncare sau să luați mâncare afară.

Schimbarea Becului

Înlocuirea becului se va face de către o persoană/service autorizată

CURĂȚAREA

Dezghetarea

NOTĂ ACESTA UNITATE NU CONȚINE SISTEM DE DEFROSTARE AUTOMAT.

Vă rugăm să folosiți o lopată de gheață din plastic atunci când curățați gheața evaporatorului. Nu folosiți obiecte metalice ascuțite.

Curățarea interioară și exterioară a unității

- Praful din spatele frigiderului și de la sol trebuie curățat în timp util pentru a îmbunătăți efectul de răcire și economisirea de energie.
- Verificați periodic garnitura ușii pentru a vă asigura că nu există rezisuri. Curățați garnitura ușii cu o cârpă moale umezită cu apă cu săpun sau detergent diluat.
- Interiorul frigiderului trebuie curățat regulat pentru a evita mirosul.
- Vă rugăm să opriți alimentarea înainte de a curăța interiorul, îndepărtați toate alimentele, băuturile, rafturile, sertarele etc.
- Folosiți o cârpă moale sau un burete pentru a curăța interiorul frigiderului, cu două linguri de bicarbonat de sodiu și un litru de apă caldă. Apoi clătiți cu apă și ștergeți cu cârpă. După curățare, deschideți ușa și lăsați-o să se usuce natural înainte de a porni alimentarea.
- Pentru zonele dificil de curățat în frigider (cum ar fi locurile înguste, golurile sau colțurile), se recomandă să le ștergeți

în mod regulat cu o cârpă moale, perie moale, etc. sub formă de bețișoare subțiri) pentru a vă asigura că nu se acumulează contaminanți sau bacterii în aceste zone.

- Nu utilizați săpun, detergent, pulbere de curățat, spray de curățat etc., deoarece acestea pot provoca mirosuri în interiorul frigiderului sau contaminate alimente.
- Curățați rama sticlei, rafturile și sertarele cu o cârpă moale umezită cu apă cu săpun sau cu detergent diluat. Uscați cu o cârpă moale sau uscați natural.
- Ștergeți suprafața exterioară a frigiderului cu o cârpă moale umezită cu apă cu săpun, detergent etc., apoi ștergeți-o cu o cârpă uscată.
- Nu utilizați perii dure, perii de sârmă, substanțe abrazive (cum ar fi paste de dinți), solvenți organici (precum alcool, acetonă, ulei de banane etc.), apă clocotită, articole acide sau alcaline, care pot deteriora suprafața și interior. Apa clocotită și solvenții organici precum benzenul pot deforma sau deteriora piesele din plastic.
- Nu clătiți direct cu apă sau alte lichide în timpul curățării pentru a evita scurtcircuitele sau pentru a afecta izolația electrică după imersiune.

Sfaturi pentru Curățare

Condensul poate apărea în exteriorul unității. Aceasta se poate datora modificării temperaturii camerei. Ștergeți orice reziduu de umiditate. Dacă problema continuă, vă rugăm să contactați un tehnician calificat pentru asistență.

ÎNTREȚINERE

Schimbarea Luminii Interioare

Înlocuirea becului se va face de către o persoană/service autorizată

Manipularea / mutarea unității

Țineți unitatea în jurul laturilor sau bazei sale atunci când o deplasați. În niciun caz nu trebuie ridicat, ținând marginile suprafeței superioare.

Service

Unitatea trebuie să fie întreținută de un service autorizat și trebuie utilizate numai piese de schimb originale. În niciun

caz nu trebuie să încercați să reparați unitatea. Reparațiile efectuate de persoane neexperimentate pot provoca vătămări sau defecțiuni grave. Contactați un tehnician calificat.

Oprirea pentru perioade lungă de timp

Când unitatea nu este folosită o perioadă lungă de timp, deconectați-o de la rețeaua de alimentare, goliți-o de toate alimentele și curățați aparatul, lăsând ușa întredeschisă pentru a preveni mirosurile neplăcute.

DIAGNOSTICARE

Următoarele probleme simple pot fi gestionate de utilizator. Vă rugăm să apelați departamentul de service autorizat dacă problemele nu sunt rezolvate.

Nu funcționează	Verificați dacă congelatorul este conectat și conectat la alimentare; Voltaj scăzut; Alimentarea cu energie nu funcționează.
Miros neplăcut	Alimentele mirositoare trebuie ambalate corespunzător; Verificați dacă alimentele sunt stricate; Interiorul trebuie curățat.
Funcționarea pe termen lung a compresorului	Este normal ca frigiderul să funcționeze mai mult timp vara, când temperatura ambiantă este mai ridicată; Nu puneți prea multe alimente la congelator simultan; Nu puneți alimente până nu sunt răcite; Nu deschideți ușa frecvent.
Lumina nu funcționează	Verificați dacă frigiderul este conectat la alimentare, Verificați dacă lumina este deteriorată.
Ușa frigiderului nu poate fi închisă în mod corespunzător.	Ușa congelatorului este blocată de pachetele alimentare; Prea multa mancare; Înclinați frigiderul.
Zgomote puternice	Mâncarea nu este așezată corespunzător, frigiderul nu este echilibrat Piesele frigiderului nu sunt amplasate corespunzător

Sfaturi

- Carcasa frigorifică poate emite căldură în timpul funcționării, în special vara, aceasta este cauzată de radiația condensatorului și este un fenomen normal.
- Condensare: fenomenul de condensare va fi detectat pe suprafața exterioară și pe garniturile ușilor congelatorului
- Buzz: Buzz va fi generat de rularea compresorului în special la pornire sau oprire.

când umiditatea ambiantă este mare, acesta este un fenomen normal, iar condensul poate fi șters cu un prosop uscat.

PENTRU ECONOMISIREA ENERGIEI

Avertisment pentru energie

1. Aparatele frigorifice ar putea să nu funcționeze în mod consecvent (posibilitatea dezghețării conținutului sau temperatura să devină ridicată în compartimentul pentru alimente congelate) atunci când sunt amplasate pentru o perioadă extinsă de timp sub capătul rece al intervalului de temperaturi pentru care este proiectat aparatul frigorific.
2. Băuturile efervescente nu trebuie depozitate în compartimentele sau dulapurile congelatoare pentru
3. Nu depășiți timpul de depozitare recomandat de producătorii de alimente pentru orice fel de alimente și, în special, pentru alimentele congelate rapid în compartimente sau dulapuri pentru congelarea alimentelor și a produselor congelate;
4. Luați măsurile de precauție necesare pentru a preveni o


alimente sau în compartimentele sau dulapurile cu temperatură scăzută și unele produse, cum ar fi apa - gheață, nu trebuie consumate prea rece;

- creștere nejustificată a temperaturii alimentelor congelate în timpul dezghețării aparatului frigorific, cum ar fi împachetarea alimentelor congelate în mai multe straturi de ziar.
- 5. Creșterea a temperaturii alimentelor congelate în timpul dezghețării manuale, întreținerii sau curățării ar putea scurta durata de depozitare.
- 6. Pentru ușile sau capacele prevăzute cu încuietori și chei, cheile să nu fie păstrate la îndemâna copiilor și nu în vecinătatea aparatului frigorific, pentru a preveni blocarea copiilor în interior.
- 7. Deschiderea ușii pentru perioade lungi de timp poate provoca o creștere semnificativă a temperaturii în compartimentele aparatului.

- 8. Curățați în mod regulat suprafețele care pot intra în contact cu alimentele și sistemele de drenaj accesibile.
- 9. Curățați rezervoarele de apă dacă nu au fost folosite timp de 48 de ore; spălați sistemul de apă conectat la o sursă de apă dacă apa nu a fost aspirată timp de 5 zile.
- 10. Păstrați carnea și peștele crude în recipiente adecvate în frigider, astfel încât să nu fie în contact sau să se scurgă pe alte alimente.
- 11. Dacă aparatul frigorific este lăsat gol pentru perioade lungi de timp, opriți, dezghețați, curățați, uscați și lăsați ușa deschisă pentru a preveni formarea mucegaiului în aparat.

ELIMINAREA

Unitățile vechi au încă o valoare reziduală. O metodă de eliminare ecologică va asigura recuperarea și utilizarea din nou a materiilor prime valoroase. Refrigerantul utilizat în unitatea dvs. și materialele de izolare necesită proceduri speciale de eliminare. Asigurați-vă că niciuna dintre conductele de pe spatele unității nu este deteriorată înainte de eliminare. Informații actualizate cu privire la opțiunile de eliminare a vechii unități și a ambalajelor din nou pot fi obținute de la biroul local al consiliului local. Când aruncați o unitate veche, scoateți încuietorile sau zăbrele vechi și îndepărtați ușa ca protecție.

Eliminarea corectă a aparatului	
	<p>Eliminarea corectă a acestui produs</p> <p>Acest marcaj indică faptul că acest produs nu trebuie aruncat cu alte deșeuri menajere din întreaga UE. Pentru a preveni posibile daune aduse mediului sau sănătății umane din eliminarea necontrolată a deșeurilor, reciclați-l în mod responsabil pentru a promova reutilizarea durabilă a resurselor materiale. Pentru a returna dispozitivul folosit, vă rugăm să utilizați sistemele de retur și colectare sau să contactați retailerul de unde a fost achiziționat produsul. Aceștia pot lua acest produs pentru reciclare în condiții de siguranță pentru mediu.</p>

Pentru mai multe informații, vă rugăm să contactați autoritatea locală sau distribuitorul dvs. de unde ați achiziționat produsul.

Tabelul 1 Clase de climatice

Clasă	Simbol	Interval de temperatură ambientală ° C
Temperat extinsă	SN	+10 to +32
Temperat	N	+ 16 to +32
Subtropicală	ST	+16 to + 38
Tropicală	T	+ 16 to + 43

Temperat extins: „acest aparat frigorific este destinat să fie utilizat la temperaturi ambientale cuprinse între 10 ° C și 32 ° C”;
 Temperat: „acest aparat frigorific este destinat utilizării la temperaturi ambientale cuprinse între 16 ° C și 32 ° C”;
 Subtropical: „acest aparat frigorific este destinat utilizării la temperaturi ambientale cuprinse între 16 ° C și 38 ° C”;
 Tropical: „acest aparat frigorific este destinat utilizării la temperaturi ambientale cuprinse între 16 ° C și 43 ° C”;

OPOZORILA GLEDE VARNOSTI



Opozorilo: tveganje požara/vnetljive snovi

- Ta gospodinjski aparat je predviden za uporabo v gospodinjstvu in temu podobnih okoljih, kot so kuhinje za osebe v trgovinah, pisarnah in drugih delovnih okoljih, kmetije ter hoteli, moteli in nastanitve drugih vrst, v katerih je ta aparat na voljo gostom, nastanitve z nočitvijo in zajtrkom ter catering in podobni načini uporabe, ki niso namenjeni prodaji.
- Ta aparat ni namenjen osebam (vključno z otroki) s telesnimi, senzoričnimi ali duševnimi okvarami ali pa osebam brez izkušenj in znanja, razen če so pod nadzorom osebe, ki je odgovorna za njihovo varnost, ali pa jim je ta oseba podala navodila za uporabo aparata.
- Da se otroci zagotovo ne bodo igrali z aparatom, jih je treba nadzorovati.
- Če je napajalni kabel poškodovan, ga mora zaradi preprečevanja nevarnosti zamenjati proizvajalec, proizvajalčev pooblaščen servisier ali podobno usposobljena oseba.
- V tem gospodinjskem aparatu ne shranjujte eksplozivnih snovi, kot so aerosolne pločevinke z vnetljivim potisnim plinom.
- Ko uporabnik neha uporabljati gospodinjski aparat in preden opravi njegovo vzdrževanje, ga mora odklopiti z napajanja.
- OPOZORILO: Poskrbite, da odprtine za prezračevanje v okrovu aparata ali v vgrajeni strukturi ne bodo zamašene.
- OPOZORILO: Odtaljevanja ne poskušajte pospeševati z mehanskimi napravami ali z drugimi sredstvi, razen s tistimi, ki jih priporoča proizvajalec.
- OPOZORILO: Ne poškodujte krogotoka hladilne tekočine.
- OPOZORILO: V predelkih za shranjevanje živil ne uporabljajte električnih naprav, razen če so takšne vrste, ki jo priporoča proizvajalec.
- OPOZORILO: Hladilnik odstranite v skladu z lokalnimi predpisi, saj so za njegovo delovanje uporabljeni vnetljivi eksplozivni plini in hladilna tekočina.
- OPOZORILO: Pri nameščanju aparata poskrbite, da napajalni kabel ne bo zagozden ali poškodovan.
- OPOZORILO: Na zadnji strani aparata ne nameščajte prenosnih električnih razdelilnikov z več vtičnicami ali prenosnih napajalnikov.
- Ne uporabljajte podaljševalnih kablov ali neozemljenih adapterjev (z dvema poloma).
- NEVARNOST: Obstaja tveganje za zaprtje otroka v notranjost aparata. Preden stari hladilnik ali zamrzovalno omaro odstranite:
 - Snemite vrata.
 - Police pustite znotraj aparata, tako da otroci ne bodo mogli zlahka splezati vanj.
- Preden poskušate namestiti dodatno opremo, morate hladilnik odklopiti z vira električnega napajanja.
- Hladilno sredstvo in penasta snov ciklopentan, ki se uporabljata pri aparatu, sta vnetljiva. Zato je treba pri uničevanju poskrbeti, da aparat ni v bližini nobenega vira ognja in da ni odstranjen s sežiganjem, ampak ga predela posebno podjetje za predelavo, ki ima ustrezne kvalifikacije, tako da ne pride škode za okolje ali kakršne koli druge škode.
- Pri standardu EN: Ta aparat lahko uporabljajo otroci, stari 8 in več let, ter osebe s telesnimi, senzoričnimi ali duševnimi okvarami ali pa osebe brez izkušenj in znanja, če so pod nadzorom ali pa so jim bila podana navodila za varno uporabo aparata in če razumejo nevarnosti, povezane z njegovo uporabo. Otroci se z aparatom ne smejo igrati. Brez nadzora otroci aparata ne smejo čistiti in ga vzdrževati. Otrokom, starim od 3 do 8 let, je v hladilne naprave dovoljeno dajati živila in jih jemati iz njega.
- Da preprečite onesnaženje živil, upoštevajte naslednja navodila:
 - Če vrata dlje časa pustite odprta, se temperatura v predelkih aparata lahko precej zviša.
 - Redno čistite površine, ki so v stiku z živili, in dostopne odvodne sisteme.
 - Če posod za vodo 48 ur niste uporabljali, jih očistite; če iz aparata 5 dni niste jemali vode, sperite sistem za vodo, priključen na dovod vode. (Opomba 1)
 - Surovo meso in ribe v hladilniku shranjujte v primernih posodah, tako da ta živila ne pridejo v stik z drugimi ali da z njih ne kaplja na druga živila.
 - Predelki za zamrznjena živila, označeni z dvema zvezdicama ****** so primerni za shranjevanje predhodno zamrznjenih živil, shranjevanje ali izdelovanje sladoleada in izdelovanje ledenih kock. (Opomba 2)
 - Predelki, označeni z eno *****, dvema ******, tremi ******* - in štirimi zvezdicami ********, niso primerni za zamrzovanje svežih živil. (Opomba 3)
 - Če je bil hladilni aparat dlje časa prazen, ga izklopite, odtalite, očistite in osušite, nato pa vrata pustite odprta, da preprečite nastajanje plesni v aparatu.
 - Pri aparatih brez predelka s 4 zvezdicami ta hladilni aparat ni primeren za zamrzovanje živil. (Opomba 4)

Opomba 1, 2, 3,4:Preverite, ali se nanaša na vrsto predelka v vašem izdelku.

- Pri prostostoječem aparatu: ta hladilni aparat ni namenjen temu, da bi bil uporabljen kot vgradni aparat.
- Predvideno je, da kakršno koli zamenjavo ali vzdrževanje sijalk LED izvede proizvajalec, njegov servisni zastopnik ali podobno usposobljena oseba. Razred energijske učinkovitosti sijalke je G.

POSTAVITEV

Mesto postavitve

Pri izbiri mesta postavitve vaše naprave se prepričajte, da je podlaga ravna in čvrsta in da je prostor dobro prezračevan. Naprave ne postavljajte v bližini virov toplote, kot so štedilnik, bojler ali radiator. Prav tako se izogibajte direktnemu izpostavljanju sončnim žarkom, saj lahko to povzroči povečano porabo električne energije. Izjemno nizke sobne temperature prav tako lahko povzročijo slabo delovanje

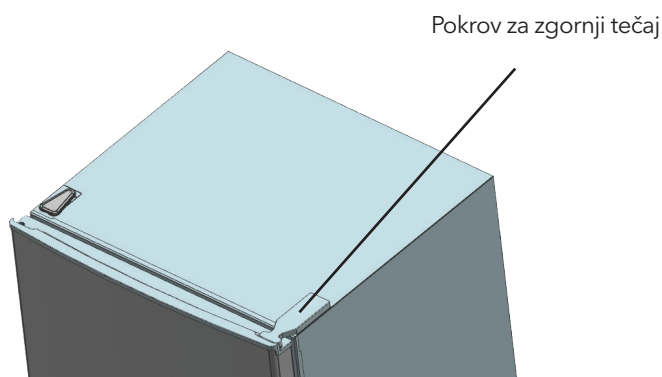
naprave. Ta naprava ni namenjena za postavitve v garažah ali na prostem. Naprave ne prekrivajte.

Pri postavljanju naprave preverite, da na obeh straneh in zadaj ostane razmak 10 cm, na zgornji strani pa 30 cm do naslednjega predmeta. Na ta način omogočite kroženje hladnega zraka okoli vitrine za vino in povečate učinkovitost hlajenja.

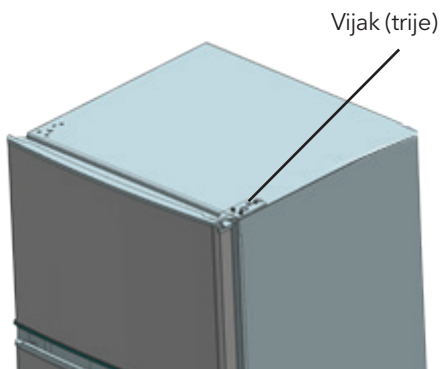
Sprememba smeri odpiranja vrat (opcija)

Potrebno orodje: Križni izvijač / ploščati izvijač / šesterkotni ključ

1. Odstranite pokrov z zgornjega tečaja.

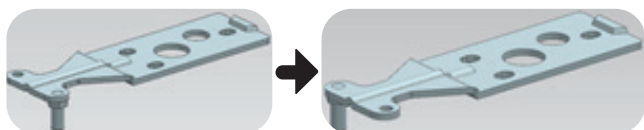


2. S križnim izvijačem odvijte vijake, s katerim je pritrjen zgornji tečaj.

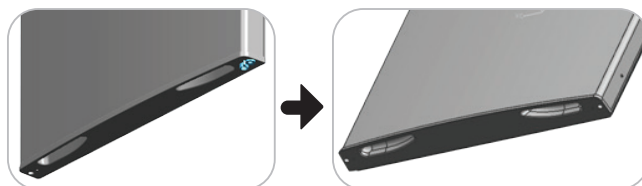


3. Prestavite zgornji tečaj in zgornji naslon vrat ter nosilec vrat na drugo stran.

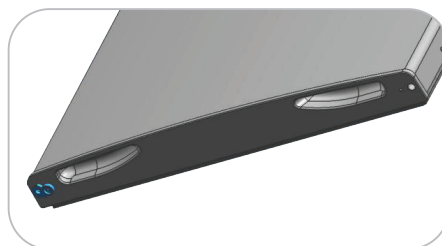
A. Skupaj z nosilcem snemite tudi matico. Snemite podložko, prestavite osi na drugo stran in jih pritrdite.



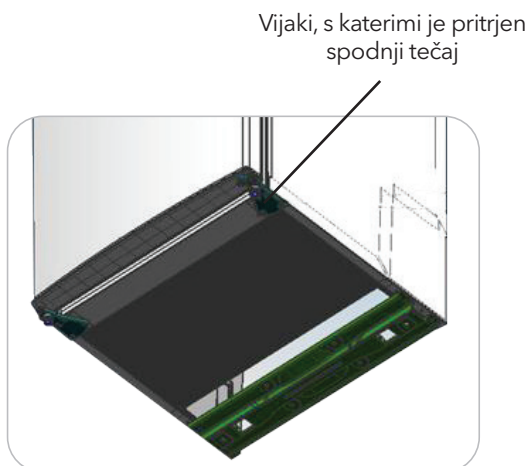
B. Snemite naslon vrat



C. Prosimo pripravite drugi naslon vrat in ga z vijaki pritrdite na vrata.

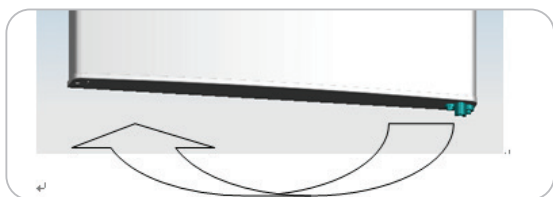


4. S pomočjo križnega izvijača snemite vijake, s katerimi je pritrjena spodnja os.

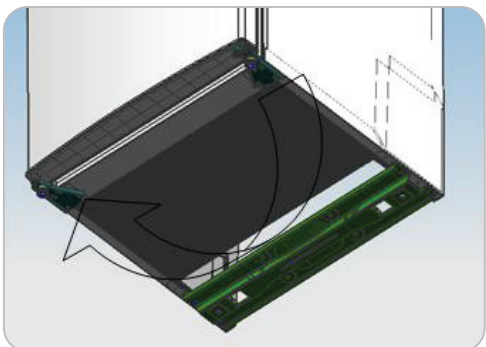


Opomba: Kot nagibanja hladilnika-zamrzovalnika mora biti manjši od 45°.

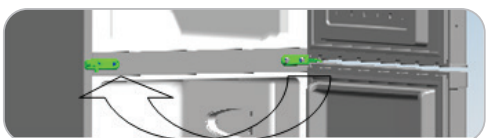
5. Zamenjajte stran spodnjega nosilca vrat in naslona.



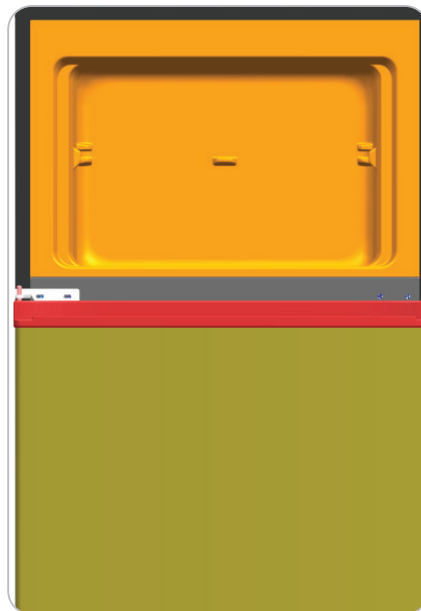
6. Prestavite spodnji tečaj na drugo stran in ga pritrdite z vijaki.



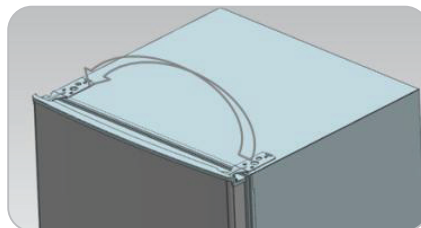
7. Premestite srednji tečaj.



8. Postavite spodnja vrata v ustrezen položaj in pritrdite sredni tečaj.



9. Prestavite zgornji tečaj.



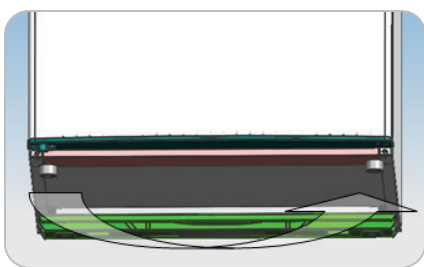
10. Naravnajte zgornji desno položaj vrat, pritrdite zgornji tečaj in pokrov.



11. Namestite štiri kapice za vijake in dva zapaha na ustrezna mesta.

- Preverite, da je naprava odklopljena od električnega omrežja in prazna.
- Dve nožici za poravnavanje nastavite na najvišji položaj.
- Priporočamo, da tega ne počenjate sami.

12. Prestavite vodno tehtnico na drugo stran in nastavite nožice tako, da bo naprava stala povsem vodoravno.

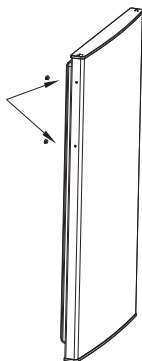


Zgornja slika je prikazana izključno v pojasnjevalne namene. Dejanska konfiguracija bo odvisna od same naprave ali izjave distributerja.

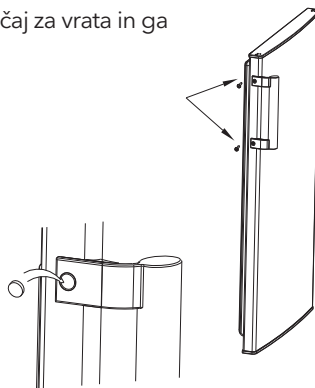
Postavljanje ročice za vrata (opcija)

Opomba: Vse slike v tem navodilu za uporabo so prikazane izključno v pojasnjevalne namene. Dejanski proizvod se lahko nekoliko razlikuje. Preden poskušate namestiti dodatne elemente, morate hladilnik odklopiti od električnega omrežja.

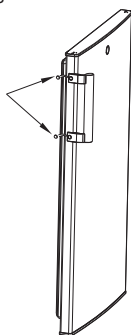
Korak 1: izvlecite oba čepa iz vrat (Bočna stran vrat, ki se odpira)



Korak 2: Na vrata postavite ročaj za vrata in ga pritrdite z vijaki.



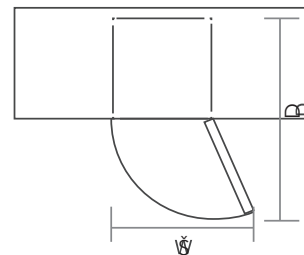
Korak 3: Odprtine za vijake na ročici pokrijte s kapicami za vijake.



Zgornja slika je prikazana izključno v pojasnjevalne namene. Dejanska konfiguracija bo odvisna od same naprave ali izjave distributerja.

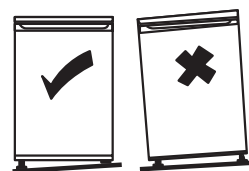
Potreben prostor za vrata

Pustiti morate dovolj prostora za popolno odpiranje vrat naprave, kot je prikazano na sliki. $\dot{S} \times D \geq 902 \times 1052 \text{ mm}$



Poravnavanje naprave

Se izvede z nastavljanjem dveh poravnalnih nožic, ki se nahajajo na sprednji strani naprave. Če naprava ni poravnana, vrata in magnetno tesnilo ne bosta pravilno nalegala. Pred uporabo preverite, da se nožice dotikajo podlage. Gledano od zgoraj, obračajte nožico v smeri kazalca na uri za njeno odvijanje ali v obratni smeri za njeno privijanje.



Čiščenje pred uporabo

Notranjost naprave obrišite z blago raztopino sode bikarbone. Potem jo izperite s toplo vodo na pomivalni gobici ali krpi, ki jo lahko izcedite. Police in predal za solate umijte s toplo vodo in milnico ter jih pred ponovnim vstavljanjem v napravo povsem posušite. Zunanji del naprave obrišite z vlažno krpo. Če potrebujete več informacij, pogledajte »Čiščenje«.

Pred uporabo naprave

Za zagotavljanje varnosti med uporabo naprave ne smete nikoli poškodovati električnega napajalnega kabla, če pa je ta poškodovan ali vtič obrabljen, pa naprave ne smete uporabljati. Zaradi preprečevanja poškodb proizvoda ali nastanka požara nanj ne postavljate vnetljivih, eksplozivnih in hlapljivih ali korozivnih snovi. Zaradi preprečevanja požara v bližino hladilnika ne postavljajte vnetljivih predmetov. Ta proizvod je hladilnik, ki je namenjen uporabi v gospodinjstvu in je primeren izključno samo za čuvanje hrane. V skladu z nacionalnimi standardi se hladilniki za uporabo v gospodinjstvu ne smejo uporabljati v druge namene, kot so skladiščenje krvi, zdravil ali bioloških proizvodov. V zamrzovalnik ne vstavljajte predmetov, kot so ustekleničene tekočine ali tekočine v zaprtih posodah, kot so pločevinke piva in pijač, da se izognete njihovemu počenju in drugi škodi. Preden v svojo napravo postavite kakršnokoli hrano, ga vklopite in počakajte 24 ur, da se prepričate o njegovem pravilnem delovanju in da mu omogočite znižanje temperature na ustrezne vrednosti. Naprave ni primerno preveč napolniti.



• Pred priključkom na električno omrežje

Preverite, da vtičnica ustreza vtiču, ki je dobavljen z napravo.

• Pred vklopom naprave!

Po prenosu naprave počakajte vsaj dve uri, preden jo vklopite.

Elementi notranje opreme

Vaša naprava vsebuje različne steklene in plastične odlagalne police - kombinacije se razlikujejo glede na model.

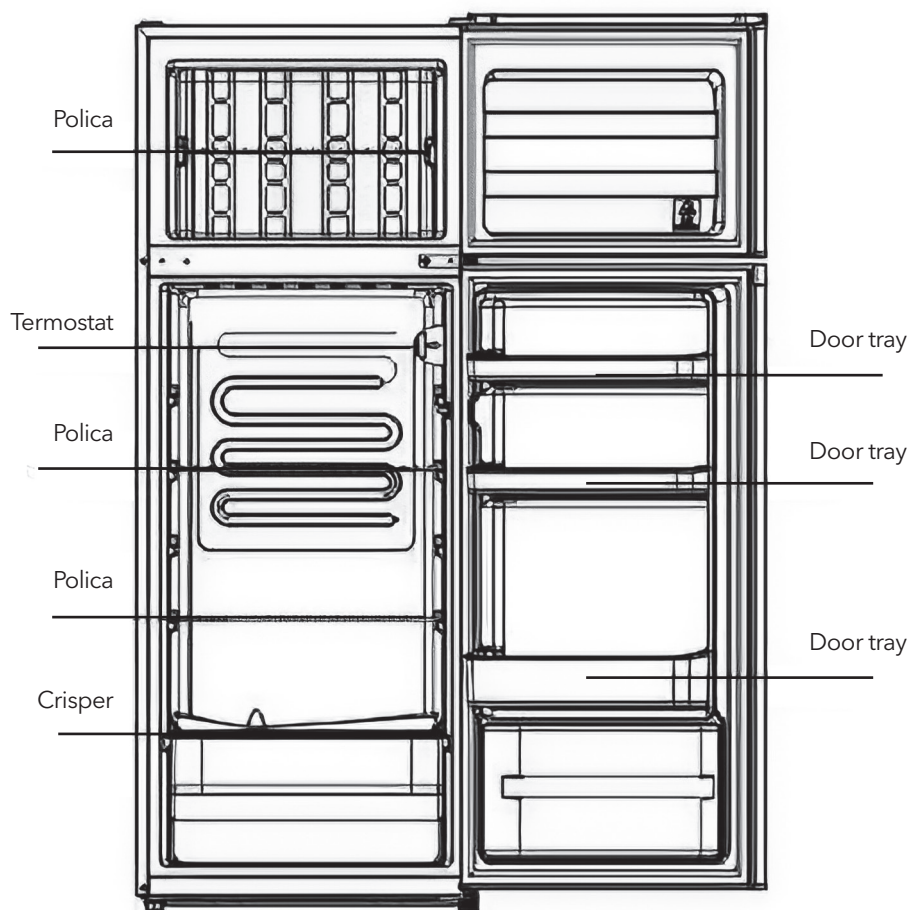
Eno od polic naprave, ki pokriva celotno površino naprave, morate vedno z drsnim gibom vstaviti v najnižja vodila nad oddelkom za sadje in zelenjavo ter jo tam pustiti. To storite tako, da odlagalno polico povlečete naprej v položaj, ki omogoča njen dvig ali spust in odstranitev.

Za postavljanje police na druge višine postopajte, kot je navedeno zgoraj, le v obratnem vrstnem redu.



Za kar največji izkoristek prostornine oddelka za hranjenje sveže ali oddelka za hranjenje zamrznjene hrane lahko odstranite eno ali več polic in predalov iz naprave v skladu s svojimi vsakdanjimi potrebami.

PRIKAZ PROIZVODA



Predali, škatle za živila, police itd. so najbolj energijsko učinkoviti takrat, ko so nameščeni, kot prikazuje zgornja slika.

*Zgornja slika je prikazana izključno v pojasnjevalne namene. Dejanska konfiguracija bo odvisna od same naprave ali izjave distributerja.

DELOVANJE NAPRAVE

Vklop naprave

Nastavitev na »Izklopljeno« (Off): Naprava je izklopljena.

Nastavitev na »Min«: Manjša moč hlajenja

Nastavitev na »Med« ali »MID«: Normalno delovanje (primerno za večino situacij)

Nastavitev na »Max«: Najmočnejše hlajenje

- Pri visokih temperaturah okolja, na primer v vročih poletnih dneh, je lahko potrebno nastaviti termostat na najmočnejše hlajenje (Položaj „**Max**“). To lahko povzroči neprekinjeno delovanje kompresorja zaradi vzdrževanja nizke temperature v napravi.
- Pri prvi postavitvi hladilnika nastavite gumb termostata na »Med«. Preden začnete vstavljati hrano počakajte, da se hladilnik povsem ohladi. Pred vstavljanjem hrane je najbolje počakati 24 ur po vklopu hladilnika. Z gumbom termostata krmilite temperaturo. Če je krmilni gumb termostata nastavljen na IZKLOPLJENO (OFF), hladilnik ne bo delal.

Hrup v napravi!

Mogoče boste opazili, da vaša naprava proizvaja nenavadne zvoke. Večina navedenih zvokov je povsem običajna, a se jih morate zavedati!

Zvoki nastajajo zaradi kroženja hladilnega sredstva v sistemu hlajenja. To je postalo bolj izrazito po uvedbi plinov, ki ne

vsebujejo klorofluorogljikove diokside (CFC). To ne predstavlja napake in ne bo vplivalo na delovanje vaše naprave. Gre za zvok delovanja motorja kompresorja med črpanjem hladilnega sredstva skozi sistem.

Nasveti za shranjevanje živil v napravi

- Toplotno obdelano meso/ribe morate vedno odlagati na polico nad surovim mesom/ribami, da se izognete prenosu bakterij. Surovo meso/ribe shranjujte v posodi, ki je dovolj velika za zadrževanje sokov mesa in jo ustrezno zaprite. Posodo postavite na najnižjo polico.
- Med posameznimi živili pustite prazen prostor, da lahko hladen zrak kroži znotraj naprave. Preverite, da so ohlajeni vsi deli naprave.
- Živila pakirajte ali pokrivajte posamično, da preprečite prenos vonja in sušenje. Sadja in zelenjave ni potrebno zavijati.
- Toplotno obdelano hrano vedno povsem ohladite, preden jo vstavite v napravo. Na ta način pomagata vzdrževati notranjo temperaturo naprave.
- Zaradi preprečevanja iztekanja hladnega zraka iz naprave poskušajte omejiti število odpiranj vrat naprave. Priporočamo, da vrata odpirate samo, če morate hrano dati v napravo ali jo vzeti iz nje.

Zamenjava žarnice

Zamenjavo žarnice mora opraviti strokovna oseba.

ČIŠČENJE

Odtajanje

UPOŠTEVAJTE, DA TA NAPRAVA NIMA AVTOMATSKEGA SISTEMA ZA ODTAJANJE.

Ivje na uparjalniku čistite s plastičnim strgalom za led. Ne uporabljajte ostrih kovinskih predmetov.

Čiščenje notranjosti in zunanosti enote

- Za večji učinek hlajenja in varčevanje z energijo je treba prah za zamrzovalno omaro in na tleh redno čistiti.
- Redno preverjajte tesnilo na vratih, da se na njem ne bo nabirala umazanija. Tesnilo na vratih očistite z mehko krpo, namočeno v milnico ali razredčeni detergent. Obrišite z mehko krpo ali pa pustite, da se posuši na zraku.
- Zunanjo površino hladilnika očistite z mehko krpo, namočeno v milnico, detergent itd., nato pa jo obrišite do suhega.
- Ne uporabljajte trdih krtač, jeklenih gobic za čiščenje, žičnih krtač, abrazivnih sredstev (kot je zobna pasta), organskih topil (kot je alkohol, aceton, bananino olje itd.), vrele vode ali pa kislinskih ali alkalnih sredstev, ki lahko poškodujejo površino in notranjost hladilnika. Z vrelo vodo in organskimi topili, kot je benzen, se plastični deli lahko deformirajo ali poškodujejo.
- Med čiščenjem ne izplakujte neposredno z vodo ali drugimi tekočinami, da preprečite kratke stike ali poškodbe električne izolacije, ki bi nastale med prelitjem z vodo.
- Da preprečite neprijetne vonjave, morate redno čistiti tudi notranjost hladilnika.
- Pred čiščenjem notranjosti izklopite napajanje ter odstranite vsa živila, pijače, police, predale itd.
- Notranjost hladilnika očistite z mehko krpo ali gobo, namočeno v mešanico dveh čajnih žličk sode bikarbone in četrta litra tople vode. Nato izplaknite z vodo in do čistega obrišite. Po čiščenju odprite vrata in pustite, da se notranjost osuši na zraku, preden znova vklopite napajanje.
- Območja, ki jih je težko očistiti (ozke prostore, reže ali kote), je priporočljivo redno brisati z mehko krpo, mehko krtačko itd., po potrebi pa z dodatnimi pripomočki (kot so tanke paličice), da se v njih ne bodo nabirala onesnaževala ali bakterije.

- Ne uporabljajte mil, detergentov, abrazivnih praškov za čiščenje, sredstev za čiščenje v obliki razpršila, saj lahko v notranjosti hladilnika pustijo neprijetne vonjave ali onesnažijo živila.
- Držalo za steklenice, police in predale očistite z mehko krpo, namočeno v milnico ali razredčeni detergent. Obrišite z mehko krpo ali pa pustite, da se posuši na zraku.
- Zunanjo površino hladilnika očistite z mehko krpo, namočeno v milnico, detergent itd., nato pa jo obrišite do suhega.
- Ne uporabljajte trdih krtač, jeklenih gobic za čiščenje, žičnih krtač, abrazivnih sredstev (kot je zobna pasta), organskih topil (kot je alkohol, aceton, bananino olje itd.), vrele vode ali pa kislinskih ali alkalnih sredstev, ki lahko poškodujejo površino in notranjost hladilnika. Z vrelo vodo in organskimi topili, kot je benzen, se plastični deli lahko deformirajo ali poškodujejo.
- Med čiščenjem ne izplakujte neposredno z vodo ali drugimi tekočinami, da preprečite kratke stike ali poškodbe električne izolacije, ki bi nastale med prelitjem z vodo.

Nasveti za čiščenje

Na zunanji površini naprave lahko pride do nastajanja kondenzata. Razlog za to je lahko sprememba sobne temperature. Vlažne dele obrišite. Če se ta problem ponavlja, se posvetujte z ustreznim tehničnim strokovnjakom.

VZDRŽEVANJE

Zamenjava notranje osvetlitve

Zamenjavo žarnice mora opraviti strokovna oseba.

Previdnost pri rokovanju / prenašanju vaše naprave

Pri prenašanju napravo držite okoli bočnih strani ali za podstavek. Naprave pod nobenimi pogoji ne smete dvigovati tako, da ga držite za robove zgornje površine.

Servisiranje

Servisiranje naprave mora izvajati pooblaščen serviser, ki pri

tem uporablja izključno originalne rezervne dele. Naprave pod nobenimi pogoji nikoli ne poskušajte popravljati sami. Popravila s strani neizkušenih oseb lahko povzročijo poškodbe oseb ali resno okvaro naprave. Povežite se z usposobljenim strokovnjakom.

Izklapljanje naprave za daljše časovno obdobje

Če naprave dalj časa ne uporabljate, jo odklopite iz električnega omrežja, odstranite živila in napravo očistite, vrata pa pustite nekoliko priprta, da preprečite nastanek neprijetnih vonjav.

ODPRAVA NAPAK

Uporabnik lahko sam odpravi enostavne napake, ki so naštet v nadaljevanju. V kolikor napake ne morete odpraviti, pokličite sektor za vzdrževalne storitve.

Naprava ne dela.	Preverite, da je hladilnik priključen na električno napetost; Prenizka napetost; Izpad napetosti ali prekinitev varovalke.
Vonjave	Hrano, ki oddaja močnejše vonjave, morate dobro zaviti; Preverite, ali se je hrana pokvarila; Preverite, ali je potrebno očistiti notranjost naprave.
Dolgotrajno delovanje kompresorja	Normalno je, da hladilnik poleti deluje dalj časa, kadar je sobna temperatura višja; Ne vstavljajte v hladilnik preveč hrane naenkrat; Ne vstavljajte hrane v napravo, dokler se ne ohladi; Pogosto odpiranje vrat hladilnika.
Lučka ne sveti.	Preverite, da je hladilnik priključen na električno omrežje; Preglejte žarnico na poškodbe.
Vrata hladilnika se ne zapirajo pravilno.	Embalaža z živili blokira vrata zamrzovalnika; Prevelika količina hrane; Hladilnik je nagnjen.
Glasni zvoki.	Preverite ali so živila poravnana in ali hladilnik stoji vodoravno; Preverite, ali so deli hladilnika vstavljeni na pravilen način.

Nasveti

- Med delovanjem, še posebej med poletnimi meseci lahko ohišje hladilnika oddaja toploto zaradi toplotnega sevanja kondenzatorja, kar je običajen pojav.
- Kondenzat bo nastajal na zunanjih površinah in tesnilih na vratih zamrzovalnika pri visoki relativni vlažnosti zraka v prostoru. Gre za običajen pojav, kondenzat lahko obrišete s suho krpo.
- Brenčanje: Med delovanjem bo kompresor zabrenčal, še posebej pri vklopu in izklopu.

NASVETI ZA VARČEVANJE Z ENERGIJO

Opozorilo glede energije

1. Če so hladilni aparati dlje časa v območju s temperaturo, ki je nižja od tiste, za katero so bili zasnovani, lahko začnejo delovati nedosledno (obstaja možnost odtaljevanja vsebine ali previsoke temperature v predelku za zamrznjena živila).
2. V predelkih ali komorah zamrzovalnika živil ali v predelkih ali komorah z nizko temperaturo ne smete shranjevati gaziranih pijač, določenih proizvodov, kot so ledene kocke, pa ne smete uživati, ko so še premrzli.
3. Pri vseh živilih, zlasti pa pri komercialnih živilih, hitro zamrznjenih v zamrzovalniku za živila in v predelkih ali komorah za shranjevanje zamrznjenih živil, se je treba držati rokov shranjevanja, ki jih priporočajo proizvajalci živil.
4. Da pri odtaljevanju hladilnega aparata preprečite pretirano segrevanje zamrznjenih živil, morate izvesti previdnostne ukrepe, kot je zavijanje zamrznjenih živil v več plasti časopisnega papirja.
5. Treba je upoštevati dejstvo, da se zaradi segrevanja


- zamrznjenih živil med ročnim odtaljevanjem, vzdrževanjem ali čiščenjem rok shranjevanja lahko skrajša.
- Pri vratih ali pokrovih, na katerih so nameščene ključavnice s ključi, je treba poskrbeti, da ključi ne bodo na dosegu otrok in da ne bodo v bližini hladilnega aparata, tako da se otroci ne bodo mogli zakleniti vanj.
 - Če vrata dlje časa pustite odprta, se temperatura v predelkih aparata lahko precej zviša.
 - Redno čistite površine, ki so v stiku z živili, in dostopne

- odvodne sisteme. Če posod za vodo 48 ur niste uporabljali, jih očistite; če iz aparata 5 dni niste jemali vode, sperite sistem za vodo, priključen na dovod vode.
- Surovo meso in ribe v hladilniku shranjujte v primernih posodah, tako da ta živila ne pridejo v stik z drugimi ali da z njih ne kaplja na druga živila.
 - Če je bil hladilni aparat dlje časa prazen, ga izklopite, odtalite, očistite in osušite, nato pa vrata pustite odprta, da preprečite nastajanje plesni v aparatu.

ODSTRANJEVANJE

Stare naprave imajo določeno preostalo vrednost. Uporabite način odstranjevanja, s katerim se varuje življenjsko okolje in pri katerem se lahko reciklirajo in ponovno uporabijo dragocene surovine. V vaši napravi uporabljena hladilna sredstva in izolacijski materiali zahtevajo uporabo posebnih postopkov za odstranjevanje. Pred oddajo se prepričajte, da nobena cev na zadnjem delu naprave ni poškodovana. Posodobljene podatke o možnostih odstranitve vaše stare naprave in embalaže nove naprave lahko dobite v pisarnah vaših lokalnih oblasti.

Pred oddajo stare naprave odlomit vse stare ključavnice ali zapaha in iz previdnosti snemite vrata.

Pravilno odstranjevanje tega proizvoda	
	<p>Pravilno odstranjevanje tega proizvoda</p> <p>Ta oznaka prikazuje, da tega proizvoda v EU ne smete odstraniti v odpadke iz gospodinjstva. Zaradi preprečitve morebitne škode za življenjsko okolje in zdravje ljudi, ki bi lahko nastala zaradi nenadzorovanega odlaganja odpadkov, napravo reciklirajte in s tem podprite trajnostno ponovno uporabo materialnih virov. Prosimo, da vašo nerabno napravo predate v sistem za vračanje in zbiranje odpadkov ali pa se povežite s prodajalno, kjer ste napravo kupili. Na ta način se lahko proizvod reciklira na neškodljiv način za življenjsko okolje.</p>

Za dodatne informacije stopite v stik s svojimi lokalnimi oblastmi ali prodajalno, v kateri ste kupili proizvod.

Tabela 1 Klimatski razredi




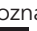

Razred	Simbol	Razpon sobne temperature °C
Subnormalni	SN	+10 to +32
Normalni	N	+ 16 to +32
Subtropski	ST	+16 to + 38
Tropski	T	+ 16 to + 43

Razširjeni zmerni podnebni pas: ta hladilni aparat je namenjen uporabi pri temperaturah okolja od 10 °C do 32 °C;
 zmerni podnebni pas: ta hladilni aparat je namenjen uporabi pri temperaturah okolja od 16 °C do 32 °C;
 subtropski podnebni pas: ta hladilni aparat je namenjen uporabi pri temperaturah okolja od 16 °C do 38 °C;
 tropski podnebni pas: ta hladilni aparat je namenjen uporabi pri temperaturah okolja od 16 °C do 43 °C.

BEZBEDNOSNA UPOZORENJA



Upozorenje: rizik od požara / zapaljivi materijali

- OVAJ uređaj je namenjen za upotrebu u domaćinstvima i sličnom okruženju poput kuhinja za osoblje u prodavnicama, kancelarijama i drugom radnom okruženju; poljoprivrednih domaćinstava i hotela, motela i ostalih objekata rezidencijalnog tipa, gde se stavlja na raspolaganje klijentima; objekata koji pružaju uslugu noćenja sa doručkom; kateringa i u slične neprodajne namene.
 - NIJE predviđeno da ovaj uređaj koriste osobe (uključujući decu) sa umanjnim fizičkim, senzornim ili mentalnim sposobnostima, ili sa nedostatkom iskustva i znanja, osim ukoliko su pod nadzorom osobe odgovorne za njihovu bezbednosti ili ukoliko im je pomenuta osoba pružila objašnjenje u vezi sa upotrebom uređaja.
 - Decu je potrebno nadgledati kako biste bili sigurni da se ne igraju uređajem.
 - UKOLIKO je kabl za napajanje oštećen, potrebno je da njegovu zamenu obavi proizvođač, njegov ovlašćeni serviser ili lica sa sličnim kvalifikacijama kako bi se izbegao nastanak opasnosti.
 - NEMOJTE držati eksplozivne supstance poput aerosol boca sa zapaljivim potisnim gasom u ovom uređaju.
 - UREĐAJ je potrebno iskopčati iz utičnice nakon upotrebe, a pre njegovog korisničkog održavanja.
 - UPOZORENJE: Povedite računa da ventilacioni otvori ne budu blokirani unutar ugradnog dela ili ugradne konstrukcije za uređaj.
 - UPOZORENJE: Ne upotrebljavajte mehanička sredstva ili druge postupke za ubrzavanje procesa otapanja, ukoliko nisu preporučeni od strane proizvođača.
 - UPOZORENJE: Ne oštećujte instalacije za rashladno sredstvo.
 - UPOZORENJE: Ne upotrebljavajte električne uređaje unutar odeljaka za držanje hrane ovog uređaja, osim ukoliko su u pitanju tipovi uređaja preporučeni od strane proizvođača.
 - UPOZORENJE: Frižider odložite u skladu sa lokalnim propisima jer se za njegov rad upotrebljavaju zapaljivi eksplozivni gas i rashladno sredstvo.
 - UPOZORENJE: Prilikom pozicioniranja uređaja, uverite se da kabl za napajanje nije pritisnut ili oštećen.
 - UPOZORENJE: Nemojte postavljati prenosive produžne kablove sa više utičnica ili prenosive akumulatore iza uređaja.
 - NE upotrebljavajte produžne kablove ili neuzemljene (sa dva kraka) adaptere.
 - OPASNOST: Rizik od zatvaranja dece unutar uređaja. Pre nego što odbacite svoj stari frižider ili zamrzivač:
 - Skinite vrata.
 - Ostavite police unutar uređaja kako deca ne bi mogla da se lako uvuku unutra.
 - PRE nego što se započne sa postupkom instalacije nekog pratećeg elementa, frižider je potrebno iskopčati sa izvora napajanja.
 - RASHLADNO sredstvo i penušavo sredstvo ciklopentan, koji se upotrebljavaju u okviru frižidera, su zapaljivi.
 - Stoga, prilikom odlaganja frižidera, držite ga dalje od izvora plamena i, umesto da ga odložite sagorevanjem, predajte ga nekoj od specijalizovanih kompanija za recikliranje sa odgovarajućim kvalifikacijama kako bi se omogućilo njegovo ponovno iskorišćenje, jer ćete na taj način sprečiti štetne efekte po životnu sredinu ili druge opasnosti.
 - ZA EN standard: Ovaj uređaj mogu upotrebljavati deca starosti od 8 ili više godina i osobe sa umanjnim fizičko-senzornim ili mentalnim sposobnostima ili nedostatkom iskustva i znanja ukoliko su pod nadzorom ili su upućeni u bezbedno korišćenje uređaja i shvataju opasnosti koje njegova upotreba nosi. Deca se ne smeju igrati uređajem. Deca ne smeju da obavljaju čišćenje i korisničko održavanje uređaja bez nadzora. Deca starosti od 3 do 8 godina mogu stavljati hranu u ili je uzimati iz uređaja za rashlađivanje.
 - KAKO biste izbegli kontaminiranje hrane, pridržavajte se sledećih uputstava:
 - Dugo držanje vrata uređaja otvorenim može da dovede do značajnog rasta temperature unutar odeljaka uređaja.
 - Redovno čistite površine koje mogu da dođu u dodir sa hranom, kao i pristupačne delove odvodnog sistema.
 - Očistite posude za vodu ukoliko ih niste koristili tokom vremenskog perioda od 48 h; ukoliko tokom vremenskog perioda od 5 dana niste uzimali vodu iz uređaja, isperite sistem za protok vode povezan na dovod vode. (napomena 1)
 - Sirovo meso i ribu unutar frižidera držite u
 - Odeljci za smrznutu hranu označeni dvema zvezdicama  pogodni su za držanje prethodno smrznute hrane, za držanje ili pravljenje sladoleda i za pravljenje kockica leda. (napomena 2)
 - Odeljci označeni jednom , dvema , trima  ili četirima  zvezdicama nisu pogodni za zamrzavanje sveže hrane. (napomena 3)
 - Ukoliko će uređaj za rashlađivanje biti prazan tokom dužeg vremenskog perioda, isključite ga, odledite, očistite i osušite, a zatim ostavite vrata uređaja otvorenim kako biste sprečili razvoj buđi u unutrašnjosti uređaja.
 - Kod uređaja koji nemaju odeljak označen četirima zvezdicama: ovaj uređaj za rashlađivanje nije pogodan za zamrzavanje namirnica. (napomena 4)
- Napomene 1, 2, 3, 4: Proverite da li su navedene informacije primenjive na tipove odeljaka Vašeg proizvoda.
- ZA samostojeće uređaje: nije predviđeno da se ovaj uređaj za rashlađivanje upotrebljava kao ugradni uređaj.
 - PREDVIĐENO je da svaki postupak zamene ili održavanja LED lampica obavlja proizvođač, njegov ovlašćeni serviser ili lica sa sličnim kvalifikacijama. Lampica pripada klasi G energetske efikasnosti.

INSTALACIJA

Lokacija

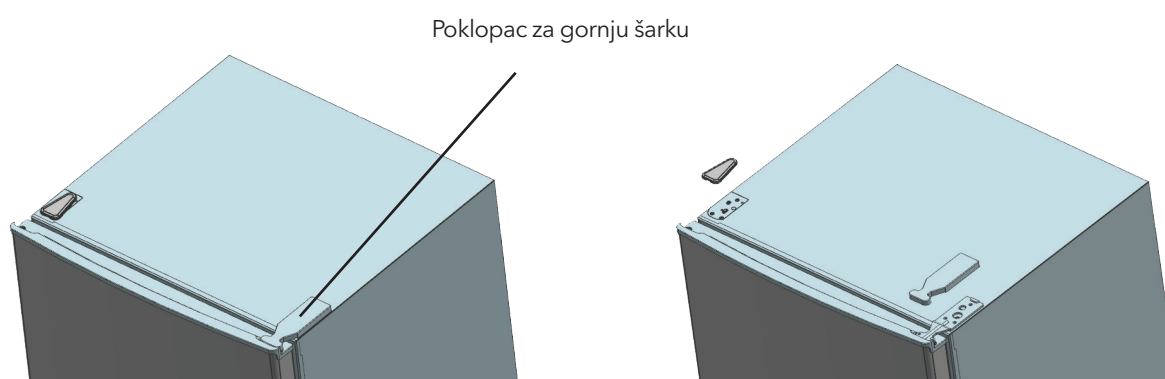
Prilikom izbora lokacije za Vaš uređaj, uverite se da je podloga ravna i čvrsta, kao i da je provetrenost u prostoriji dobra. Izbegavajte postavljanje uređaja u blizini izvora toplote, npr. šporeta, bojlera ili radijatora. Takođe, izbegavajte direktno izlaganje suncu, jer ovo može da dovede do povećane potrošnje električne energije. Izuzetno niske sobne temperature takođe mogu prouzrokovati loš rad uređaja.

Ovaj uređaj nije namenjen za upotrebu u garažama, kao ni za postavljanje na otvorenom. Ne prekrivajte uređaj. Prilikom postavljanja, proverite da li je sa obe strane uređaja ostavljen razmak širine 10 cm, kao i 10 cm od zadnje i 30 cm od gornje površine uređaja. Na ovaj način ćete omogućiti cirkulisanje hladnog vazduha oko vinske vitrine i poboljšati efikasnost postupka hlađenja.

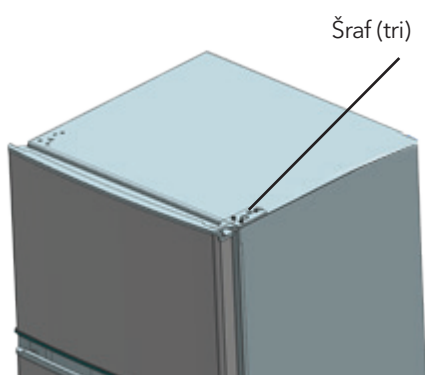
Promena smeru otvaranja vrata (opcionally)

Potreban alat: Krstasti odvijač / ravni odvijač / šestougaoni ključ

1. Uklonite poklopac sa gornje šarke.

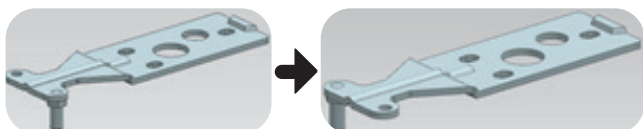


2. Pomoću krstastog odvijača, uklonite šrafove kojima je pričvršćena gornja šarka.

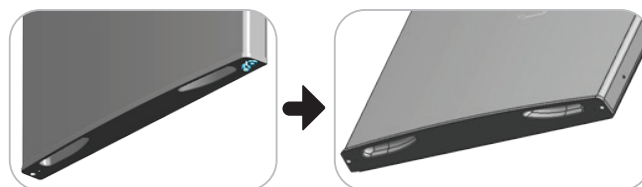


3. Premestite gornju šarku i gornji graničnik za vrata, kao i nosač vrata na drugu stranu.

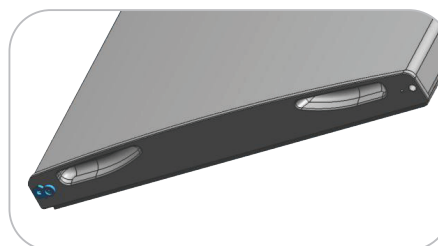
A. Uklonite navrtku zajedno sa nosačem. Skinite podlošku, a zatim premestite osovine na drugu stranu i pričvrstite ih.



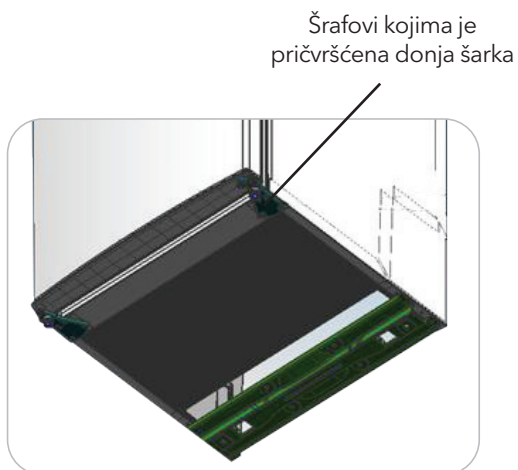
B. Skinite graničnik za vrata



C. Molimo Vas da pripremite drugi graničnik za vrata i da ga šrafova pričvrstite za vrata

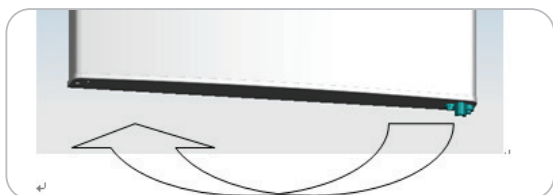


4. Skinite šrafove kojima je pričvršćena donja šarka pomoću krstastog odvijača.

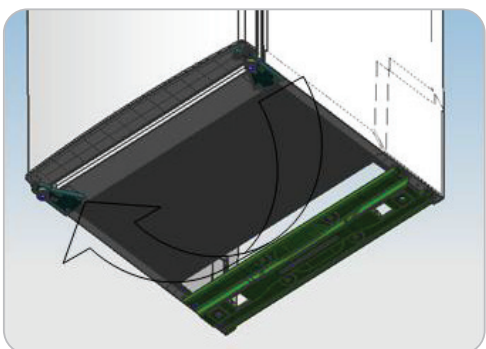


Napomena: ugao nagnjanja frižidera-zamrzivača je manje od 45°.

5. Promenite mesto donjem nosaču vrata i graničniku.



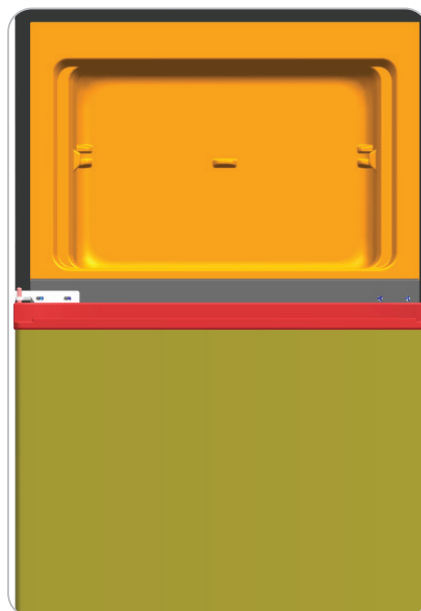
6. Premestite donju šarku na drugu stranu, a zatim je pričvrstite šrafovima.



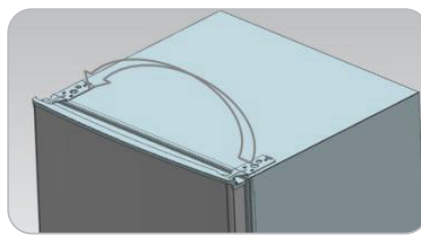
7. Premestite središnju šarku.



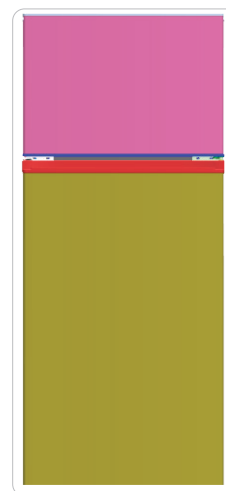
8. Postavite donja vrata u odgovarajuću poziciju i pričvrstite središnju šarku.



9. Premestite gornju šarku.

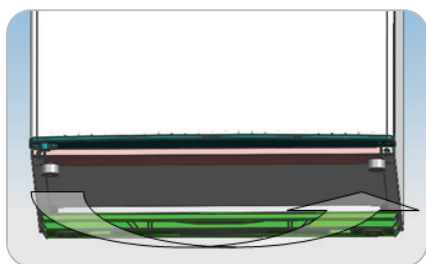


10. Podesite desnu gornju poziciju vrata, pričvrstite gornju šarku i poklopac.



11. Postavite četiri kapice za šrafove i dve reze na odgovarajuća mesta.
- Uverite se da je uređaj isključen iz struje i ispražnjen.
 - Dve nožice za nivelisanje podesite na najvišu poziciju.
 - Preporučujemo Vam da ovo ne radite sami.

12. Prebacite nivelator na drugu stranu i podesite ga tako da budete sigurni da je uređaj iznivelisan.

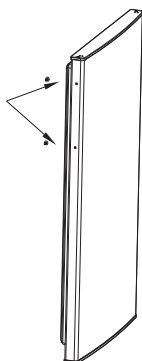


*Slika iznad je prikazana isključivo u ilustrativne svrhe. Realna konfiguracija zavisiće od samog uređaja ili izjave distributera

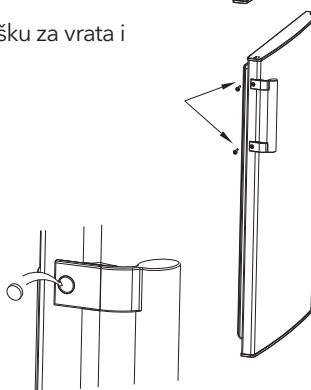
Postavljanje ručke za vrata (opcionarno)

Napomena: Slike u uputstvu za upotrebu prikazane su isključivo u ilustrativne svrhe. Realni proizvod se može donekle razlikovati. Pre nego to pokušate da instalirate neki prateći element, frižider morate isključiti iz struje.

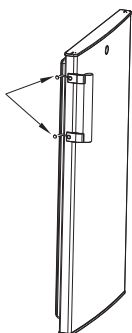
Korak 1: izvucite dva čepa iz vrata (Bočna strana vrata, koja se otvara)



Korak 2: Na vrata postavite dršku za vrata i pričvrstite je šrafovim



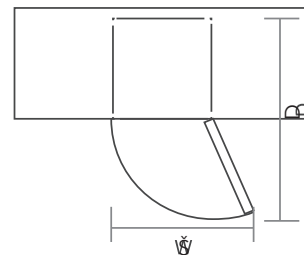
Korak 3: Otvore šrafova na ručki pokrijte kapicama za šrafove



*Slika iznad je prikazana isključivo u ilustrativne svrhe. Realna konfiguracija zavisiće od samog uređaja ili izjave distributera

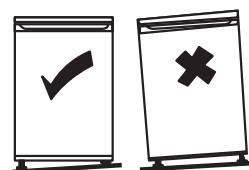
Potreban prostor za vrata

Potrebno je ostaviti dovoljno prostora za potpuno otvaranje vrata uređaja na način prikazan na slici. ŠxD≥902×1052 mm



Nivelisanje uređaja

Obavlja se podešavanjem dve nožice za nivelisanje, koje se nalaze na prednjoj strani uređaja. Ukoliko uređaj nije iznivelisan, vrata i magnetna zaptivka neće pravilno prijanjati. Pre upotrebe proverite da li nožica dodiruje podlogu. Gledano odozgo, okrećite u smeru kretanja kazaljke na satu ili u smeru suprotnom od kretanja kazaljke na satu radi otpuštanja ili zatezanja.



Čišćenje pre upotrebe

Unutrašnjost uređaja prebrišite slabim rastvorom sode bikarbone. Zatim isperite toplom vodom pomoću sundera ili krpe koju je moguće cediti. Police i odeljak za salate operite toplom vodom sa sapunicom i potpuno ih osušite pre ponovnog postavljanja u uređaj. Spoljašnji deo uređaja očistite vlažnom krpom. Ukoliko Vam je potrebno više informacija, pogledajte odeljak Čišćenje.

Pre upotrebe uređaja

Kako biste osigurali bezbednost prilikom upotrebe, ni pod kojim uslovima ne oštećujte kabl za napajanje i ne upotrebljavajte uređaj ukoliko je kabl za napajanje oštećen ili ukoliko je utikač istrošen.

Da biste sprečili oštećenja proizvoda ili pojavu požara, ne stavljajte u frižider zapaljive, eksplozivne i isparljive predmete, kao ni predmete koji lako korodiraju.

Da biste izbegli pojavu požara, ne stavljajte zapaljive predmete blizu frižidera.

Ovaj proizvod je frižider namenjen za upotrebu u domaćinstvima i pogodan je isključivo za čuvanje hrane.

Prema nacionalnim standardima, frižideri namenjeni za upotrebu u domaćinstvima se ne smeju koristiti ni u kakve druge svrhe, kao što su skladištenje krvi, lekova ili bioloških proizvoda.

Ne stavljajte u zamrzivač predmete kao što su flaširane tečnosti ili tečnosti u zaptivenim sudovima, poput flaširanih piva i pića, kako biste izbegli njihovo pucanje i drugu štetu. Pre nego što u svoj uređaj stavite bilo kakvu hranu, uključite ga i sačekajte 24 sata, kako biste bili sigurni da radi na odgovarajući način i kako biste mu ostavili dovoljno vremena da temperaturu spusti na odgovarajuće vrednosti. Uređaj ne treba prepunjavati.



• Pre povezivanja na struju

Morate proveriti da li imate utičnicu kompatibilnu sa utikačem dostavljenim uz uređaj.

•Pre nego što uključite uređaj!

Uređaj ne uključujte bar dva sata nakon njegovog prenošenja.

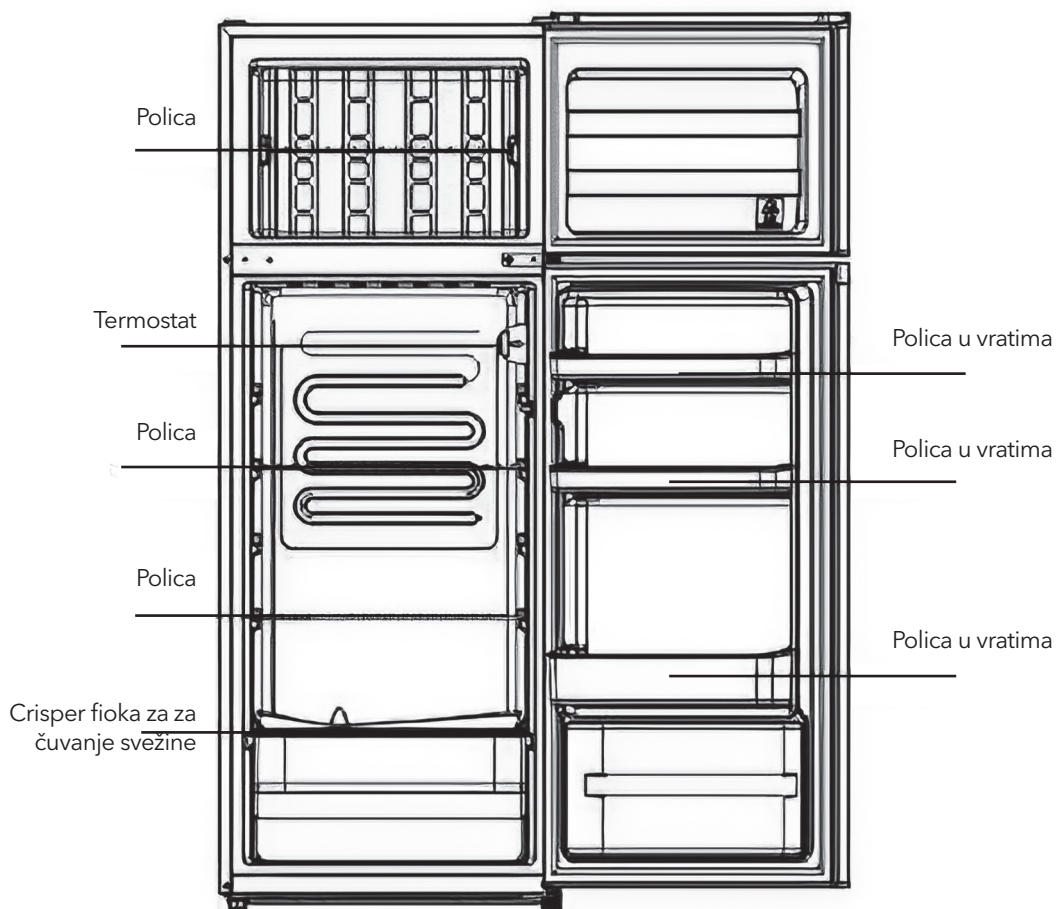
Unutrašnji prateći elementi

Jednu od staklenih polica za odlaganje, koja zahvata kompletnu površinu uređaja, treba uvek kliznim pokretom ubaciti u najniže vođice, iznad odeljaka za voće i povrće, i ostaviti je na tom mestu. Ovo uradite tako što ćete povući policu za odlaganje ka napred, do položaja u kome je moguće njeno rotiranje ka gore ili dole i uklanjanje. Da policu postavite na neku drugu visinu, pratite gore navedene korake, samo obrnutim redosledom.



Kako biste maksimalno iskoristili zapreminu odeljka za čuvanje sveže hrane i odeljka za čuvanje smrznute hrane, možete ukloniti jednu ili više polica i fioka iz uređaja, zavisno od Vaših svakodnevnih potreba.

PRIKAZ PROIZVODA



Raspored fioka, kutija za odlaganje hrane, polica itd. organizovan prema slici iznad u najvećoj meri doprinosi energetskej efikasnosti uređaja.

*Slika iznad je prikazana isključivo u ilustrativne svrhe. Realna konfiguracija zavisice od samog uređaja ili izjave distributera

RAD UREĐAJA

Uključivanje uređaja

Podšavanje "Isključeno" (Off): Uređaj je isključen

Podšavanje "Min": Manja jačina hlađenja

Podšavanje "Med" ili "MID"> Normalan rad (odgovara većini situacija)

Podšavanje "Max": Najjače hlađenje

- Pri visokim sobnim temperaturama, npr. tokom vreljih letnjih dana. Može biti potrebno da se termostat podesi na Najjače hlađenje (pozicija „Max“). Ovo za rezultat može imati neprekidan rad kompresora u cilju održavanja niske temperature u uređaju.
- Prilikom inicijalnog postavljanja frižidera, dugme termostata podesite na „Med“.
- Pre nego što počnete da ubacujete hranu, ostavite frižider da se potpuno ohladi. Najbolje je sačekati 24 sata pre stavljanja hrane u frižider. Dugmetom termostata se kontroliše temperatura. Ukoliko je dugme za kontrolu termostata podešeno na ISKLJUČENO (OFF), frižider neće raditi.

4.2 Buka unutar uređaja!

Možda ćete primetiti da Vaš uređaj pravi određene neobične zvuke. Većina pomenutih zvukova je savršeno normalna, ali je potrebno da ih budete svesni!

Zvukovi nastaju usled cirkulisanja tečnog rashladnog sredstva

unutar sistema za hlađenje. Ovo je postalo izraženije nakon uvođenja gasova koji ne sadrže hloroflorouglenike (HFU). Ovo ne predstavlja grešku i neće uticati na rad Vašeg uređaja. Radi se o zvuku rada motora kompresora tokom pumpanja rashladnog sredstva kroz sistem.

Saveti za čuvanje hrane u uređaju

- Termički obrađeno meso/ribu treba uvek odlagati na polici iznad sirovog mesa/ribe kako bi se izbeglo rasejavanje bakterija. Sirovo meso/ribu držite u posudi koja je dovoljno velika da zadrži sokove mesa i adekvatno je poklopite. Posudu stavite na najnižu полицu.
- Ostavite razmak između hrane kako biste omogućili cirkulisanje vazduha unutar uređaja. Uverite se da su svi delovi uređaja rashlađeni.
- Kako biste sprečili poprimanje mirisa i sušenje, hranu zasebno pakujte ili poklapajte. Voće i povrće nije potrebno uvijati.
- Hranu koja je prethodno termički obrađena uvek ostavite da se ohladi pre nego što je stavite u uređaj. Na ovaj način potpomažete održavanju unutrašnje temperature uređaja.
- Kako biste sprečili rasipanje hladnog vazduha iz uređaja, pokušajte da ograničite broj otvaranja vrata uređaja. Preporučujemo Vam da vrata otvarate samo kada je potrebno staviti hranu u uređaj ili je izvaditi iz njega.

Zamena sijalice

Zamenu sijalice treba da obave stručne osobe

ČIŠĆENJE

Otapanje

IMAJTE U VIDU DA OVAJ UREĐAJ NEMA AUTOMATSKI SISTEM ZA OTAPANJE

Prilikom uklanjanja leda sa isparivača, koristite plastičnu lopaticu za uklanjanje leda. Nemojte upotrebljavati oštre metalne predmete.

Čišćenje unutrašnjosti i spoljašnjosti jedinice

- Da biste unapredili efekat hlađenja i uštedu energije, redovno čistite prašinu iza frižidera i sa podloge.
- Redovno proveravajte zaptivku na vratima kako biste bili sigurni da na njoj nema prljavštine. Očistite zaptivku na vratima mekom krpom navlaženom vodom sa sapunicom ili razblaženim deterdžentom.
- Da izbegnete stvaranje neprijatnih mirisa, redovno čistite unutrašnjost frižidera.
- Pre nego što započnete sa čišćenjem unutrašnjosti frižidera, isključite ga iz struje, uklonite svu hranu, pića, police, fioke, itd.
- Za čišćenje unutrašnjosti frižidera koristite mekanu krpu ili sunder sa dve supene kašike sode bikarbone i četvrtinu litre tople vode. Zatim isperite vodom i obrišite. Nakon čišćenja, otvorite vrata i, pre nego što uređaj priključite na napajanje, ostavite ga da se prirodno osuši.
- Za čišćenje teško dostupnih delova frižidera (poput uskih otvora, proreza ili uglova), preporučuje se redovno brisanje mekom krpom, mekom četkom, itd., po potrebi u kombinaciji sa nekim pomoćnim alatom (poput tankih štapića), čime se na pomenutim mestima sprečava akumuliranje kontaminanata ili bakterija.

- Ne upotrebljavajte sapun, deterdžent, prah za čišćenje, sredstva za čišćenje u spreju, itd., jer pomenuta sredstva mogu dovesti do stvaranja neprijatnih mirisa u unutrašnjosti frižidera ili kontaminiranja hrane.
- Policu za flaše, police i fioke očistite pomoću meke krpe navlažene vodom sa sapunicom ili razblaženim deterdžentom. Osušite mekom krpom ili ostavite da se prirodno osuši.
- Spoljašnje površine frižidera prebrišite mekom krpom navlaženom vodom sa sapunicom, deterdžentom, itd., a zatim osušite krpom.
- Ne upotrebljavajte tvrde četke, čelične žice za čišćenje, žičane četke, abrazivna sredstva (poput pasta za zube), organske rastvarače (poput alkohola, acetona, ulja banane itd.), ključalu vodu ili kisela ili alkalna sredstva, koja mogu da oštete površine i unutrašnjost frižidera. Ključala voda i organski rastvarači, poput benzena, mogu da deformišu ili oštete delove od plastike.
- Tokom čišćenja, uređaj nemojte direktno ispirati vodom ili drugim tečnostima, kako biste izbegli nastanak kratkog spoja ili oštećenja na materijalima koji pružaju električnu izolaciju nakon potapanja.

Saveti za čišćenje

Na spoljašnjosti uređaja može doći do formiranja kondenza. Razlog ovome može biti promena vrednosti sobne temperature. Vlažne delove obrišite. Ukoliko ovaj problem nastavi da se javlja, za pomoć se obratite kvalifikovanom tehničkom licu.

ODRŽAVANJE

Zamena unutrašnjeg osvetljenja

Zamenu sijalice treba da obave stručne osobe.

Oprez prilikom rukovanja / prenošenja Vašeg uređaja

Prilikom prenošenja, uređaj pridržavajte oko bočnih strana ili za osnovu. Uređaj ni pod kojim uslovima ne treba podizati držeći ga za iverice gornje površine.

Servisiranje

Servisiranje uređaja treba da obavi ovlašćeno tehničko

lice, koje će tom prilikom koristiti isključivo originalne rezervne delove. Popravku uređaja ni pod kojim uslovima ne pokušavajte da obavljate sami. Popravke koje obavljaju osobe bez iskustva za rezultat mogu imati povređivanje ili ozbiljan kvar. Obratite se kvalifikovanom tehničkom licu.

Isključivanje uređaja tokom dužeg vremenskog perioda

Kada uređaj ne upotrebljavate tokom dužeg vremenskog perioda, isključite ga iz struje, ispraznite ga od hrane i očistite, a vrata delimično otvorite kako biste sprečili stvaranje neprijatnih mirisa.

OTKLANJANJE PROBLEMA

Korisnik može da sam reši jednostavne probleme navedene dalje u tekstu. Ukoliko probleme ne uspete da razrešite, pozovite sektor za usluge održavanja.

Uređaj ne radi	Proverite da li je zamrzivač uključen u struju; Nizak napon; Nestanak struje ili iskakanje osigurača
Mirisi	Hranu koja odaje jače mirise treba dobro uviti; Proverite da li se hrana pokvarila; Proverite da li je potrebno očistiti unutrašnjost uređaja.
Dugotrajan rad kompresora	Normalno je da frižider duže radi tokom leta, kada je spoljašnja temperatura viša; Ne stavljajte u zamrzivač previše hrane odjednom; Ne stavljajte hranu u uređaj dok se prethodno ne ohladi; Često otvaranje vrata frižidera.
Lampica ne svetli	Proverite da li je frižider priključen na struju, proverite da li je lampica oštećena.
Vrata frižidera se ne mogu zatvoriti na odgovarajući način.	Ambalaža sa hranom blokira vrata zamrzivača; Prevelika količina hrane; Frižider je nagnut.
Glasni zvuci	Proverite da li hrana stoji ravno i da li je frižider uravnotežen; Proverite da li su delovi frižidera postavljeni na odgovarajući način.

Saveti

- Tokom rada, naročito u letnjim mesecima, kućište frižidera može da emituje toplotu nastalu usled zračenja kondenzatora, što predstavlja uobičajeni fenomen.
- Kondenzacija: kondenz će se formirati na spoljašnjim površinama i zaptivkama na vratima zamrzivača pri uslovima

visokog stepena vlage u prostoriji. U pitanju je normalni fenomen, a kondenz se može obrisati suvom krpom.

- Zujanje: U toku rada, kompresor će zujati, posebno prilikom uključivanja ili isključivanja.

INFORMACIJE U VEZI SA UŠTEDOM ENERGIJE

Energetska upozorenja

1. Uređaji za rashlađivanje mogu postati nepouzdati tokom rada (moguće otapanje sadržaja ili razvijanje previsoke temperature u odeljku za smrznutu hranu) ukoliko se tokom dužeg vremenskog perioda drže na temperaturama nižim od vrednosti radnog temperaturnog opsega navedenog za dati uređaj za rashlađivanje.
2. Gazirana pića ne treba držati u odeljcima ili komorama za zamrzavanje ili u odeljcima ili komorama sa niskim temperaturnim vrednostima, dok određene proizvode,

poput leda, ne treba konzumirati kada su preterano hladni;


3. Neophodno je povesti računa da se prilikom čuvanja bilo kog tipa hrane koja se drži u zamrzivaču ili odeljcima ili komorama za zamrzavanje hrane, a posebno komercijalne brzo smrznute hrane, ne prekorači rok trajanja preporučen od strane proizvođača hrane.
4. Neophodno je preduzeti mere predostrožnosti radi sprečavanja nepotrebnog rasta temperature unutar smrznute hrane prilikom otapanja uređaja za rashlađivanje, poput uvijanja smrznute hrane u nekoliko

- slojeva novinske hartije.
- Porast temperature unutar smrznute hrane tokom ručnog otapanja, održavanja ili čišćenja može da skрати njen rok trajanja.
 - Ključevne za vrata ili poklopce opremljene ključaonicama i ključevima je važno držati van domašaja dece i dalje od uređaja za rashlađivanje, kako bi se sprečilo zaključavanje dece unutar uređaja.
 - Držanje otvorenih vrata tokom dužih vremenskih perioda može da dovede do značajnog porasta temperature unutar odeljaka uređaja.
 - Redovno čistite površine koje mogu da dođu u dodir sa hranom, kao i pristupačne delove odvodnih sistema.
 - Očistite posude za vodu ukoliko ih niste koristili tokom vremenskog perioda od 48 h; ukoliko tokom vremenskog perioda od 5 dana niste uzimali vodu iz uređaja, isperite sistem za protok vode povezan na dovod vode.
 - Sirovo meso i ribu unutar frižidera držite u odgovarajućim posudama kako ove namirnice ne bi došle u dodir sa ili kako ne bi kapale po ostaloj hrani.
 - Ukoliko će uređaj za rashlađivanje biti prazan tokom dužeg vremenskog perioda, isključite ga, odledite, očistite i osušite, a zatim ostavite vrata uređaja otvorenim kako biste sprečili razvoj buđi u unutrašnjosti uređaja.

ODLAGANJE

Stari uređaji i dalje imaju određenu rezidualnu vrednost. Primenom načina odlaganja kojim se štiti životna sredina omogućićete ponovno iskorišćenje i upotrebu vrednih sirovina. Rashladno sredstvo koje se upotrebljava u okviru Vašeg uređaja i izolacioni materijali zahtevaju primenu posebnih procedura za odlaganje. Pre nego što ga odložite, uverite se da nijedna cev na zadnjem delu uređaja nije oštećena. Ažurirane podatke o opcijama za odlaganje Vašeg starog uređaja i ambalaže novog uređaja možete dobiti u kancelarijama Vaših lokalnih vlasti.

Prilikom odlaganja starog uređaja, slomite sve stare brave ili kvake i uklonite vrata kao meru predostrožnosti.

Pravilno odlaganje ovog proizvoda	
	<p>Pravilno odlaganje ovog proizvoda</p> <p>Ova oznaka ukazuje da u EU ovaj proizvod ne treba odlagati zajedno sa ostalim otpadom iz domaćinstva. Kako biste sprečili potencijalnu štetu po životnu sredinu ili zdravlje ljudi nastalu nekontrolisanim odlaganjem otpada, odgovorno ga reciklirajte kako biste promovisali održivu ponovnu upotrebu materijalnih resursa. Molimo Vas da svoj polovni uređaj vratite putem sistema za vraćanje i prikupljanje otpada ili da kontaktirate prodavnicu u kojoj ste proizvod kupili. Ovim putem se proizvod može reciklirati na način bezbedan po životnu sredinu.</p>

Za dodatne informacije, kontaktirajte svoje lokalne vlasti ili prodavnicu u kojoj ste proizvod kupili.

Tabela 1. Klimatske klase

Klasa	Simbol	Raspon sobne temperature °C
Prošireno umerena	SN	+ 10 do + 32
Umerena	N	+ 16 do +32
Suptropska	ST	+ 16 do + 38
Tropska	T	+ 16 do + 43

Prošireno umerena: „ovaj uređaj za rashlađivanje je namenjen za upotrebu pri ambijentalnim temperaturama koje se kreću u opsegu od 10°C do 32°C“;

Umerena: „ovaj uređaj za rashlađivanje je namenjen za upotrebu pri ambijentalnim temperaturama koje se kreću u opsegu od 16°C do 32°C“;

Suptropska: „ovaj uređaj za rashlađivanje je namenjen za upotrebu pri ambijentalnim temperaturama koje se kreću u opsegu od 16°C do 38°C“;

Tropska: „ovaj uređaj za rashlađivanje je namenjen za upotrebu pri ambijentalnim temperaturama koje se kreću u opsegu od 16°C do 43°C“;

TESLA

tesla.info

